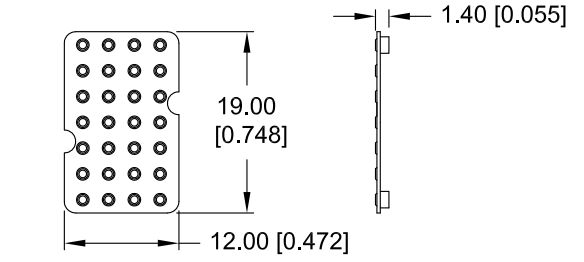
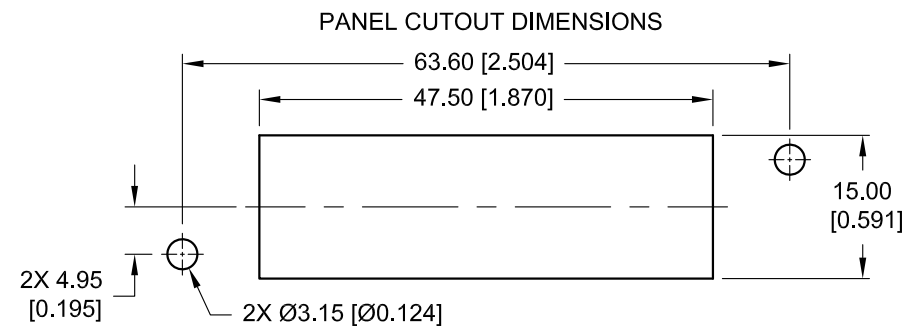
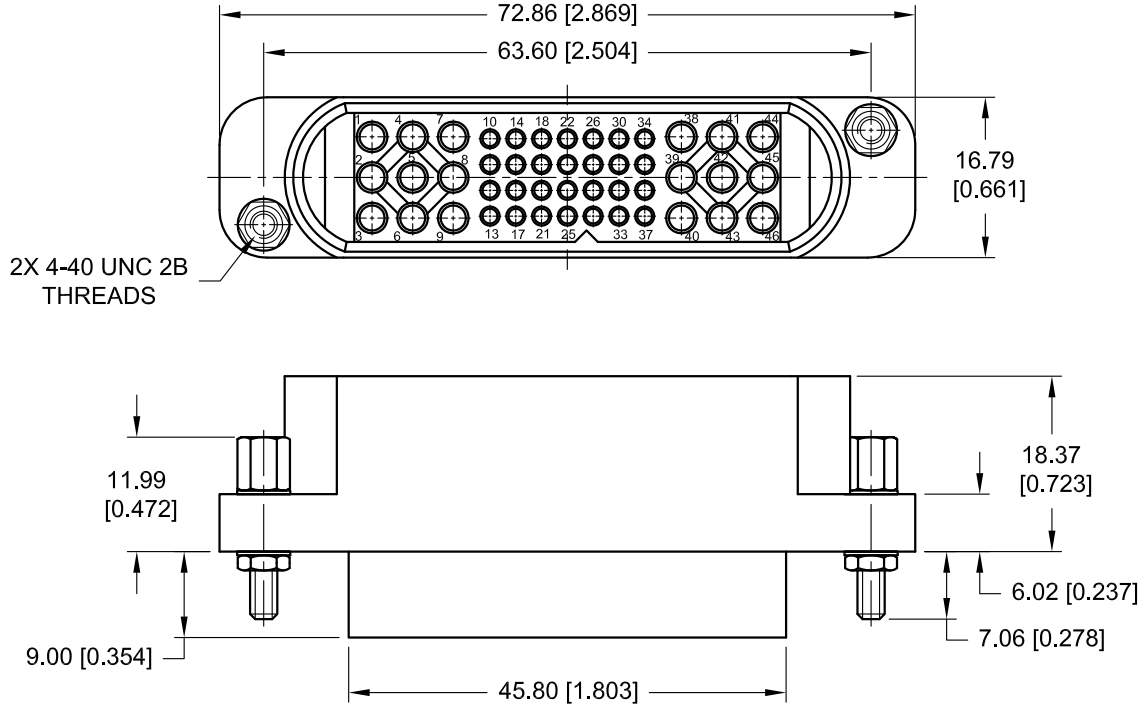


POSITRONIC ASIA PTE. LTD. BELIEVES THE DATA ON THE DRAWING TO BE RELIABLE. SINCE THE TECHNICAL INFORMATION IS GIVEN FREE OF CHARGE, THE USER EMPLOYS SUCH INFORMATION AT HIS OWN DISCRETION AND RISK. POSITRONIC ASIA PTE. LTD. ASSUMES NO RESPONSIBILITY FOR RESULTS OBTAINED OR DAMAGES INCURRED FROM USE OF SUCH INFORMATION IN WHOLE OR IN PART.

DATE	REV	REVISION RECORD	DRN	CKD	APP
04 JUL 06	NC	PA ECO 06149	EH	KS	EC
12 DEC 06	A	PA ECO 06260	EH	KM	KS
01 OCT 07	B	PA ECO 07203	EH	KM	KS
06 OCT 08	C	PA ECO 08208	EH	RG	NK
15 DEC 08	D	PA ECO 08277	EH	RG	NK



KITTED WITH ONE ALIGNMENT INSERT AND ONE INSTRUCTION LABEL

- NOTES:**
- MATERIALS AND FINISHES:**  
 INSULATOR: GLASS-FILLED NYLON, UL94 V-0. COLOR: ORANGE.  
 CONTACTS: PRECISION MACHINED COPPER ALLOY WITH GOLD OVER NICKEL PLATE.  
 ORDER CONTACTS SEPARATELY.  
 SOCKETS: STEEL, ZINC PLATE WITH DICHROMATE SEAL (FOR NON RoHS PART).  
 STEEL, ZINC PLATE WITH CHROMATE SEAL (FOR RoHS PART).  
 INTERNAL TOOTH LOCKWASHERS: PHOSPHOR BRONZE, ZINC PLATE WITH DICHROMATE SEAL (FOR NON RoHS PART).  
 PHOSPHOR BRONZE, ZINC PLATE WITH CHROMATE SEAL (FOR RoHS PART).  
 HEX NUTS: BRASS, ZINC PLATE WITH DICHROMATE SEAL (FOR NON RoHS PART).  
 BRASS, ZINC PLATE WITH CHROMATE SEAL (FOR RoHS PART).  
 ALIGNMENT INSERT: GLASS-FILLED NYLON, UL94 V-0. COLOR: ORANGE.

DRAWING NO.	PART NUMBER	REMARKS
ASK20755-1	GFSH928M1T	-
ASK20755-2	GFSH928M1T/AA	RoHS COMPLIANT PER RoHS DIRECTIVE 2002/95/EC OF 27 JAN 2003.

**POSITRONIC ASIA PTE. LTD.**  
 3014A UBI ROAD 1, #07-01. SINGAPORE 408703.  
 Tel: (65) 6842-1419 / Fax: (65) 6842-1421 / Email: singapore@connectpositronic.com

 GENERAL TOL. LINEAR : ±0.38 [0.015] ANGULAR : ±5°	SERIES <b>GFSH</b>	SCALE NTS	DRAWN EH	CHECKED KS	APPROVED EC
TITLE <b>GFSH928M1T</b> <b>GFSH928M1T/AA</b>		DATE <b>04 JUL 06</b>		DRAWING NUMBER <b>ASK20755-* SHEET 1 OF 1</b>	
UNLESS OTHERWISE SPECIFIED, ALL DIMENSIONS ARE IN MILLIMETERS [INCHES]		REV. <b>D</b>			

Unless otherwise stated, Positronic code and part number are marked on each connector. The contents of the code are subjected to the discretion of Positronic Asia Pte Ltd and It is for Internal use only. Marking may be done on either side or both sides of the connector.