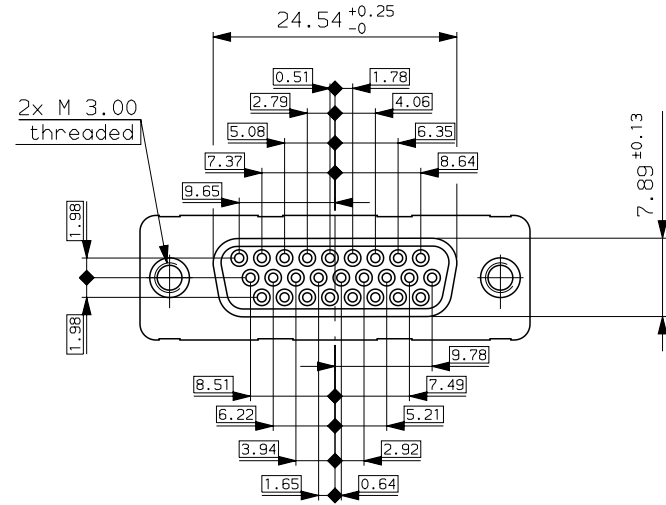
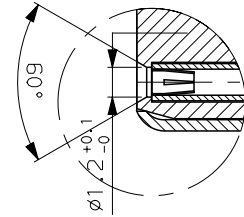
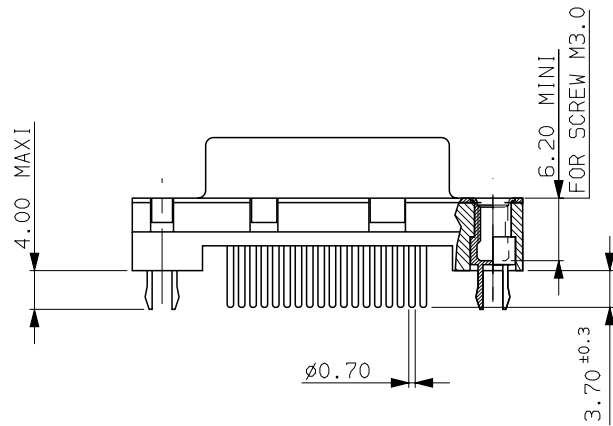
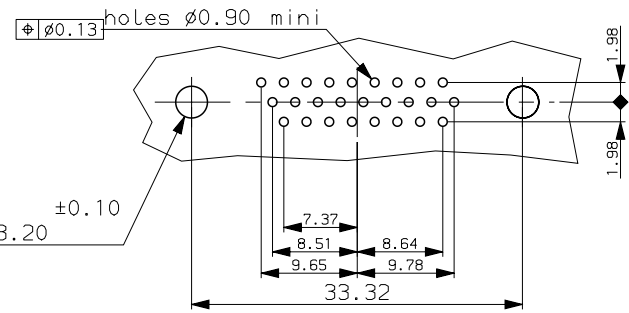


DETAIL A scale 5



PC card drilling dimensions (connector side view)
thickness 2.40 mm -pattern idem connector



REQUIREMENTS

Technical characteristics:

Shell: steel tin plated
 Insulators: self-extinguishing thermoplastic, ULClass94V0
 Contacts size 22: beryllium copper+brass, 0.76µ gold on mating end, bright tin on termination end over nickel on entire contact

Cycles: 500
 gauge retention force: 0.20N mini

Accessories:

Nuts : M3.00 with harpoon, tin plated
 retention against torque 0.70N.m minimum

Electrical characteristics:

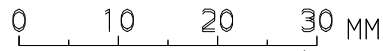
max. current rating: 5A
 Test voltage: 1000V
 Rated voltage: 300V
 Contact resistance: ≤10ma
 Shell resistance: ≤5ma
 Insulation resistance: ≥5000Ma

Climatic characteristics:

Operating temperature range: -55°C +125°C

Dimensions:

in accordance with MIL-C-24308C and DIN41652



Part number	CD26S44B6GL7B		
C	04-12-96	Modified termination diam. : 0.65-->0.70	--
ISS	DATE	Latest modification by : LEN01R	MOD N°
Designed by: LEN01R		date: 2/01/95	Type of drawing: CLIENT
TITLE : COMPACT-D FEMALE CONNECTOR size 26			SHEET 01
SCALE: 2.0 specifics right spills -nut/harpoon			
	FRAMATOME CONNECTORS FRANCE Rue Louis Breguet - BP 05 72024 LE MANS Cedex Tel. 33 (16) 43.84.08.43		This document is the property of FRAMATOME CONNECTORS FRANCE It must not be reproduced or communicated without permission in writing from the owners
FORMAT A3	SOURIAU DRG N° C01-8646-0338	PROJECT M94D002	