

Right-angle through hole type female connector for PCB  
 HDR-EC( )LFD T( )-( )+

For PCB

Right-angle Through hole

RoHS

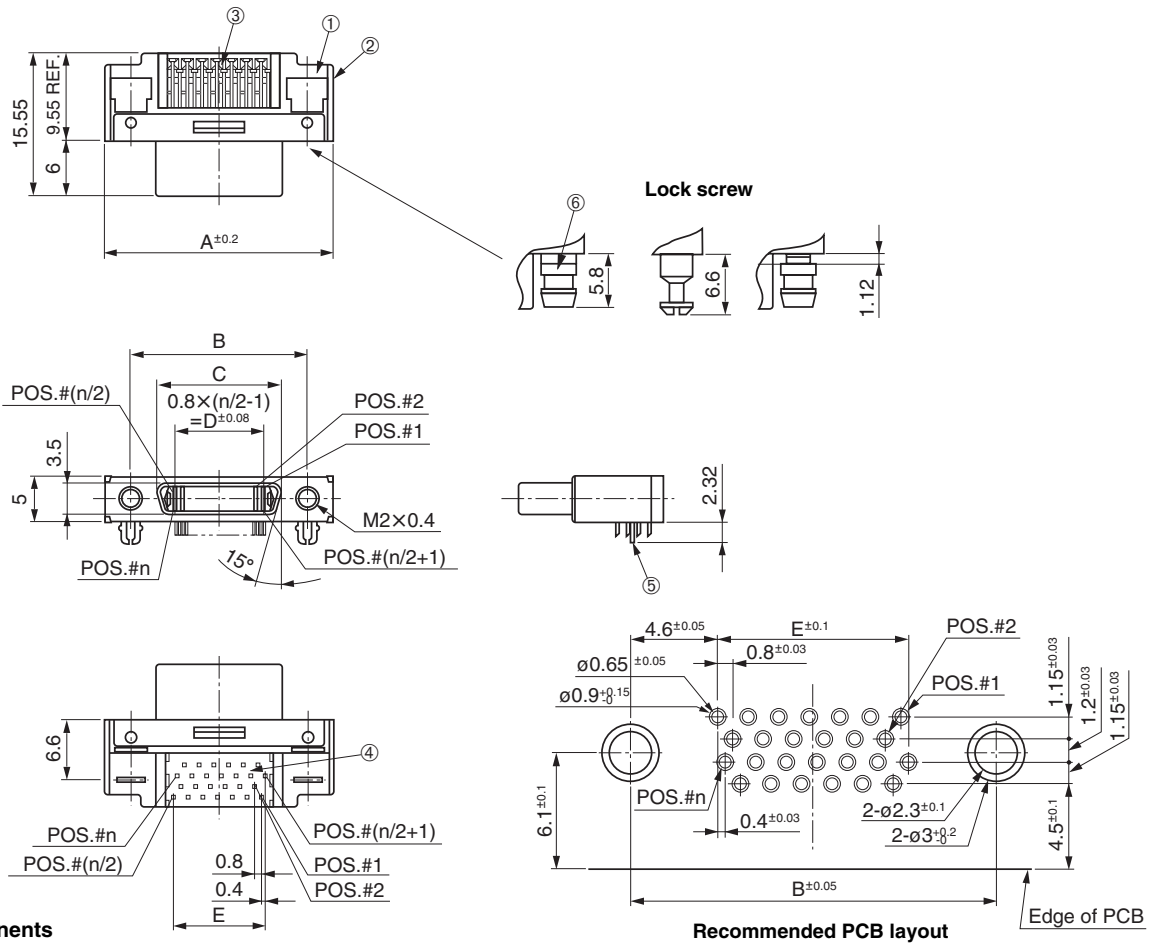
EMI shielded



● Configuration of product Part No.

**HDR- EC ( ) LFD T ( ) - ( ) +**

- ① Series name
- ② No. of contacts: 14, 26 or 50
- ③ Type of contact  
LFD: Right-angle through hole type, female
- ④ With ground contact
- ⑤ Through hole length, contact plating  
Blank : 1.65 mm, } Min. 0.1 μm Gold plate  
1 : 2.08 mm, } + Min. 0.5 μm Palladium alloy  
G2 : 2.08 mm, Min. 0.76 μm Gold plate
- ⑥ Lock screw  
Blank: None  
SLD : Screw lock  
SLE : Spring lock  
SLG : Screw lock  
(Panel thickness: 1.12 mm)



● Components

①	Shell
②	Insulator
③	Contacts
④	Bracket
⑤	Board lock
⑥	Lock screw

● Dimensions

Part No.	A	B	C	D	E
HDR-EC14LFD T( )-( )+	20	14.4	8.8	$0.8 \times 6 = 4.8$	5.2
HDR-EC26LFD T( )-( )+	24.8	19.2	13.6	$0.8 \times 12 = 9.6$	10
HDR-EC50LFD T( )-( )+	34.4	28.8	23.2	$0.8 \times 24 = 19.2$	19.6

Mating connector: HDR series male connector