

# Power Inductor CDEIR85ME



## ■ Features

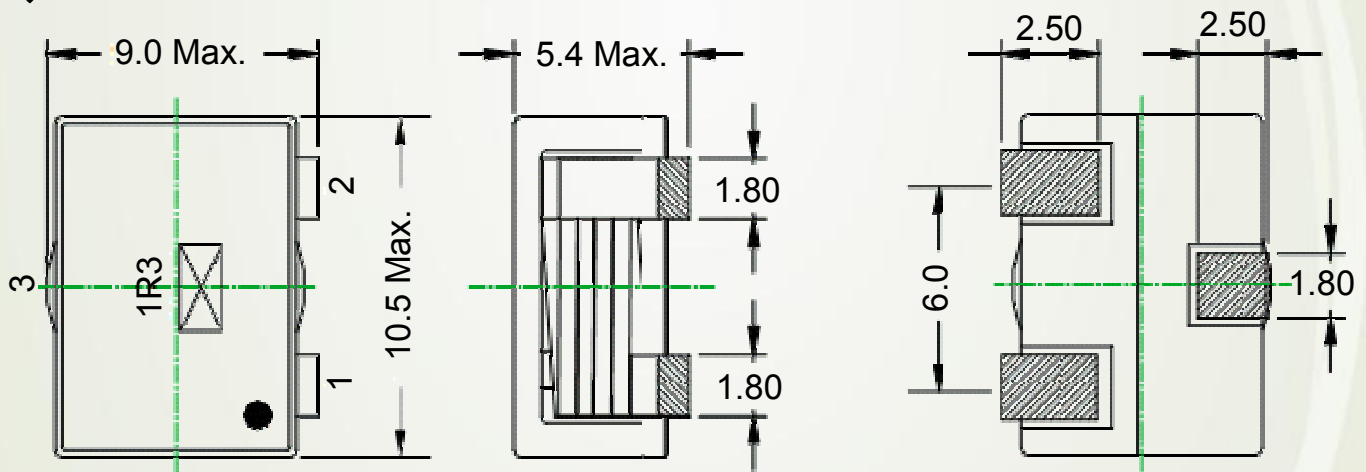
- ◎ Magnetically shielded construction.
- ◎ Storage temperature range:  $-40^{\circ}\text{C}\sim+125^{\circ}\text{C}$ .
- ◎ Operating temperature range:  $-40^{\circ}\text{C}\sim+125^{\circ}\text{C}$  (including coil's self-heat).
- ◎ RoHS Compliance.

## ■ Applications

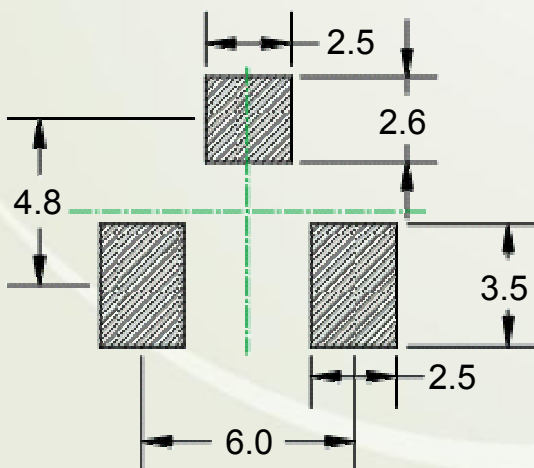
Ideally used in Notebook、PDA and other portable device.

## ■ Shapes and Dimensions/Recommended Land Patterns(mm)

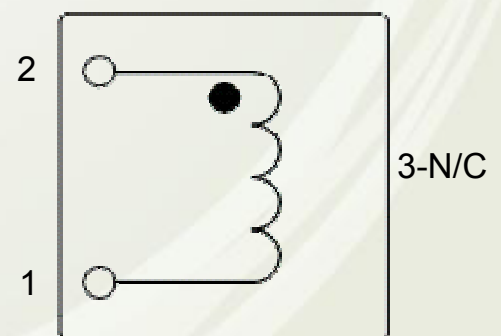
### ◆ Dimensions



### ◆ Land pattern



### ◆ Schematics (Bottom)



# Power Inductor CDEIR85ME



## ■Electrical Characteristics specification.

Sumida P/N	Inductance ( $\mu$ H) at 100KHz	D.C.R. ( $m\Omega$ ) Max. (Typ.) at 20°C	Saturation Current (A) ※1	Temperature Rise Current (A) ※2
CDEIR85ME-1R3MC	1.3 $\pm$ 20%	2.6 (2.2)	13.4	15.3

※1、 Saturation Current: This indicates the value of DC current when the inductance decreases to 75% of its nominal value.

※2、 Temperature Rise Current: The actual current when temperature of coil becomes  $\Delta T=40^{\circ}\text{C}$ . ( $T_a=20^{\circ}\text{C}$ )

### For More Information

#### Hong Kong

Tel.+852-2880-6688  
FAX.+852-2565-9600

#### Shanghai

Tel.+86-021-58363299  
FAX.+86-021-58363266

#### Shenzhen

Tel.+86-755-82910228  
FAX.+86-755-82910338

#### Taipei

Tel.+886-2-27065228  
FAX.+886-2-27065229

#### Tokyo

Tel.+81-3-5202-7112  
FAX.+81-3-5202-7105

#### Seoul

Tel.+82-2-6237-0777  
FAX.+82-2-6237-0778

#### Singapore

Tel.+65-6296-3388  
FAX.+65-6296-3390

#### Malaysia

Tel.+60-3-8733-0900  
FAX.+60-3-8737-7384

#### Chicago

Tel.+1-847-545-6700  
FAX. +1-847-545-6720

#### California

Tel.+1-408-321-9660  
FAX. +1-408-321-9308