

SMD INDUCTOR DR337-1 SERIES

Features

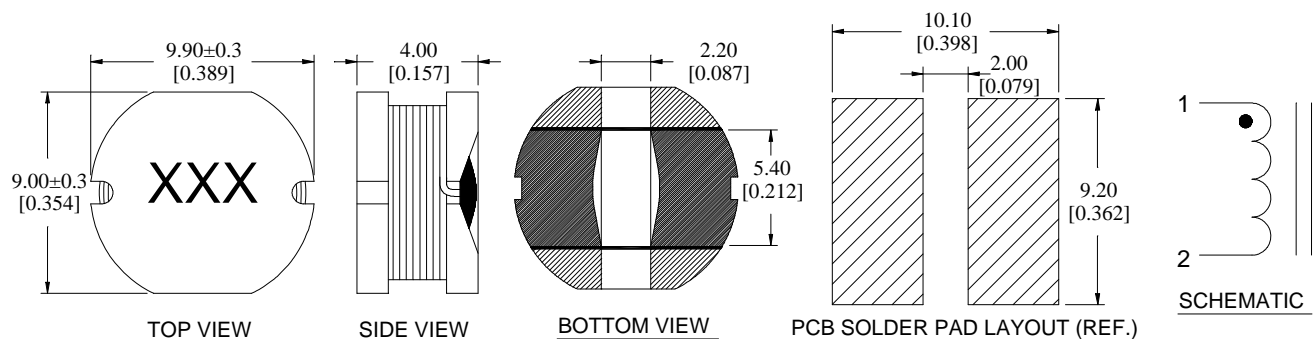
- Low Profile Surface Mount Design
- Flat Top for Pick and Place
- Inductance Range from 10 μ H to 560 μ H
- Operating Temp. -20°C to +80°C
- Tinned Leads with Leaded Solder is Available (note 6)



ELECTRICAL SPECIFICATIONS AT 25°C

| PART No. | INDUCTANCE (μ H) | DCR (Ω) Max. | RATED CURRENT (A) Max. |
|-------------|------------------------------|-----------------------|------------------------|
| DR337-1-103 | 10 \pm 20% @ 2.52MHz, 0.1V | 0.053 | 2.40 |
| DR337-1-123 | 12 \pm 20% @ 2.52MHz, 0.1V | 0.061 | 2.20 |
| DR337-1-153 | 15 \pm 20% @ 2.52MHz, 0.1V | 0.070 | 1.90 |
| DR337-1-183 | 18 \pm 20% @ 2.52MHz, 0.1V | 0.081 | 1.80 |
| DR337-1-223 | 22 \pm 20% @ 2.52MHz, 0.1V | 0.088 | 1.60 |
| DR337-1-273 | 27 \pm 20% @ 2.52MHz, 0.1V | 0.100 | 1.50 |
| DR337-1-333 | 33 \pm 20% @ 2.52MHz, 0.1V | 0.120 | 1.30 |
| DR337-1-393 | 39 \pm 20% @ 2.52MHz, 0.1V | 0.151 | 1.20 |
| DR337-1-473 | 47 \pm 10% @ 2.52MHz, 0.1V | 0.170 | 1.10 |
| DR337-1-563 | 56 \pm 10% @ 2.52MHz, 0.1V | 0.199 | 1.00 |
| DR337-1-683 | 68 \pm 10% @ 2.52MHz, 0.1V | 0.223 | 0.91 |
| DR337-1-823 | 82 \pm 10% @ 2.52MHz, 0.1V | 0.252 | 0.85 |
| DR337-1-104 | 100 \pm 10% @ 1kHz, 0.1V | 0.344 | 0.74 |
| DR337-1-124 | 120 \pm 10% @ 1kHz, 0.1V | 0.396 | 0.69 |
| DR337-1-154 | 150 \pm 10% @ 1kHz, 0.1V | 0.544 | 0.61 |
| DR337-1-184 | 180 \pm 10% @ 1kHz, 0.1V | 0.621 | 0.56 |
| DR337-1-224 | 220 \pm 10% @ 1kHz, 0.1V | 0.721 | 0.53 |
| DR337-1-274 | 270 \pm 10% @ 1kHz, 0.1V | 0.949 | 0.45 |
| DR337-1-334 | 330 \pm 10% @ 1kHz, 0.1V | 1.100 | 0.42 |
| DR337-1-394 | 390 \pm 10% @ 1kHz, 0.1V | 1.245 | 0.38 |
| DR337-1-474 | 470 \pm 10% @ 1kHz, 0.1V | 1.526 | 0.35 |
| DR337-1-564 | 560 \pm 10% @ 1kHz, 0.1V | 1.904 | 0.32 |

MECHANICAL OUTLINES



NOTES:

1. All dimensions are shown in millimeters "mm" [inches "in"].
2. General tolerance \pm 0.25mm [0.010 IN.], unless otherwise specified.
3. Tape and reel quantity, 750 pcs/reel.
4. Terminal finish is compliant to RoHS requirements
5. Solder in accordance with J-STD-002 Rev. D
6. Non-RoHS series parts 42-337-1-XXX are finished with leaded solder Sn60Pb40 or equivalent