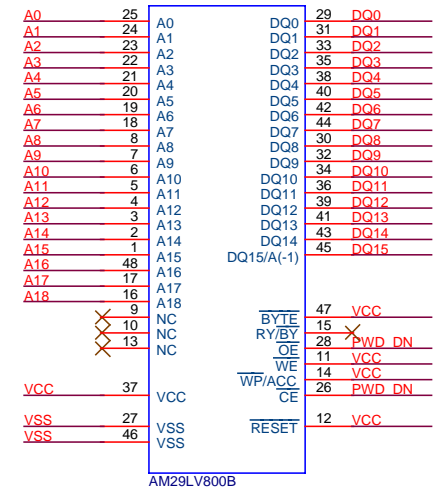
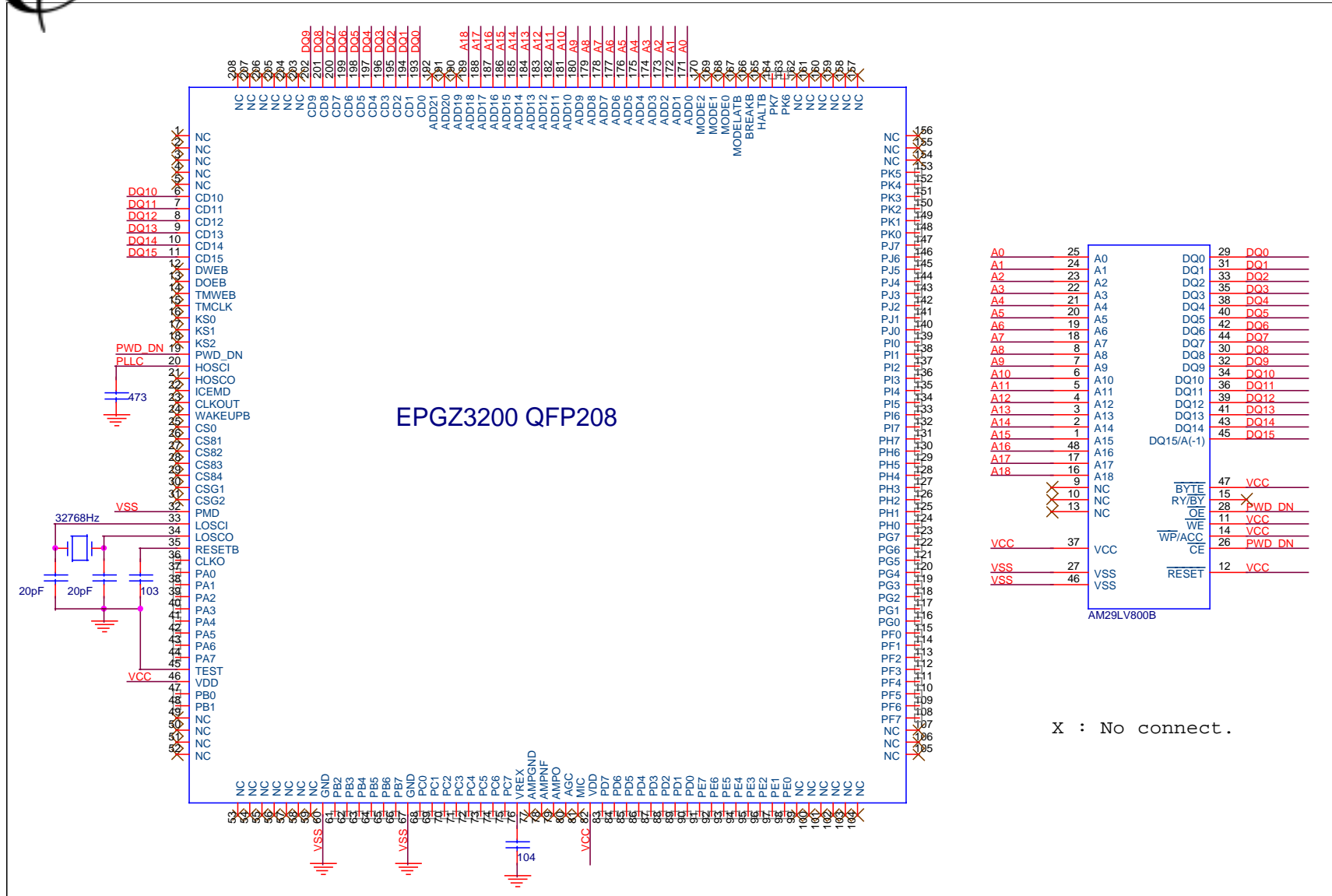




義隆電子股份有限公司 ELAN MICROELECTRONICS CORP.

HSIN-CHU: NO. 12, INNOVATION RD. 1,
SCIENCE-BASED INDUSTRIAL PARK,
HSINCHU, TAIWAN, R. O. C.
TEL: 886-3-5639977
FAX: 886-3-5780617



X : No connect.

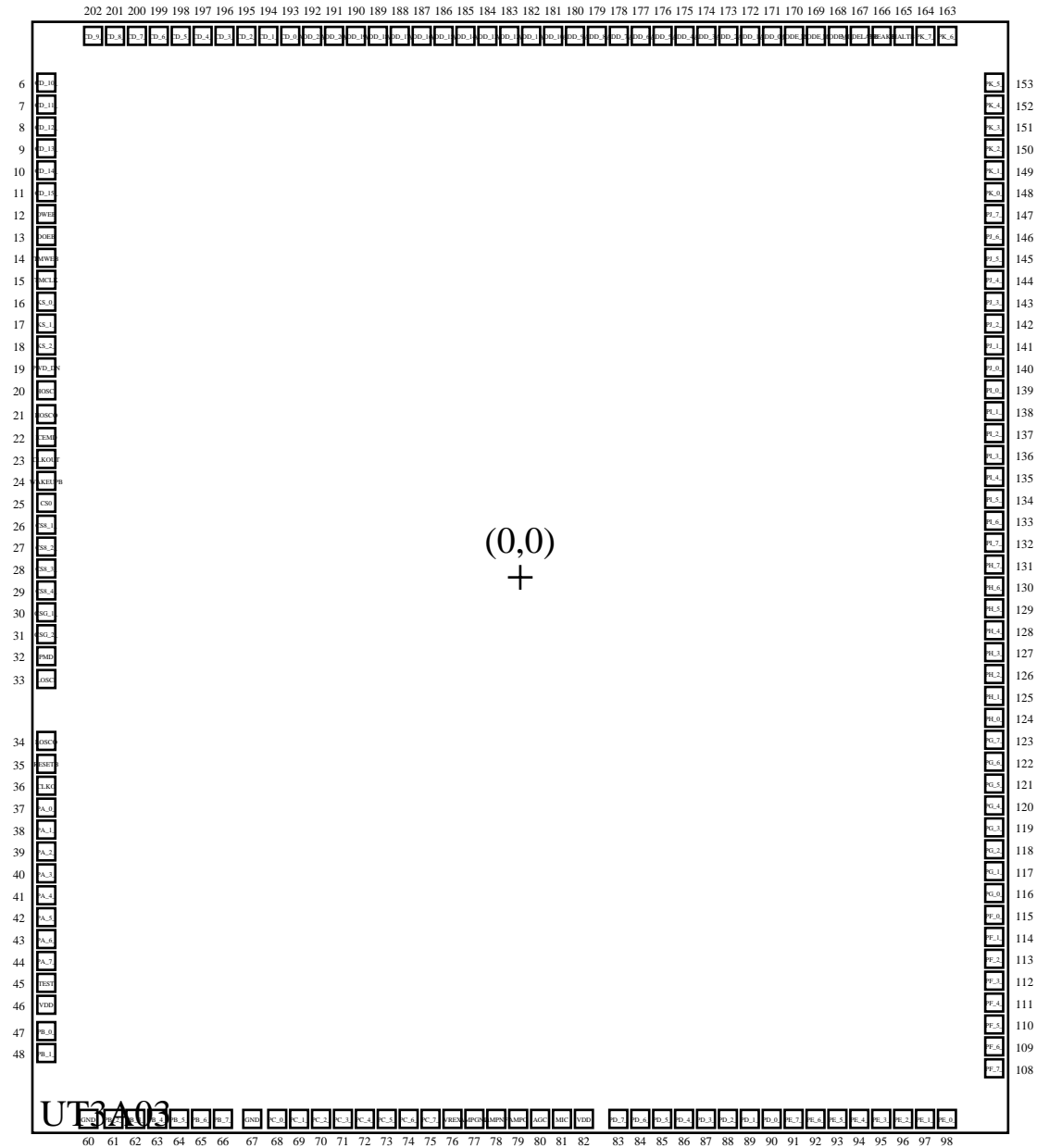
(1)EM NO: EPGZ3230

E* NO: UT3A03T1/T2

Date : May 27 2002

Chip Size: 5010 * 5690 UM

(2)Pad Configuration



UT3A03 Pad Name & Cordinates Table		
Structure Name: UT3A03 Chip Size: 5010 * 5690 UM		
Pin No	Pad Name	Coordinate (X , Y)
1		
2		
3		
4		
5		
6	CD_10_	-2380.1 ,2484.7
7	CD_11_	-2380.1 ,2374.6
8	CD_12_	-2380.1 ,2264.6
9	CD_13_	-2380.1 ,2154.6
10	CD_14_	-2380.1 ,2044.6
11	CD_15_	-2380.1 ,1934.6
12	DWEB	-2380.1 ,1824.6
13	DOEB	-2380.1 ,1714.6
14	TMWEB	-2380.1 ,1604.6
15	TMCLK	-2380.1 ,1494.6
16	KS_0_	-2380.1 ,1384.6
17	KS_1_	-2380.1 ,1274.6
18	KS_2_	-2380.1 ,1164.6
19	PWD_DN	-2380.1 ,1054.6
20	HOSCI	-2380.1 ,939.6
21	HOSCO	-2380.1 ,819.6
22	ICEMD	-2380.1 ,704.6
23	CLKOUT	-2380.1 ,594.6
24	WAKEUPB	-2380.1 ,484.6
25	CS0	-2380.1 ,374.6

UT3A03 Pad Name & Cordinates Table		
Structure Name: UT3A03 Chip Size:5010 * 5690 UM		
Pin No	Pad Name	Coordinate (X , Y)
26	CS8_1_	-2380.1 ,264.6
27	CS8_2_	-2380.1 ,154.6
28	CS8_3_	-2380.1 ,44.5
29	CS8_4_	-2380.1 ,-65.5
30	CSG_1_	-2380.1 ,-175.5
31	CSG_2_	-2380.1 ,-285.5
32	PMD	-2380.1 ,-395.5
33	LOSCI	-2380.1 ,-510.5
34	LOSCO	-2380.1 ,-821.4
35	RESETB	-2380.1 ,-936.4
36	CLKO	-2380.1 ,-1046.4
37	PA_0_	-2380.1 ,-1156.4
38	PA_1_	-2380.1 ,-1266.4
39	PA_2_	-2380.1 ,-1376.5
40	PA_3_	-2380.1 ,-1486.5
41	PA_4_	-2380.1 ,-1596.5
42	PA_5_	-2380.1 ,-1706.5
43	PA_6_	-2380.1 ,-1816.5
44	PA_7_	-2380.1 ,-1926.5
45	TEST	-2380.1 ,-2036.5
46	VDD	-2380.1 ,-2146.5
47	PB_0_	-2380.1 ,-2278.9
48	PB_1_	-2380.1 ,-2388.9
49		
50		

UT3A03 Pad Name & Cordinates Table		
Structure Name: UT3A03 Chip Size:5010 * 5690 UM		
Pin No	Pad Name	Coordinate (X , Y)
51		
52		
53		
54		
55		
56		
57		
58		
59		
60	GND	-2168.6 ,-2719.7
61	PB_2_	-2043.1 ,-2719.7
62	PB_3_	-1933.1 ,-2719.7
63	PB_4_	-1823.1 ,-2719.7
64	PB_5_	-1713.1 ,-2719.7
65	PB_6_	-1603.1 ,-2719.7
66	PB_7_	-1493.1 ,-2719.7
67	GND	-1346.0 ,-2719.7
68	PC_0_	-1220.5 ,-2719.7
69	PC_1_	-1110.5 ,-2719.7
70	PC_2_	-1000.5 ,-2719.7
71	PC_3_	-890.5 ,-2719.7
72	PC_4_	-780.5 ,-2719.7
73	PC_5_	-670.5 ,-2719.7
74	PC_6_	-560.5 ,-2719.7
75	PC_7_	-450.5 ,-2719.7

UT3A03 Pad Name & Cordinates Table		
Structure Name: UT3A03 Chip Size:5010 * 5690 UM		
Pin No	Pad Name	Coordinate (X , Y)
76	VREX	-340.5 ,-2719.7
77	AMPGND	-230.5 ,-2719.7
78	AMPNF	-120.4 ,-2719.7
79	AMPO	-10.4 ,-2719.7
80	AGC	99.6 ,-2719.7
81	MIC	209.6 ,-2719.7
82	VDD	319.6 ,-2719.7
83	PD_7_	492.7 ,-2719.7
84	PD_6_	602.7 ,-2719.7
85	PD_5_	712.7 ,-2719.7
86	PD_4_	822.7 ,-2719.7
87	PD_3_	932.7 ,-2719.7
88	PD_2_	1042.7 ,-2719.7
89	PD_1_	1152.7 ,-2719.7
90	PD_0_	1262.7 ,-2719.7
91	PE_7_	1372.7 ,-2719.7
92	PE_6_	1482.7 ,-2719.7
93	PE_5_	1592.7 ,-2719.7
94	PE_4_	1702.7 ,-2719.7
95	PE_3_	1812.7 ,-2719.7
96	PE_2_	1922.7 ,-2719.7
97	PE_1_	2032.7 ,-2719.7
98	PE_0_	2142.7 ,-2719.7
99		
100		

UT3A03 Pad Name & Cordinates Table		
Structure Name: UT3A03 Chip Size:5010 * 5690 UM		
Pin No	Pad Name	Coordinate (X , Y)
101		
102		
103		
104		
105		
106		
107		
108	PF_7_	2380.1 ,-2465.5
109	PF_6_	2380.1 ,-2355.5
110	PF_5_	2380.1 ,-2245.5
111	PF_4_	2380.1 ,-2135.5
112	PF_3_	2380.1 ,-2025.5
113	PF_2_	2380.1 ,-1915.5
114	PF_1_	2380.1 ,-1805.5
115	PF_0_	2380.1 ,-1695.5
116	PG_0_	2380.1 ,-1585.5
117	PG_1_	2380.1 ,-1475.5
118	PG_2_	2380.1 ,-1365.5
119	PG_3_	2380.1 ,-1255.5
120	PG_4_	2380.1 ,-1145.5
121	PG_5_	2380.1 ,-1035.6
122	PG_6_	2380.1 ,-925.5
123	PG_7_	2380.1 ,-815.5
124	PH_0_	2380.1 ,-705.5
125	PH_1_	2380.1 ,-595.5

UT3A03 Pad Name & Cordinates Table		
Structure Name: UT3A03 Chip Size:5010 * 5690 UM		
Pin No	Pad Name	Coordinate (X , Y)
126	PH_2_	2380.1 ,-485.4
127	PH_3_	2380.1 ,-375.4
128	PH_4_	2380.1 ,-265.4
129	PH_5_	2380.1 ,-155.4
130	PH_6_	2380.1 ,-45.4
131	PH_7_	2380.1 ,64.6
132	PI_7_	2380.1 ,174.6
133	PI_6_	2380.1 ,284.6
134	PI_5_	2380.1 ,394.6
135	PI_4_	2380.1 ,504.6
136	PI_3_	2380.1 ,614.6
137	PI_2_	2380.1 ,724.6
138	PI_1_	2380.1 ,834.6
139	PI_0_	2380.1 ,944.6
140	PJ_0_	2380.1 ,1054.5
141	PJ_1_	2380.1 ,1164.7
142	PJ_2_	2380.1 ,1274.7
143	PJ_3_	2380.1 ,1384.7
144	PJ_4_	2380.1 ,1494.7
145	PJ_5_	2380.1 ,1604.7
146	PJ_6_	2380.1 ,1714.7
147	PJ_7_	2380.1 ,1824.7
148	PK_0_	2380.1 ,1934.7
149	PK_1_	2380.1 ,2044.6
150	PK_2_	2380.1 ,2154.6

UT3A03 Pad Name & Cordinates Table		
Structure Name: UT3A03 Chip Size:5010 * 5690 UM		
Pin No	Pad Name	Coordinate (X , Y)
151	PK_3_	2380.1 ,2264.6
152	PK_4_	2380.1 ,2374.6
153	PK_5_	2380.1 ,2484.6
154		
155		
156		
157		
158		
159		
160		
161		
162		
163	PK_6_	2144.9 ,2719.7
164	PK_7_	2034.9 ,2719.7
165	HALTB	1924.9 ,2719.7
166	BREAKB	1814.9 ,2719.7
167	MODELATB	1704.9 ,2719.7
168	MODE_0_	1594.9 ,2719.7
169	MODE_1_	1484.9 ,2719.7
170	MODE_2_	1374.9 ,2719.7
171	ADD_0_	1264.9 ,2719.7
172	ADD_1_	1154.9 ,2719.7
173	ADD_2_	1044.9 ,2719.7
174	ADD_3_	934.9 ,2719.7
175	ADD_4_	824.9 ,2719.7

UT3A03 Pad Name & Cordinates Table		
Structure Name: UT3A03 Chip Size:5010 * 5690 UM		
Pin No	Pad Name	Coordinate (X , Y)
176	ADD_5_	714.9 ,2719.7
177	ADD_6_	604.9 ,2719.7
178	ADD_7_	494.9 ,2719.7
179	ADD_8_	384.9 ,2719.7
180	ADD_9_	274.9 ,2719.7
181	ADD_10_	164.9 ,2719.7
182	ADD_11_	54.9 ,2719.7
183	ADD_12_	-55.1 ,2719.7
184	ADD_13_	-165.1 ,2719.7
185	ADD_14_	-275.1 ,2719.7
186	ADD_15_	-385.1 ,2719.7
187	ADD_16_	-495.1 ,2719.7
188	ADD_17_	-605.1 ,2719.7
189	ADD_18_	-715.1 ,2719.7
190	ADD_19_	-825.1 ,2719.7
191	ADD_20_	-935.1 ,2719.7
192	ADD_21_	-1045.1 ,2719.7
193	CD_0_	-1155.1 ,2719.7
194	CD_1_	-1265.1 ,2719.7
195	CD_2_	-1375.1 ,2719.7
196	CD_3_	-1485.1 ,2719.7
197	CD_4_	-1595.1 ,2719.7
198	CD_5_	-1705.1 ,2719.7
199	CD_6_	-1815.1 ,2719.7
200	CD_7_	-1925.1 ,2719.7

