

LCD controller driver for dot matrix displays

BU97701/BU97702

The BU97701 and BU97702 are controller drivers used in dot matrix liquid crystal displays that display English-language characters, Japanese kana characters, and symbols. These products can be controlled by a 4-bit or an 8-bit MPU. All of the functions necessary to drive dot matrix displays are contained on a single chip, enabling liquid crystal displays to be configured with a small number of chips. These products are available in QFP-T80 (BU97701-00) and SQFP-T80 (BU97702-00) packages.

●Applications

Liquid crystal display systems for character displays

●Features

- 1) Can accommodate 5×7 and 5×10 dot matrix LCDs.
- 2) Equipped with an internal display data RAM of 80×8 bits; an expansion driver (BU9706KS) can be used to expand the display up to 80 characters.
- 3) Internal display data ROM of 12,000 bits
- 4) Diverse variety of functions includes display clear, cursor home, display on / off, display character blink, display shift, and others.

●Absolute maximum ratings (Ta=25°C)

Parameter	Symbol	Limits	Unit
Power supply voltage	V _{DD}	-0.3~+7.0	V
Power dissipation	BU97701	900*1	mW
	BU97702	800*2	
Operating temperature	T _{opr}	-20~+75	°C
Storage temperature	T _{stg}	-55~+125	°C

*1 Reduced by 9.0 mW for each increase in Ta of 1°C over 25°C. (QFP-T80).

*2 Reduced by 8.0 mW for each increase in Ta of 1°C over 25°C. (SQFP-T80).

●Recommended operating conditions (Ta=25°C)

Parameter	Symbol	Min.	Typ.	Max.	Unit
Power supply voltage	V _{DD}	4.5	—	5.5	V

●Model name

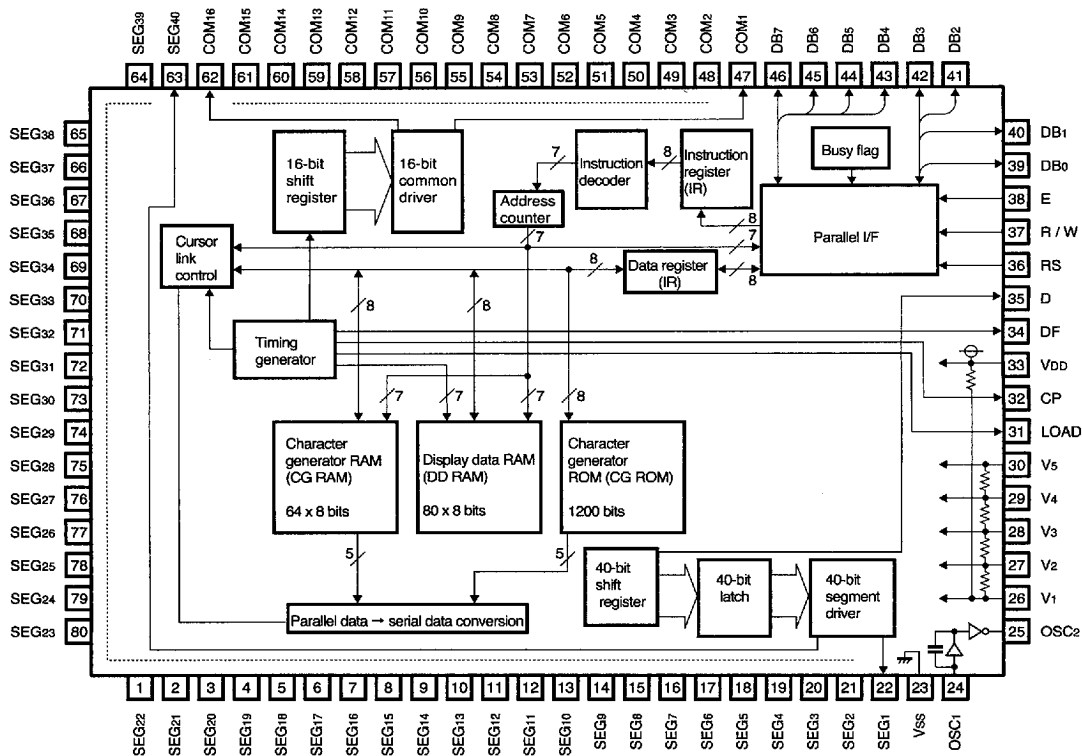
Model Number	Built-in font
BU97701-00/BU97702-00	ROM Ver.00
BU97701-01/BU97702-01	ROM Ver.01
BU97701-02/BU97702-02	ROM Ver.02

7828999 0021548 5T6

ROHM

297

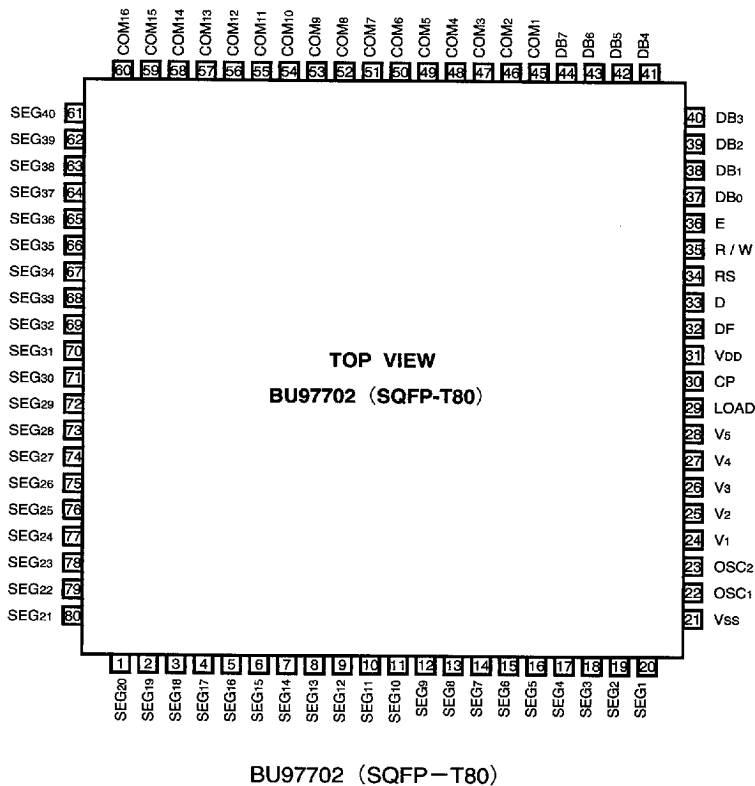
● Block diagram



BU97701 (QFP-T80)

7828999 0021549 432

● Pin layout



LCD drivers (Single chip controller drivers)

LCD drivers

7828999 0021550 154

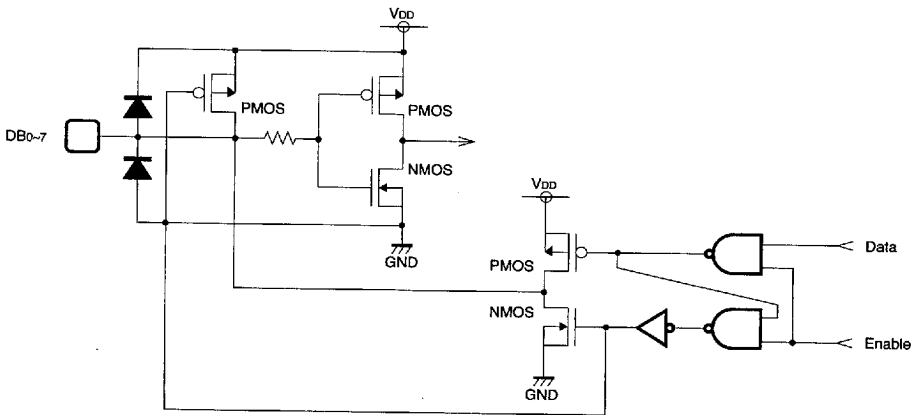
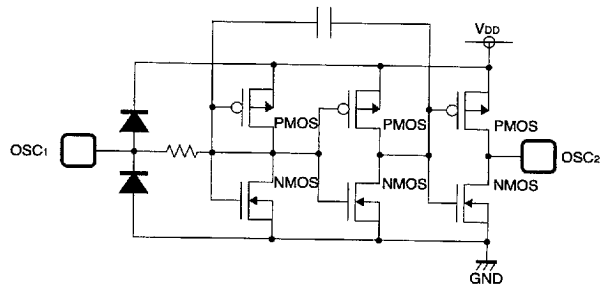
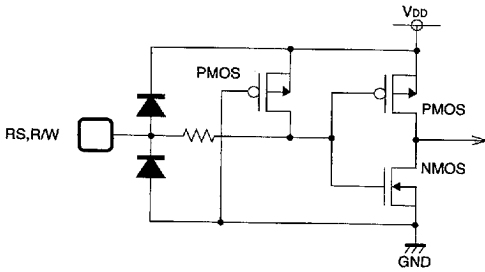
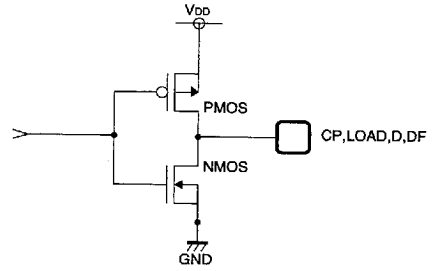
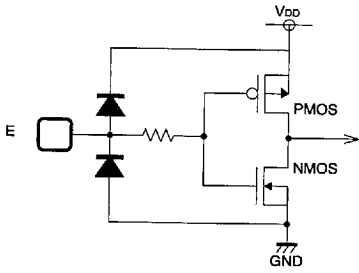
● Pin descriptions

Pin No.	Pin Name	Function	
36 (34)	RS	Selects the register used to read/write instructions and data. If RS = 0 and R/W = 0: Instruction register If RS = 0 and R/W = 1: Busy flag and address counter If RS = 1: Data register	
37 (35)	R/W	Signal that selects the read or write operation. This sends and receives data between the BU97701-00 (BU97702-00) and host computer. R/W = 0: Write R/W = 1: Read	
38 (36)	E	Signal which enables reading/writing.	
39~42 (37~40)	DB ₀ ~DB ₃	Highest four bits of 3-state bi-directional bus. These send and receive data between the BU97701-00 (BU97702-00) and host MPU. These are not used with 4-bit operation.	
43~46 (41~44)	DB ₄ ~DB ₇	Lowest four bits of 3-state bi-directional bus. These send and receive data between the BU97701-00 (BU97702-00) and host MPU.	
31 (29)	LOAD	Signal output which latches the serial data of the external segment driver.	
32 (30)	CP	Signal output which shifts the serial data of the external segment driver.	
34 (32)	DF	AC signal output of the LCD drive waveform.	
35 (33)	D	Outputs the data corresponding to the character pattern to an external segment register. 0: OFF data 1: ON data	
47~62 (45~60)	COM ₁ ~COM ₁₆	Commons: these are common drive signals. At 1/8 duty, COM9 to COM16 are de-selected waveforms. At 1/11 duty, COM12 to COM16 are de-selected waveforms.	
22~1 (20~1) 80~63 (80~61)	SEG ₁ ~SEG ₄₀	Segments: segment drive signals.	
30 (28)	V ₅	LCD power supply	These must satisfy the following relationship: $V_{DD} \geq V_1 \geq V_2 \geq V_3 \geq V_4 \geq V_5 \geq V_{SS}$
26~29 (24~27)	V ₁ ~V ₄	LCD power supply for external driver.	
33, 23 (31, 21)	V _{DD} , V _{SS}	Power supply pins; V _{DD} = 5.0 ± 10%, V _{SS} = 0 V	
24, 25 (22, 23)	OSC ₁ , OSC ₂	When the internal clock is operating, the resistance is connected to these pins. When an external clock is operating, the clock is input to OSC ₁ . (OSC ₂ is open.)	

* () The 97702 pin numbers are indicated within parentheses.

■ 7828999 0021551 090 ■

● Input/output circuits



LCD drivers (Single chip controller drivers)

LCD drivers

7828999 0021552 T27

●Electrical characteristics (Unless otherwise noted, $T_a=25^\circ\text{C}$, $V_{DD}=5\text{V}$, $V_{SS}=0\text{V}$)

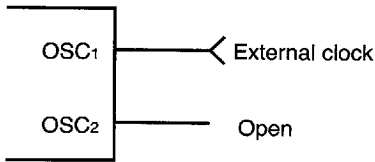
Parameter	Symbol	Min.	Typ.	Max.	Unit	Conditions	Measurement Circuit
Input voltage 1 HIGH	V_{IH1}	$0.8 \times V_{DD}$	—	V_{DD}	V		Fig.1
Input voltage 1 LOW	V_{IL1}	0	—	$0.2 \times V_{DD}$	V		Fig.1
Input voltage 2 HIGH	V_{IH2}	2.2	—	—	V		Fig.1
Input voltage 2 LOW	V_{IL2}	—	—	0.8	V		Fig.1
Output voltage 1 HIGH	V_{OH1}	$V_{DD}-0.3$	—	—	V	$I_{OH}=-0.625\text{mA}$	Fig.1
Output voltage 1 LOW	V_{OL1}	—	—	0.3	V	$I_{OL}=0.625\text{mA}$	Fig.1
Output voltage 2 HIGH	V_{OH2}	2.4	—	—	V	$I_{OH}=-1.2\text{mA}$	Fig.1
Output voltage 2 LOW	V_{OL2}	—	—	0.4	V	$I_{OL}=2.0\text{mA}$	Fig.1
COM driver ON resistance	R_{COM}	—	—	20	k Ω	$I_d=\pm 50\ \mu\text{A}$	Fig.1
SEG driver ON resistance	R_{SEG}	—	—	30	k Ω	$I_d=\pm 50\ \mu\text{A}$	Fig.1
Input current 1	I_{IN1}	-1	—	1	μA	$V_{IN}=0\sim V_{DD}$ Note 1	Fig.1
Input current 2	I_{IN2}	50	125	250	μA	$V_{DD}=5\text{V}$, $V_{IN}=0\text{V}$	Fig.1
Current consumption	I_{DD}	—	350	600	μA	Note 2	Fig.1
External clock operating frequency	f_{IN}	125	250	350	kHz	Note 3	—
External clock duty	f_{Duty}	45	50	55	%	Note 4	—
External clock rise time	t_r	—	—	200	ns	Note 5	—
External clock fall time	t_f	—	—	200	ns	Note 6	—
Internal clock oscillation frequency	f_{OSC}	190	270	350	kHz		Fig.2
Enable cycle time	t_{EC}	500	—	—	ns		Fig.2
Enable pulse width	t_{EP}	220	—	—	ns		Fig.2
Enable rise/fall times	t_{ER} , t_{EF}	—	—	20	ns		Fig.2
Address setup time	t_{AS}	40	—	—	ns		Fig.2
Address hold time	t_{AH}	10	—	—	ns		Fig.2
Data setup time	t_{DS}	60	—	—	ns		Fig.2
Data hold time (writing)	t_{DH}	10	—	—	ns		Fig.2
Data delay time	t_{DD1}	—	—	250	ns		Fig.2
Data hold time (reading)	t_{OH}	20	—	—	ns		Fig.2
CP cycle time	t_{CC}	1800	—	—	ns		Fig.2
CP pulse time	t_{WH} , t_{WL}	800	—	—	ns		Fig.2
CP rise/fall times	t_{CR} , t_{CF}	—	—	100	ns		Fig.2
D delay time	t_{DD2}	—	—	100	ns		Fig.2
LOAD pulse width	t_{WCP}	800	—	—	ns		Fig.2
CP → LOAD time	t_{CL}	125	—	—	ns		Fig.2
LOAD → CP time	t_{LC}	0	—	—	ns		Fig.2
DF delay time	t_{DFD}	-100	—	100	ns		Fig.2

■ 7828999 0021553 963 ■

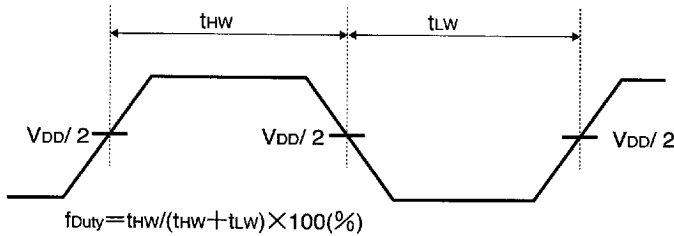
Note 1: Current does not include pull-up MOS current.

Note 2: External resistance oscillation or external clock input $V_{DD} = 5.0\text{ V}$, $f_{osc} = f_{cp} = 270\text{ kHz}$

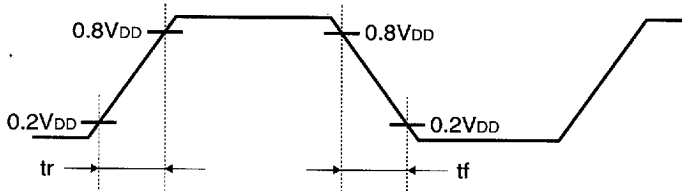
Note 3: External clock operating



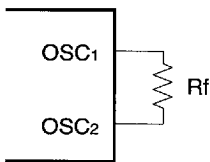
Note 4: Applies to OSC1 pin



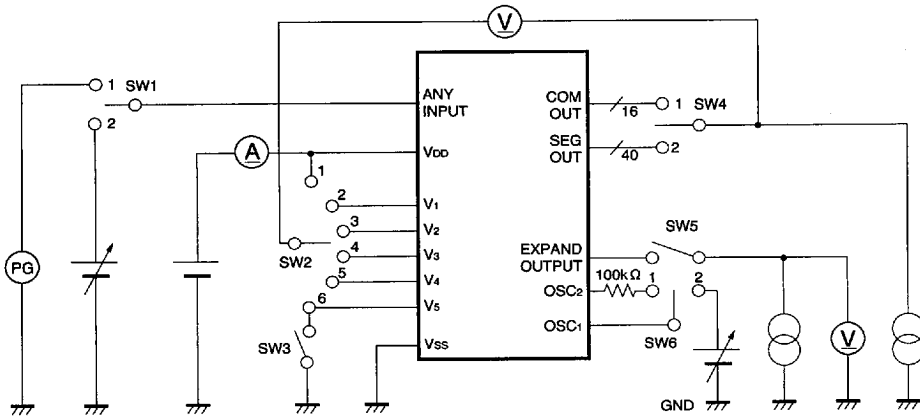
Note 5: Applies to OSC1 pin



Note 6: Internal oscillation caused by external resistance



● Measurement circuit



SW1	1: ON resistance, output voltage measurement	SW3	ON: ON resistance measurement
	2: Input voltage, input current measurement		OFF: Current consumption measurement
SW2	1: ON resistance (in relation to V_{DD}) measurement	SW4	1: ON resistance (COM output) measurement
	2: ON resistance (in relation to V_1) measurement		2: ON resistance (COM output) measurement
	3: ON resistance (in relation to V_2) measurement	SW5	ON: Output voltage measurement
	4: ON resistance (in relation to V_3) measurement		OFF: Current consumption measurement
	5: ON resistance (in relation to V_4) measurement	SW6	1: Current consumption, ON resistance measurement
	6: ON resistance (in relation to V_5) measurement		2: Input voltage measurement

Fig. 1 DC characteristics measurement circuit

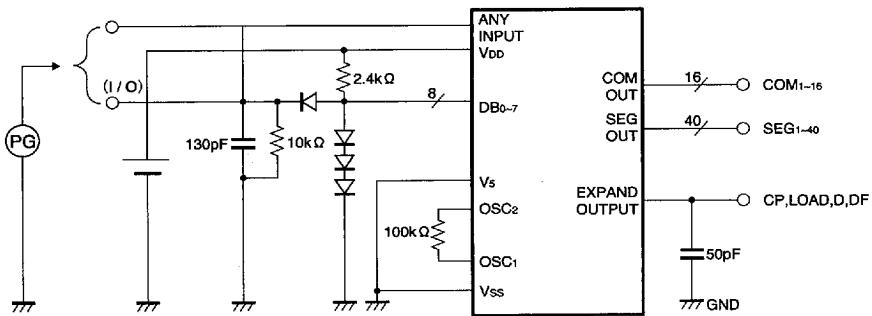


Fig. 2 Switching characteristics measurement circuit

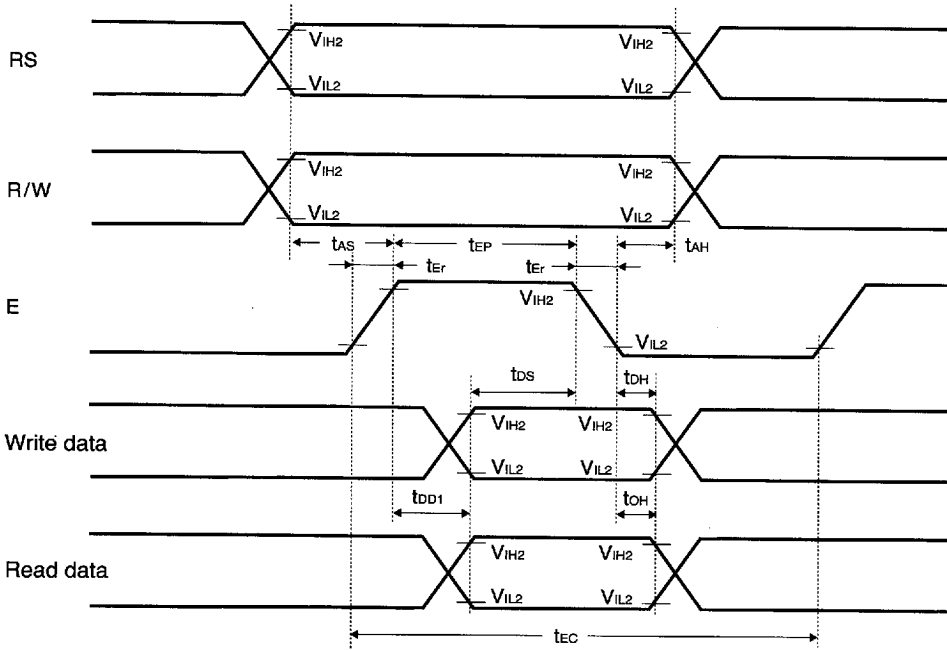


Fig. 3 Bus read/write timing

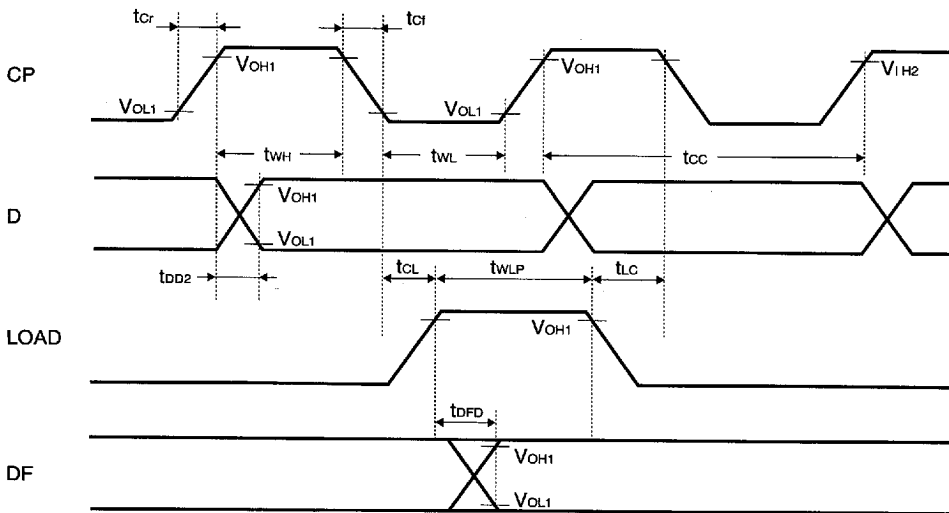


Fig. 4 Output to expansion driver

●Correspondence between character codes and character patterns

Rohm Standard : ROM Ver. 00

Upper bit Lower bit	0000	0001	0010	0011	0100	0101	0110	0111	1000	1001	1010	1011	1100	1101	1110	1111
XXXX0000	CGRAM (1)			0	A	P	`	P				-	9	E	o	p
XXXX0001	(2)		!	1	A	a	a	a			u	7	7	4	a	q
XXXX0010	(3)		"	2	B	R	b	r			r	4	u	x	p	a
XXXX0011	(4)		#	3	C	S	c	s			u	9	t	E	e	∞
XXXX0100	(5)		\$	4	D	T	t	t			u	7	t	h	p	∞
XXXX0101	(6)		%	5	E	U	e	u			.	7	7	7	e	o
XXXX0110	(7)		&	6	F	V	f	v			7	7	7	7	p	z
XXXX0111	(8)		'	7	G	W	w	w			7	7	7	7	g	π
XXXX1000	(1)		(8	H	X	h	x			7	7	7	7	7	x
XXXX1001	(2))	9	I	Y	i	y			7	7	7	7	7	y
XXXX1010	(3)		*	#	J	Z	j	z			7	7	7	7	j	*
XXXX1011	(4)		+	#	K	C	k	c			7	7	7	7	*	π
XXXX1100	(5)		,	<	L	*	l	l			7	7	7	7	*	π
XXXX1101	(6)		-	=	M	I	m	i			7	7	7	7	7	÷
XXXX1110	(7)		.	>	N	^	n	^			7	7	7	7	7	π
XXXX1111	(8)		/	?	O	_	o	_			7	7	7	7	7	■

7828999 0021557 509

Rohm Standard : ROM Ver. 01

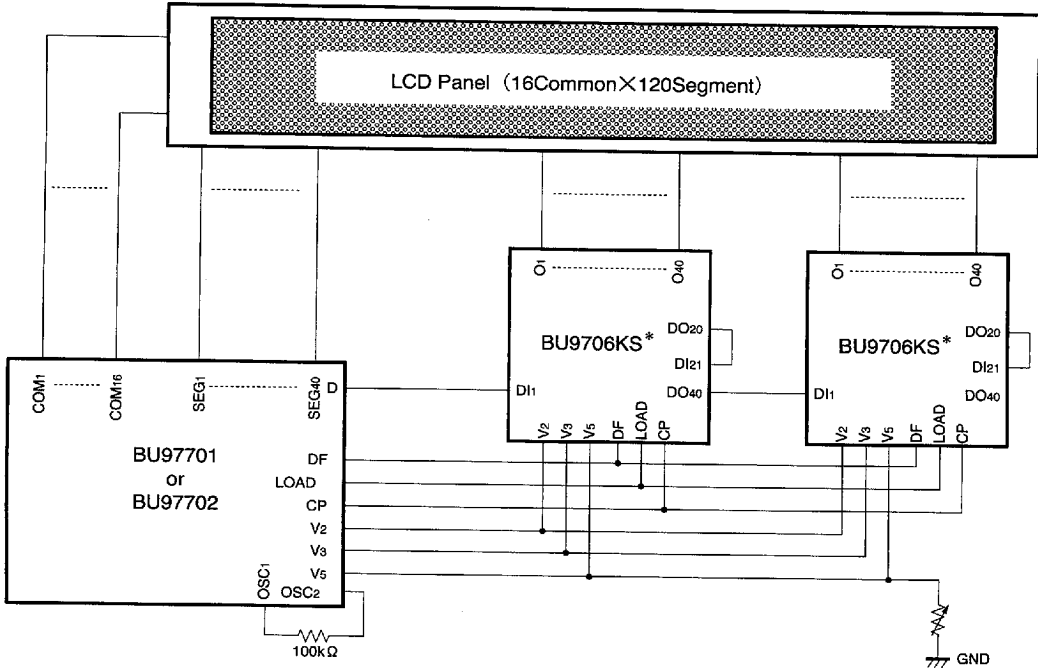
Upper bit Lower bit	0000	0001	0010	0011	0100	0101	0110	0111	1000	1001	1010	1011	1100	1101	1110	1111
XXXX0000	CGRAM (1)	ア	イ	ロ	エ	オ	カ	キ	ク	ケ	コ	サ	シ	ス	セ	ソ
XXXX0001	(2)	チ	リ	レ	ワ	ヰ	ヱ	ヰ	ヱ	ヰ	ヱ	ヰ	ヱ	ヰ	ヱ	ヰ
XXXX0010	(3)	フ	ブ	ヱ	ヰ	ヱ	ヰ	ヱ	ヰ	ヱ	ヰ	ヱ	ヰ	ヱ	ヰ	ヱ
XXXX0011	(4)	ヘ	テ	ト	ナ	ニ	ノ	ハ	ヒ	フ	ヘ	テ	ト	ナ	ニ	ノ
XXXX0100	(5)	ホ	ヘ	ト	ナ	ニ	ノ	ハ	ヒ	フ	ヘ	テ	ト	ナ	ニ	ノ
XXXX0101	(6)	ヘ	テ	ト	ナ	ニ	ノ	ハ	ヒ	フ	ヘ	テ	ト	ナ	ニ	ノ
XXXX0110	(7)	ヘ	テ	ト	ナ	ニ	ノ	ハ	ヒ	フ	ヘ	テ	ト	ナ	ニ	ノ
XXXX0111	(8)	ヘ	テ	ト	ナ	ニ	ノ	ハ	ヒ	フ	ヘ	テ	ト	ナ	ニ	ノ
XXXX1000	(1)	ヘ	テ	ト	ナ	ニ	ノ	ハ	ヒ	フ	ヘ	テ	ト	ナ	ニ	ノ
XXXX1001	(2)	ヘ	テ	ト	ナ	ニ	ノ	ハ	ヒ	フ	ヘ	テ	ト	ナ	ニ	ノ
XXXX1010	(3)	ヘ	テ	ト	ナ	ニ	ノ	ハ	ヒ	フ	ヘ	テ	ト	ナ	ニ	ノ
XXXX1011	(4)	ヘ	テ	ト	ナ	ニ	ノ	ハ	ヒ	フ	ヘ	テ	ト	ナ	ニ	ノ
XXXX1100	(5)	ヘ	テ	ト	ナ	ニ	ノ	ハ	ヒ	フ	ヘ	テ	ト	ナ	ニ	ノ
XXXX1101	(6)	ヘ	テ	ト	ナ	ニ	ノ	ハ	ヒ	フ	ヘ	テ	ト	ナ	ニ	ノ
XXXX1110	(7)	ヘ	テ	ト	ナ	ニ	ノ	ハ	ヒ	フ	ヘ	テ	ト	ナ	ニ	ノ
XXXX1111	(8)	ヘ	テ	ト	ナ	ニ	ノ	ハ	ヒ	フ	ヘ	テ	ト	ナ	ニ	ノ

7828999 0021558 445

Rohm Standard : ROM Ver. 02

Upper bit Lower bit	0000	0001	0010	0011	0100	0101	0110	0111	1000	1001	1010	1011	1100	1101	1110	1111
XXXX0000	CGRAM (1)															
XXXX0001	(2)															
XXXX0010	(3)															
XXXX0011	(4)															
XXXX0100	(5)															
XXXX0101	(6)															
XXXX0110	(7)															
XXXX0111	(8)															
XXXX1000	(1)															
XXXX1001	(2)															
XXXX1010	(3)															
XXXX1011	(4)															
XXXX1100	(5)															
XXXX1101	(6)															
XXXX1110	(7)															
XXXX1111	(8)															

● Application circuit



* The BU9706KS is a segment expansion LSI.

Fig. 5 Application circuit

● Electrical characteristic curves

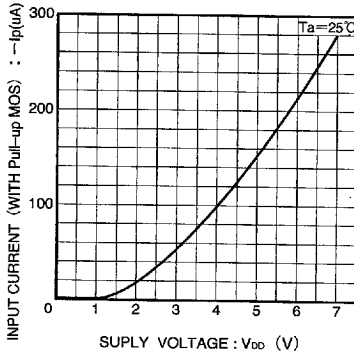


Fig. 6 Input current - power supply voltage characteristic

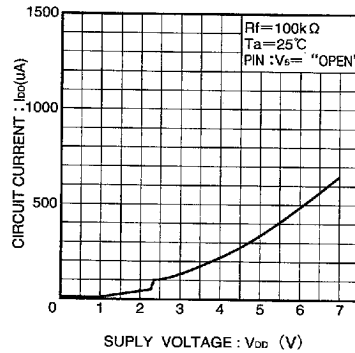
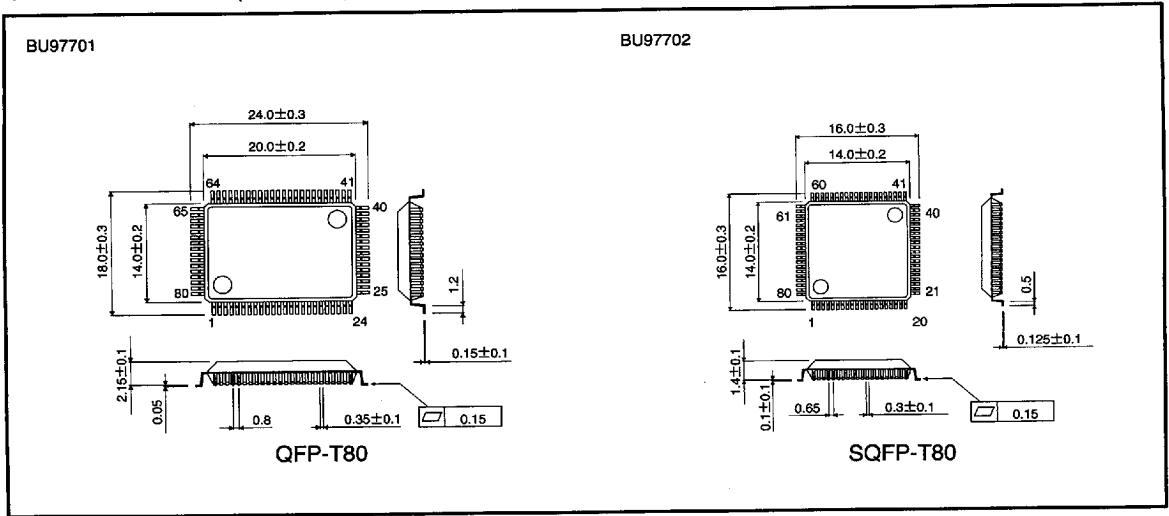


Fig. 7 Current consumption - power supply voltage characteristic

7828999 0021560 0T3

● External dimensions (Units: mm)



7828999 0021561 T3T