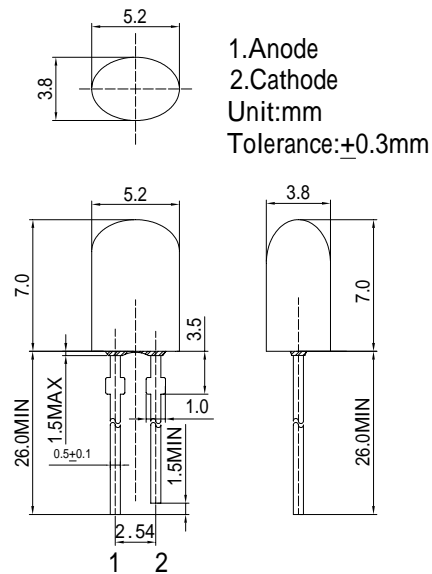


Features

High Luminous LEDs
 5.2x3.8mm Standard Directivity
 Superior Weather-resistance
 UV Resistant Epoxy
 Color Diffused Type

Outline Dimension



Applications

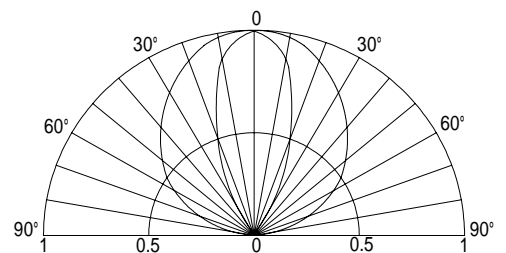
Display
 VMS (Variable message signs)
 Other Lighting

Absolute Maximum Rating (Ta=25 °C)

Item	Symbol	Value	Unit
DC Forward Current	I_F	30	mA
Pulse Forward Current*	I_{FP}	100	mA
Reverse Voltage	V_R	5	V
Power Dissipation	P_D	108	mW
Operating Temperature	T_{opr}	-30 ~ +85	
Storage Temperature	T_{stg}	-40 ~ +100	
Lead Soldering Temperature	T_{sol}	260 /5sec	-

*Pulse width Max.10ms Duty ratio max 1/10

Directivity



Electrical -Optical Characteristics (Ta=25 °C)

Item	Symbol	Condition	Min.	Typ.	Max.	Unit
DC Forward Voltage	V_F	$I_F=20\text{mA}$	2.9	3.1	3.6	V
DC Reverse Current	I_R	$V_R=5\text{V}$	-	-	10	μA
Domi. Wavelength*	λ_D	$I_F=20\text{mA}$	520	525	530	nm
Luminous Intensity*	I_v	$I_F=20\text{mA}$	1560	2180	-	mcd
50% Power Angle	$2\theta_{1/2}$	$I_F=20\text{mA}$	-	110/40	-	deg

*1 Tolerance of dominant wavelength is $\pm 1\text{nm}$

*2 Tolerance of luminous intensity is $\pm 15\%$