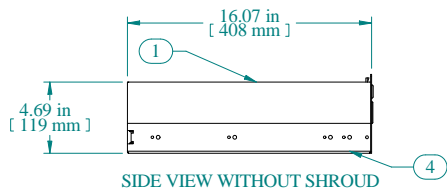
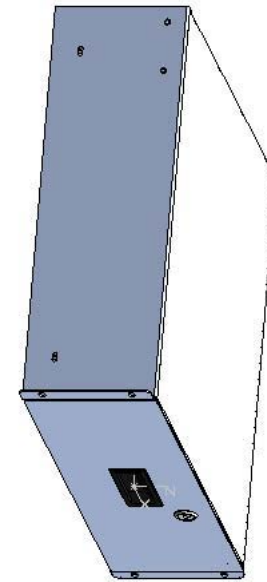
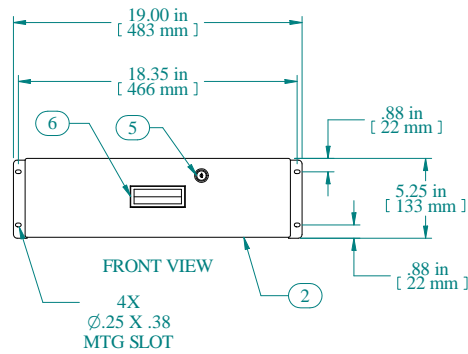


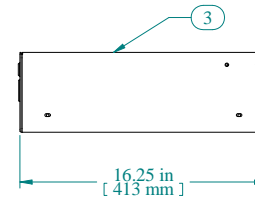
TOP VIEW



SIDE VIEW WITHOUT SHROUD



FRONT VIEW



3

Item Number	Title	Quantity
1	RDRW - DRAWER BODY	1
2	RDRW - DRAWER PLATE	1
3	RDRW - DRAWER SHROUD	1
4	SLIDE 16" FULL TRAVEL	2
5	LOC KEY-LOCK WITH NUT H-7.5 MM	1
6	PLASTIC HANDLE	1

**PART NUMBERS**

RDRW1900516BK1	PAINTED BLACK TEXTURED
RDRW1900516CG1	PAINTED GREY/BEIGE TEXTURED
RDRW1900516LG1	PAINTED RAL7035 TEXTURED

**NOTES**

Maximum Weight 60 lb No Rear Support  
 Maximum Weight 120 lb Rear Supported  
 Mounting Hardware Included

Data subject to change without notice. Isometric drawing not to scale.



**HAMMOND  
MANUFACTURING™**  
 www.hammondmfg.com  
 PART NO. RDRW1900516