

1

2

3

4

5

6

7

A

A

B

B

C

C

D

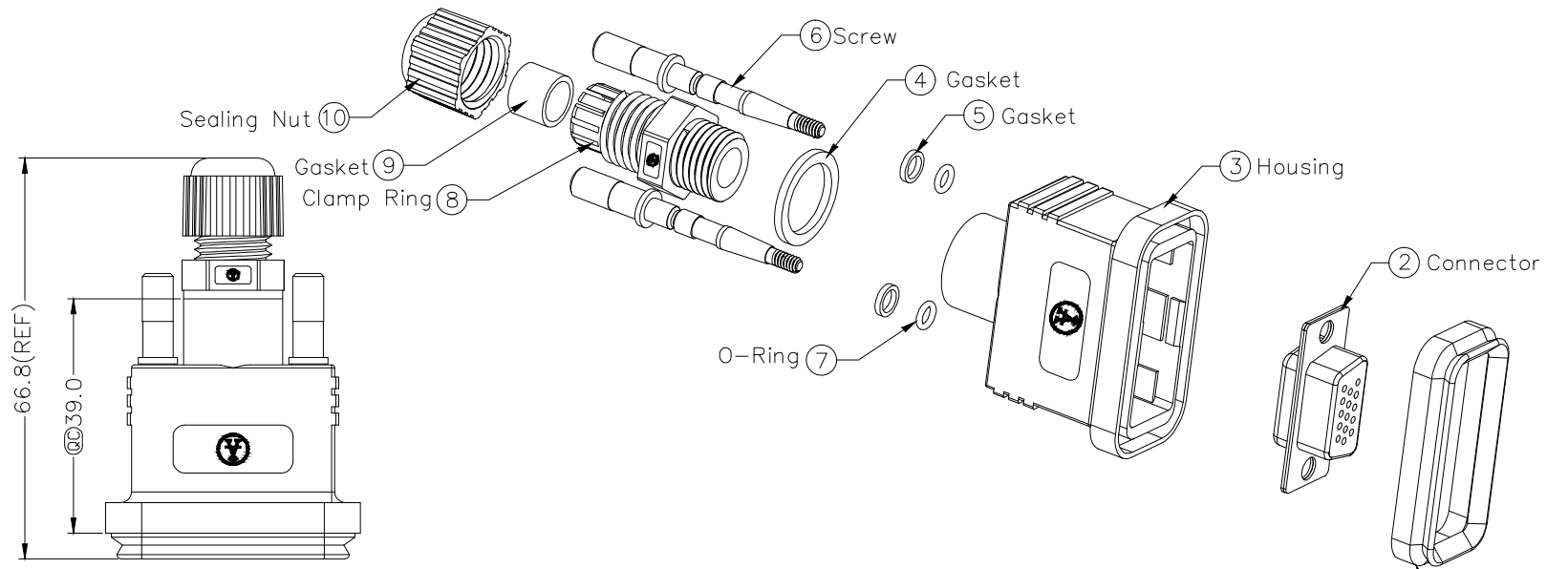
D

E

E

F

F



note:
 important dimension
 waterproof rate: IP67
 housing:ABS,black
 pin:copper alloy, gold plated
 seals for cable OD: Ø3.5mm~Ø7.0mm
 one set unassembled in one zipper bag

RoHS compliant
 Unit: mm

Scale	FREE					Date	Name	Customer-No.
TOLERANCE					Drawn	16.10.2014	Joanna	
	±0.5				Approved	16.10.2014	Joanna	ASSMANN WSW-No. A-HDF15-HOOD-WP
DIM	TOL							Drawing-No. ASS 6614 CA rev00
		①	Drawn	16.10.2014				Joanna
Angle	TOL	Id.	Modification	Date	Name			

1

2

3

4

5

6

7

H

H