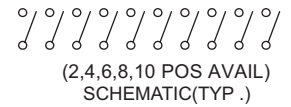
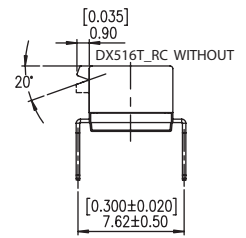
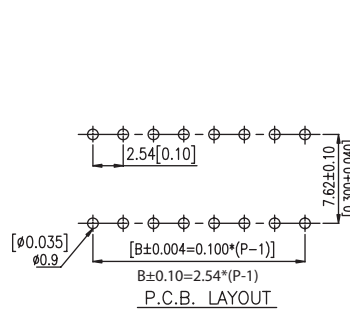
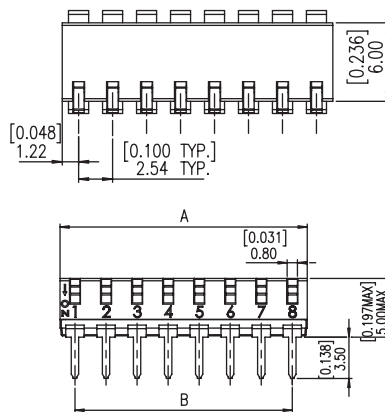
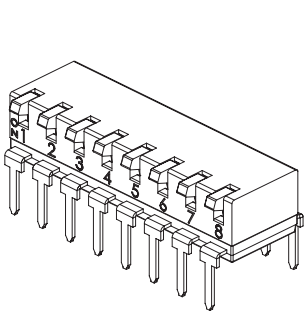


DIP Switches

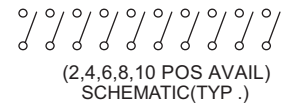
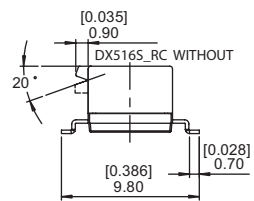
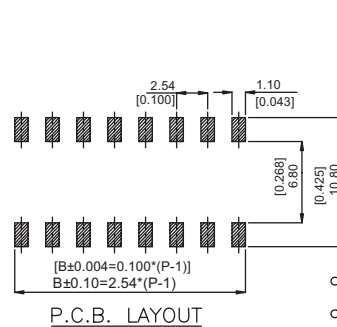
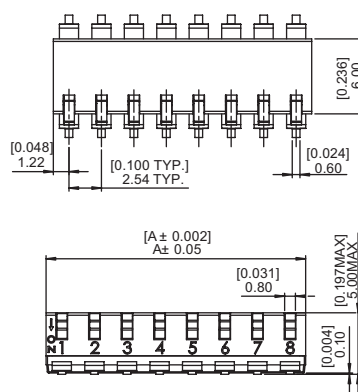
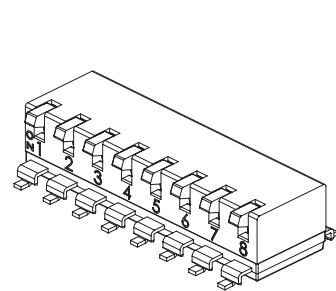
End Stackable Piano Type DIP Switch

DX516 Series



DX516T THT Terminals

General Tolerance : ±0.2mm



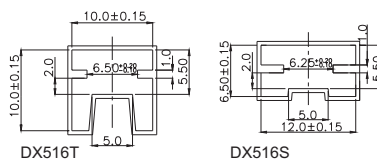
DX516S SMT Terminals

General Tolerance : ±0.2mm

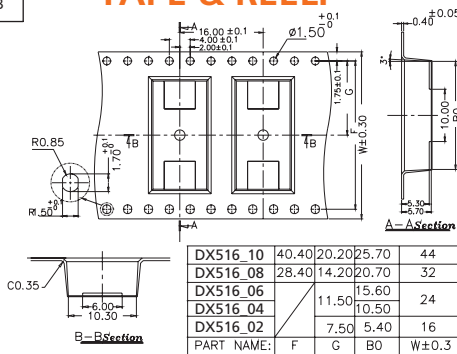
Dimension A & B:

DX516_10	10	25.30[.996]	22.86[.900]
DX516_08	8	20.22[.796]	17.78[.700]
DX516_06	6	15.14[.596]	12.70[.500]
DX516_04	4	10.06[.400]	7.62[.300]
DX516_02	2	4.98[.196]	2.54[.100]
PROD. NO.	NO. OF POS.	DIM. A	DIM. B

Tube Dimension:



TAPE & REEL:



Packing Unit:

DX516_10	95	-
DX516_08	47	-
DX516_06	31	-
DX516_04	23	-
DX516_02	18	-
DX516S-02		700
04.06.08.10		
PROD.NO	NO.PER TUBE	NO. PER REEL

How to order:



- | | |
|-----------------------------|------------------------------------|
| 1 TYPE OF TERMINALS: | 06 6 Positions |
| T THT Terminals | 08 8 Positions |
| S SMT Terminals | 10 10 Positions |
| 2 ACTUATOR TYPE | 4 ON/OFF-POSITION |
| RA Raised Actuator | 1 Push Down ON (Standard) |
| RC Recessed Actuator | 0 Push Down OFF |
| 3 NO. OF POSITIONS: | 5 PACKAGE STYLE: |
| 02 2 Positions | TB Tube |
| 04 4 Positions | TR Tape & Reel (only S.M.T) |

General Specifications:

MATERIALS:

- » Cover: UL 94V-0 Nylon High-Temp Thermoplastic Black
- » Base: UL 94V-0 Nylon High-Temp Thermoplastic Black
- » Actuator: UL 94V-0 Nylon High-Temp Thermoplastic White
- » Contact: Alloy Copper with gold cladding
- » Terminal: Brass with gold cladding

MECHANICAL:

- » Mechanical Life: 2,000 cycles
- » Operation Force: 800 gf
- » Operation Temperature: -20°C to +85°C
- » Storage Temperature: -40°C to +85°C

ELECTRICAL:

- » Electrical Life: 2,000 cycles
- » Rating: 25mA, 24VDC
- » Circuit: Single pole single throw
- » Contact Resistance: 100mΩ max., at 500VDC
- » Insulation Resistance: 100MΩ max., at 500VDC
- » Dielectric Strength: 500VAC / 1 minute

SOLDERING PROCESSES:

- » Wave Soldering: Recommended solder temperature at 260°C max. 5 seconds for THT type.
- » Hand Soldering: Use a soldering iron of 30 watts, controlled at 350°C approximately max 5 seconds while applying solder.
- » Reflow Soldering: When applying reflow soldering, the peak temperature or the reflow oven should be set at 260°C max.
- » Do not wash the switch except top tape sealed type, which suitable for spray cleaning method from top of the s/w.

Reflow Temperature Profile:

