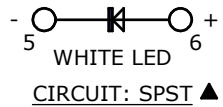
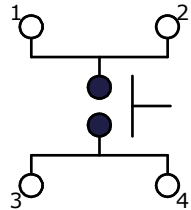
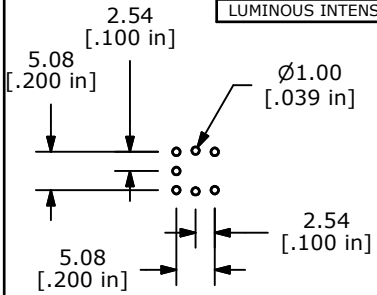
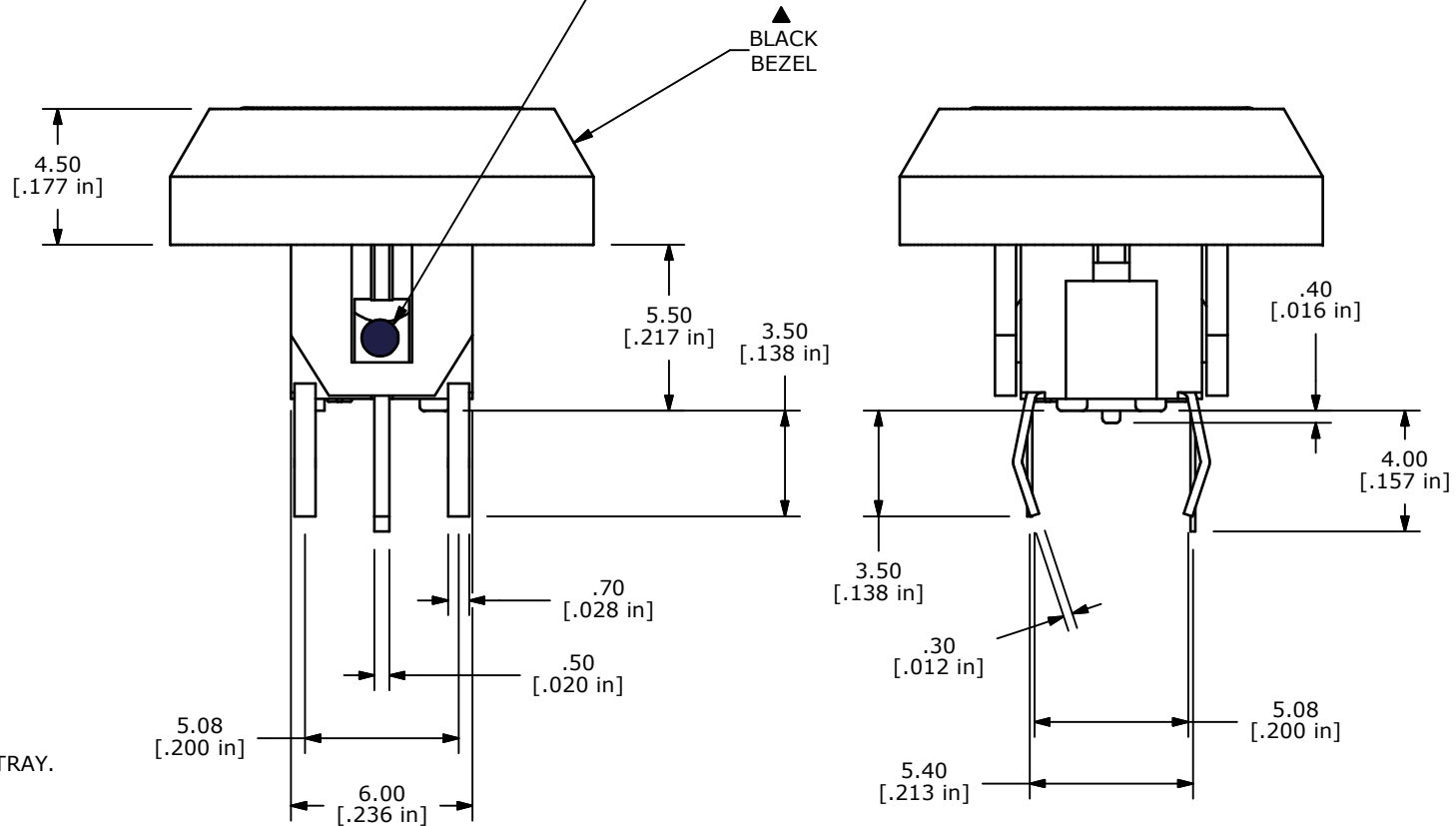
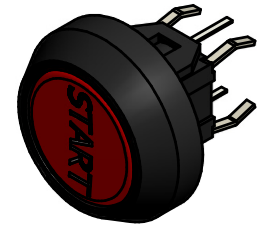
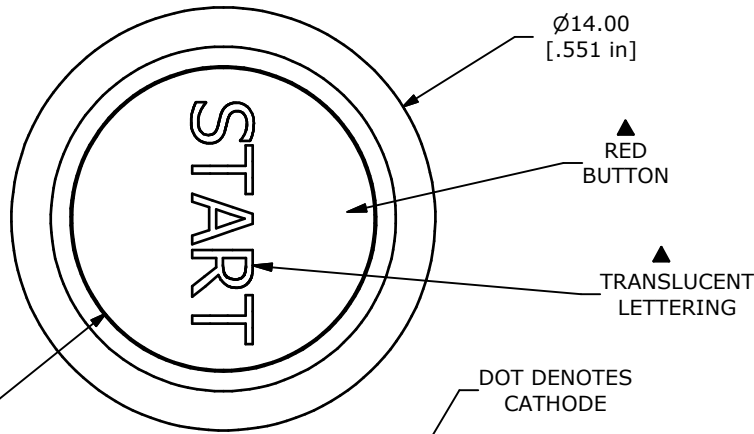


LED SPECS	UNITS	WHITE ▲
FORWARD CURRENT	mA	20
FORWARD VOLTAGE @20mA	V	3.2-4.0
LUMINOUS INTENSITY @ 20mA	MCD	100



NOTES:

1. ALL DIMENSIONS IN MM [INCH]
2. GENERAL TOLERANCE: X.X=±0.4
X.XX=±0.25
3. RATING: 12VDC @ 50mA
4. CONTACT RESISTANCE: 100mΩ MAX.
5. INSULATION RESISTANCE: 100MΩ MIN.
- ▲ 6. OPERATING FORCE: 180± 50gf
7. TRAVEL: 0.2± 0.1mm
8. OPERATING TEMPERATURE: -20°C TO 70°C
9. OPERATING LIFE: 500,000 CYCLES
- ▲ 10. LED: WHITE
11. ▲ DENOTES CRITICAL PARAMETERS
12. 2002/95/EC (ROHS) COMPLIANT
13. PARTS TO BE PACKAGED 100 PARTS PER TRAY.



A	18423	New Release	2/25/09	rc
REV	PCR NO	DESCRIPTION	DATE	BY

TITLE TL1220R3BBRW-START				
SCALE	DATE	DR	DWG	REV
4	1/27/2009	rc	B260002	A

THE INFORMATION CONTAINED IN THIS DOCUMENT IS PROPRIETARY TO E-SWITCH AND IS NOT TO BE COPIED OR TRANSFERRED