

Honeywell



Representative photograph, actual product appearance may vary.

Due to regional agency approval requirements, some products may not be available in your area. Please contact your regional Honeywell office regarding your product of choice.

LLN8651721

LLN Series Liquid Level Sensor with Stainless-steel housed polysulphone dome, 3/8 inch BSI thread; 10 V to 40 V supply; Type 5; -40 °C to 125 °C; 3-pin male connector; Fluorocarbon "C" ring; NPN output, high in air, normal operation

Features

- Solid state reliability - no moving parts
- TTL compatible - 200 mA sinking output
- Fast response
- Reverse polarity and overvoltage protection
- Stainless-steel housing for long life and ease of cleaning
- Quick-connect, industry standard cable assembly for easy installation
- Wide operating temperature range
- Polysulphone sensor dome suitable for hygiene applications
- High pressure housing, rated up to 25 bars
- High degree of sealing - IP67
- CE certified

Typical Applications

- Industrial compressors
- Machine tools
- Material handling
- Processing and packaging equipment
- Heavy duty automotive

Description

The LLN series Industrial Liquid Level sensors are designed for harsh industrial environments with extremes in Temperature, pressure, vibration, and shock. The LLN series are sealed to meet IP67 and have reverse polarity and overvoltage protection. Housed in stainless-steel, the LLN series has long life and is easy to clean. The LLN series terminates using industry standard Quick-connect connectors.



LLN8651721

LLN Series Liquid Level Sensor with Stainless-steel housed polysulphon dome, 3/8 inch BSP thread; 10 V to 40 V supply; Type 5; -40 °C to 125 °C; 3-pin male connector; Fluorocarbon "O" ring; NPN output, high in air, normal operation

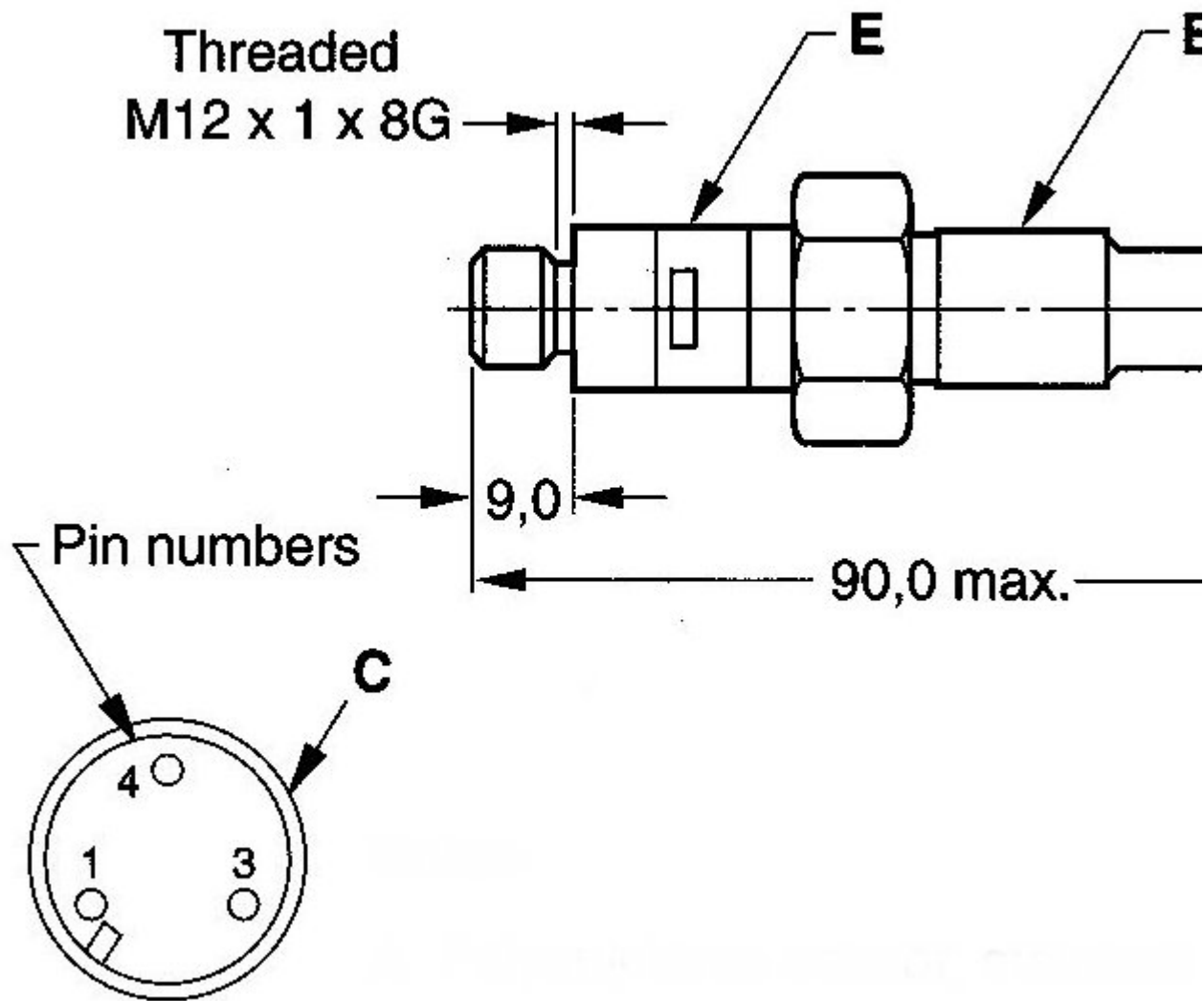
Product Specifications	
Sensor Type	Industrial Sensor
Operating Temperature Range	-40 °C to 125 °C [-40 °F to 257 °F]
Storage Temperature Range	-50 °C to 150 °C [-58 °F to 302 °F]
Housing Material	Stainless-steel
Housing Type	Industrial
Supply Voltage	10.0 Vdc to 40.0 Vdc
Output Type	High in air
Application Type	Normal
Termination Type	3-pin Lumberg/Brad Harrison type connector
Seal Washer	Fluorocarbon
Stainless-Steel Nut	No
Dome Dimension	3,5 mm radius
Thread Dimension	3/8 in BSP
Hex Dimension	24 mm [0.94 in]
Pressure Range	0 to 25 bar
Supply Current	60 mA max.
Output Sink Current	200 mA max.
Repeatability	1 mm [0.04 in]
Hysteresis (dependant on liquid)	1 mm [0.04 in]
Response Time - Rising Liquid	50 µs
Response Time - Falling Liquid	1 s max. (in ethanol)
Availability	Global
Accessories	HLC 131-020 or HLC 231-020
Comment	Operating temperature range relates to

	sensing end only.
UNSPSC Code	411121
UNSPSC Commodity	411121 Transducers
Series Name	LLN Series

Honeywell

LLN8651721

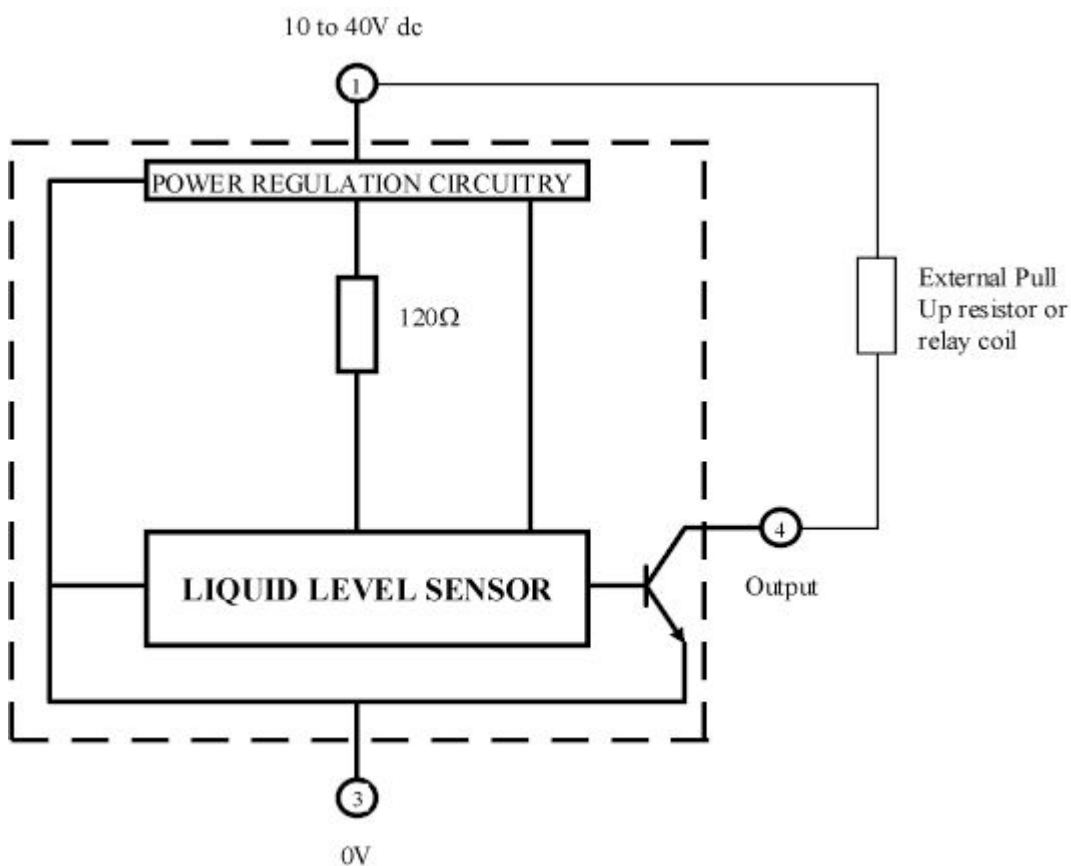
LLN Series Liquid Level Sensor with Stainless-steel housed polysulphone dome, 3/8 inch BSP thread; 10 V to 40 V supply; Type 5; -40 °C to 125 °C; 3-pin male connector; Fluorocarbon "O" ring; NPN output, high in air, normal operation



Honeywell

LLN8651721

LLN Series Liquid Level Sensor with Stainless-steel housed polysulphone dome, 3/8 inch BSP thread; 10 V to 40 V supply; Type 5; -40 °C to 125 °C; 3-pin male connector; Fluorocarbon "O" ring; NPN output, high in air, normal operation



Honeywell

LLN8651721

LLN Series Liquid Level Sensor with Stainless-steel housed polysulphone dome, 3/8 inch BSP thread; 10 V to 40 V supply; Type 5; -40 °C to 125 °C; 3-pin male connector; Fluorocarbon "O" ring; NPN output, high in air, normal operation

WARNING

PERSONAL INJURY

DO NOT USE these products as safety or emergency stop devices, or in any other application where failure of the product could result in personal injury.

Failure to comply with these instructions could result in death or serious injury.

WARNING

MISUSE OF DOCUMENTATION

- The information presented in this product sheet (or catalog) is for reference only. DO NOT USE this document as product installation information.
- Complete installation, operation and maintenance information is provided in the instructions supplied with each product.

Failure to comply with these instructions could result in death or serious injury.

© Copyright Honeywell Inc. 1998-2006 All rights reserved.