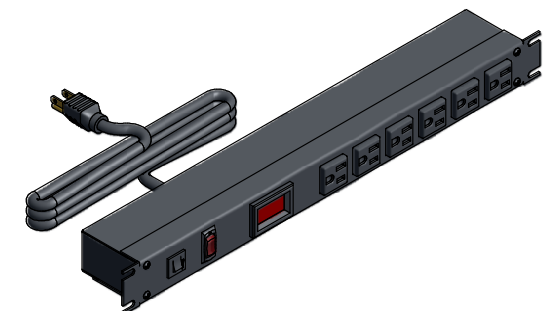
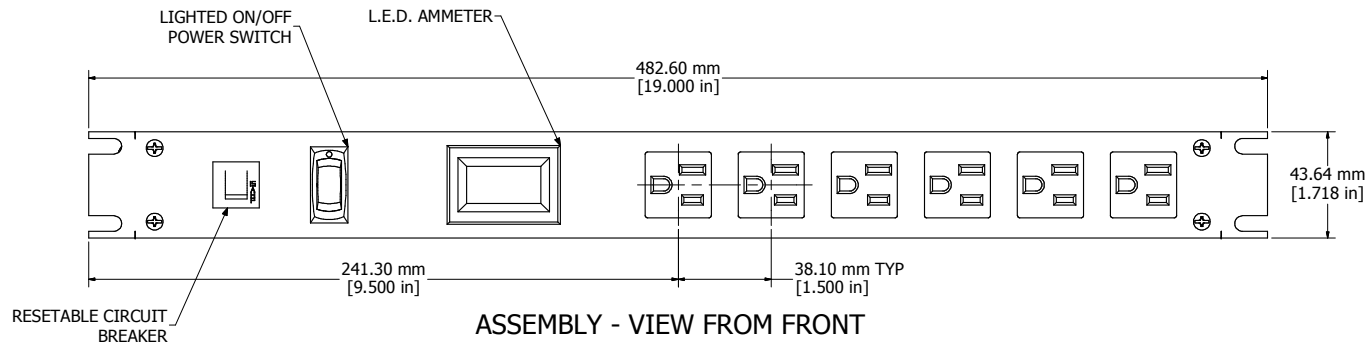
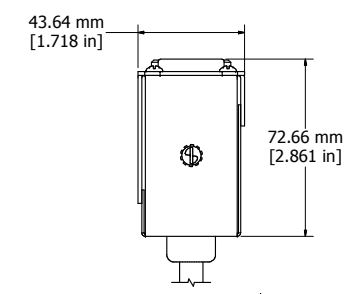
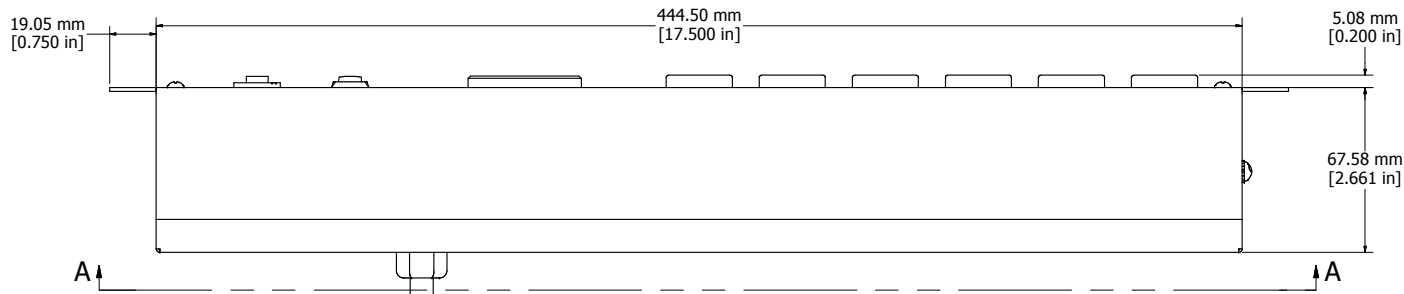


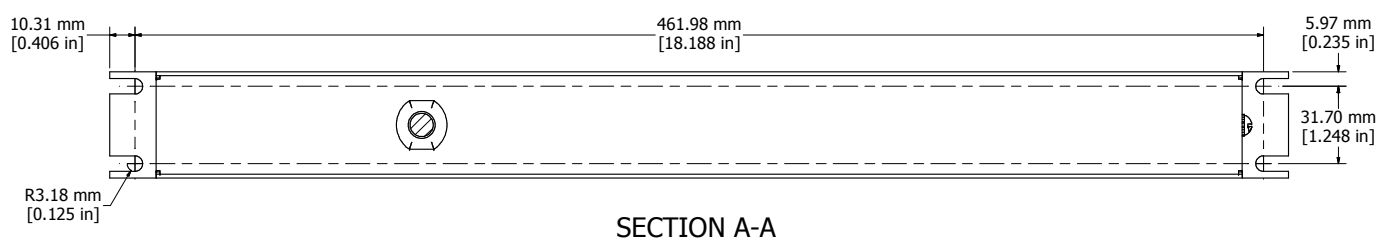
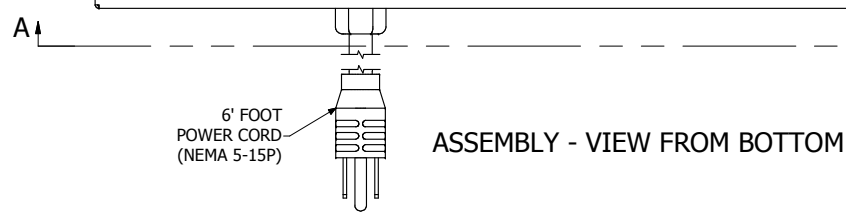
8 | 7 | 6 | 5 | 4 | 3 | 2 | 1



ISOMETRIC VIEW



ASSEMBLY - VIEW FROM SIDE



<b>1582H6A1BKAM</b>
Finish - Front - Black Painted Steel
Back - Black Painted Steel
Rated - 125 VAC, 60 Hz, 15 Amps
Approvals - cURus Recognized to Standard UL1363 & CSA C22.2 No. 21-95
<b>Cord Length</b>
1582H6A1BKAM - 6' Foot Power Cord (NEMA 5-15P)
1582H6B1BKAM - 15' Foot Power Cord (NEMA 5-15P)



8 | 7 | 6 | 5 | 4 | 3 | 2 | 1