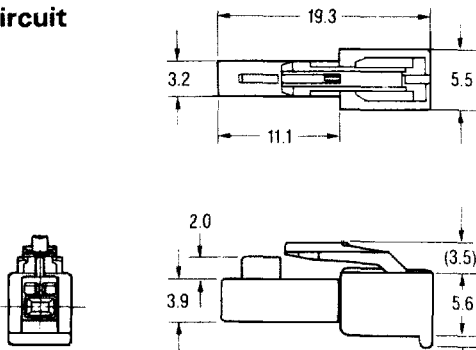


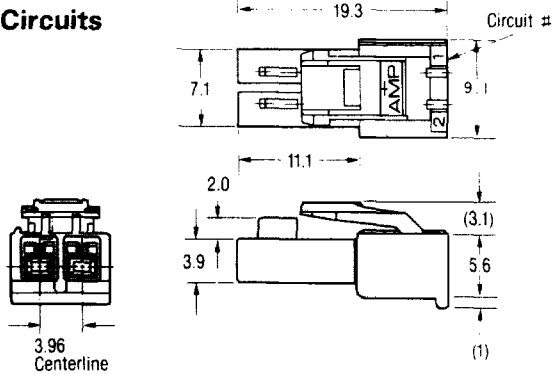
Plug Housings

(Applicable Contact P/N: 175151-□, 175152-□)

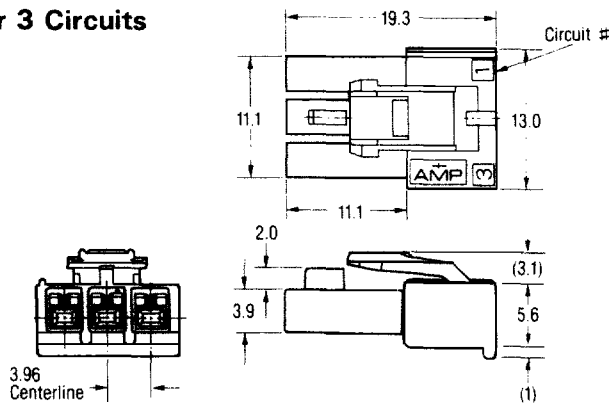
For 1 Circuit



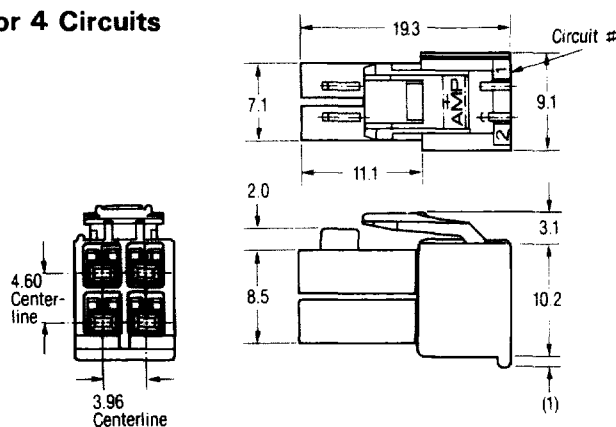
For 2 Circuits



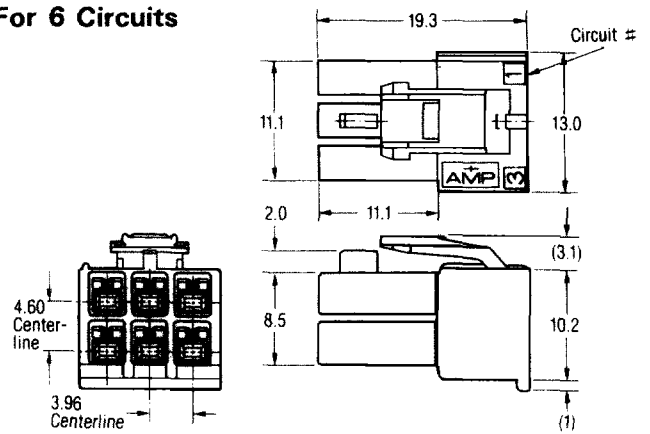
For 3 Circuits



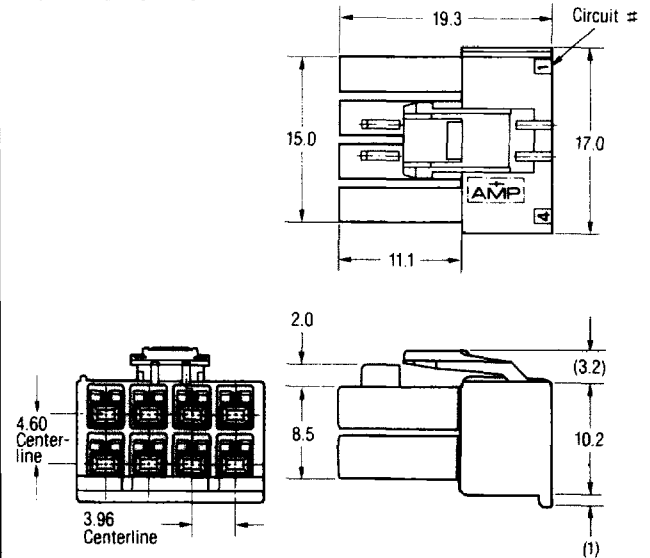
For 4 Circuits



For 6 Circuits



For 8 Circuits



Material: UL 94V-0 rated, 6/6 Nylon

No. of Circuit	Part Numbers	Housing Color (for suffixed no.)
1	176270-□	-1—Natural
2	176271-□	-2—Red
3	176272-□	-4—Yellow
4	176273-□	-6—Blue
6	176274-□	-9—Brack
8	176275-□	

Plug Housings (Cont'd)

(Applicable Contact P/N: 175151-□, 175152-□)

For 9 Circuits

Material:

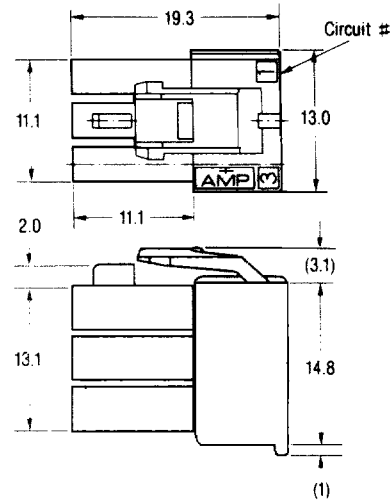
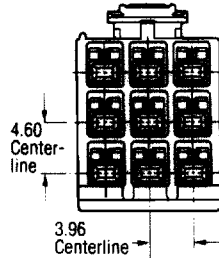
UL 94V-0 rated, 6/6 Nylon

Part Number: 176276-□

Housing Color

(for suffixed no.)

- 1 - Natural
- 2 - Red
- 4 - Yellow
- 6 - Blue
- 9 - Black



For 10 Circuits

Material:

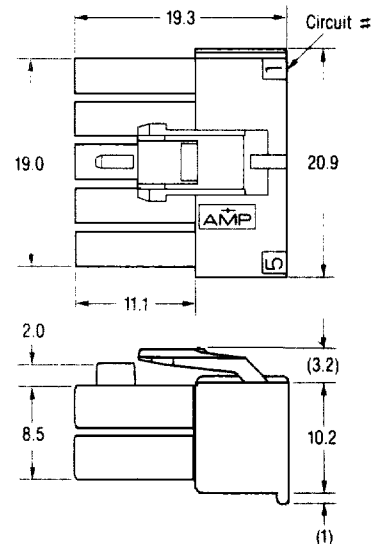
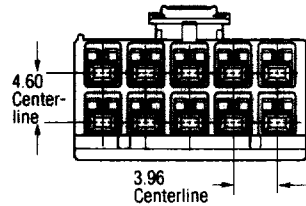
UL 94V-0 rated, 6/6 Nylon

Part Number: 176277-□

Housing Color

(for suffixed no.)

- 1 - Natural
- 2 - Red
- 4 - Yellow
- 6 - Blue
- 9 - Black



For 12 Circuits

Material:

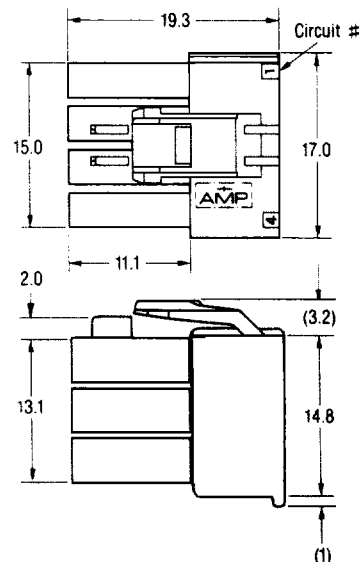
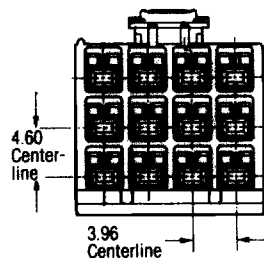
UL 94V-0 rated, 6/6 Nylon

Part Number: 176278-□

Housing Color

(for suffixed no.)

- 1 - Natural
- 2 - Red
- 4 - Yellow
- 6 - Blue
- 9 - Black



Plug Housings (Cont'd)

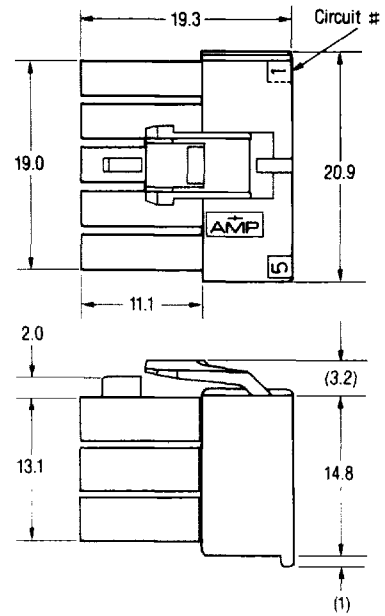
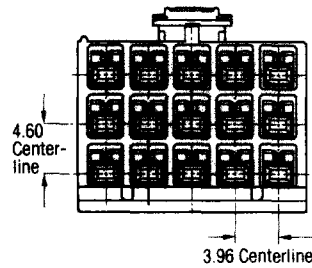
(Applicable Contact P/N: 175151-□, 175152-□)

For 15 Circuits

Material:
UL 94V-0 rated, 6/6 Nylon

Part Number: 176279-□

(Housing Color
(for suffixed no.)
-1 - Natural
-2 - Red
-4 - Yellow
-6 - Blue
-9 - Black



For 18 Circuits

Material:
UL 94V-0 rated, 6/6 Nylon

Part Number: 176280-□

(Housing Color
(for suffixed no.)
-1 - Natural
-2 - Red
-4 - Yellow
-6 - Blue
-9 - Black

