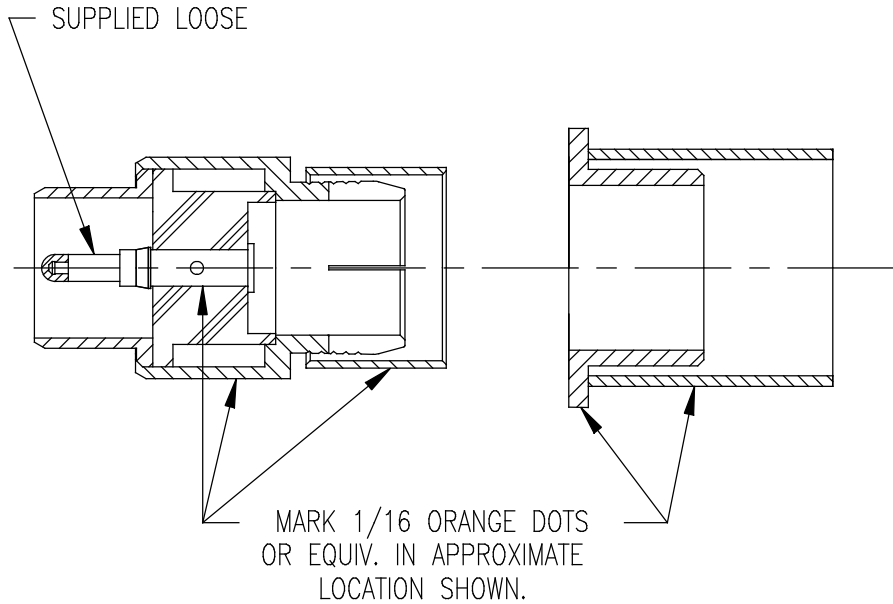


DASH NO.	M CODE	MADE FROM
----------	--------	-----------

GSD

785874	
REVISIONS	
ISSUE	CHANGES
0	ER 39844 HVN 03/19/07
785874 SD	



- NOTES:
- FOR USE WITH 74 CABLE GROUP (BELDEN 9232).
 - FOR CABLING INSTRUCTIONS SEE 3-651 (CONVENTIONAL METHOD) OR 3-711 (PRE-PREPARED DIMENSIONS).
 - USE CRIMPING TOOL KTH-8000 WITH DIE KTH-8002
 - MATERIALS:
 - INSULATORS: TEFLON, ASTM-D-4894
 - K-GRIP SLEEVES: COM BRONZE, ASTM-B140
 - CENTER CONTACT TIP: DELRIN
 - ALL OTHER METAL PARTS: BRASS, ASTM-B16
 - FINISHES:
 - CENTER AND OUTER CONTACT: HARD GOLD PLATE, PER ASTM-B488
 - ALL OTHER METAL PARTS: KINGS TARNISH RESISTANT NICKEL FINISH (TR-5)
 - ELECTRICAL CHARACTERISTICS:
 - NOMINAL IMPEDANCE: 75 OHMS
 - FREQUENCY RANGE: DC-3.0 GHz

GSD

SCALE	
APPROX SURFACE AREA	
USED ON	
REF:	
RETRO-FIT ASSY	
DRAWN	HVN DATE 03/19/07
DESIGN	HVN DATE 03/15/07
APPR.	DATE
 ROCK HILL, SOUTH CAROLINA 29730	

785874