



CD2S THRU CD10S

SINGLE PHASE GLASS PASSIVATED BRIDGE RECTIFIERS

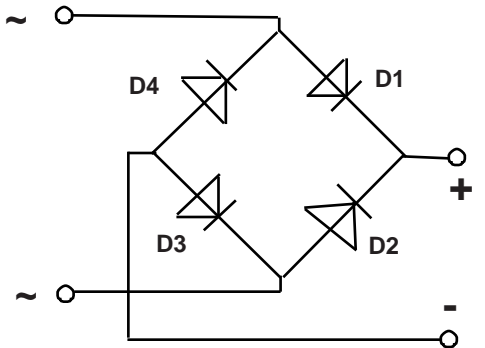
Voltage Range - 200 to 1000 Volts Current - 1.0 Ampere

Bridge Rectifier Datasheet

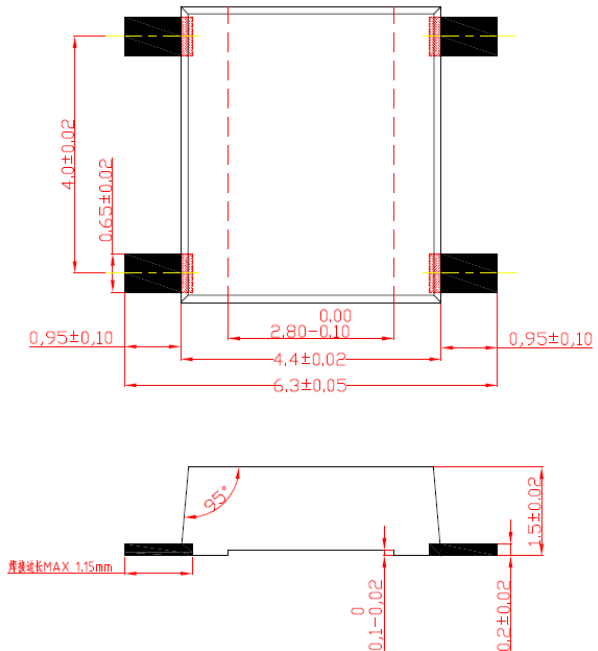
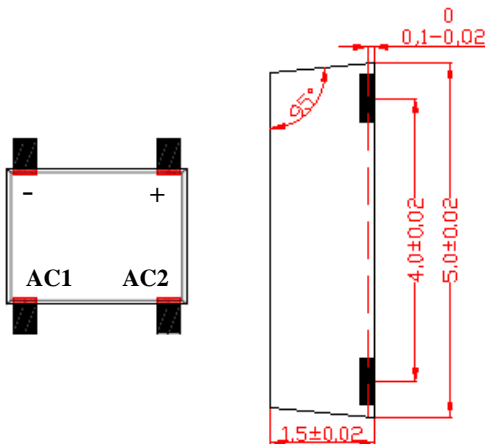
These are powerful bridge rectifiers with enhanced Glass Passivated Junction P-N chips. They are advanced rectifiers designed, tested and guaranteed to withstand a specified level of energy in the forward mode of operation. All of these rectifiers are designed for applications such as, switching convertors. They have the low negative leakage and low forward voltage drop, which allows these types to be operated directly from integrated circuits.

Features:

- ❖ 1A , 200 - 1000V
- ❖ Glass passivated junction
- ❖ Ideal for printed circuit board
- ❖ Thin body, flat lead
- ❖ High temperature soldering guaranteed: 260 °C /10seconds/ 0.375"(9.5mm)
- ❖ Leads solderable per MIL-STD-202, Method 208
- ❖ High reliability under 125°C working environment, with the limit temperature 150°C



CDS



Outline Drawing : Dimensions in inches(millimeters)

Based on MIL-STD-105E LEVEL II , set the acceptable level as below.

Item	Critical	Major	Minor
AQL (%)	0.01	0.10 (Electrical)	1.00
		0.25 (Physical)	

Signification , Storage and Shipment

1. The signification on the bridge rectifier body can be determined by customer. It will be 100% followed up as the instruction from customer.
2. The parts will be packed in the boxes, and the quantity in one box can be offered by customer. The boxes will be delivered by internal express company.
3. Please keep the parts being stored in the environment with humidity lower than 75%.

MAXIMUM RATINGS AND ELECTRICAL CHARACTERISTICS

Ratings at 25°C ambient temperature unless otherwise specified.

Single phase half-wave 60Hz, resistive or inductive load, for capacitive load derate current by 20%.

MDD Catalog Number	SYMBOLS	MDD CD2S	MDD CD4S	MDD CD6S	MDD CD8S	MDD CD10S	UNITS
Maximum repetitive peak reverse voltage	V_{RRM}	200	400	600	800	1000	VOLTS
Maximum RMS voltage	V_{RMS}	140	280	420	560	700	VOLTS
Maximum DC blocking voltage	V_{DC}	200	400	600	800	1000	VOLTS
Maximum average forward rectified current at $T_A=75^\circ\text{C}$	$I_{F(AV)}$	1.0					Amps
Peak forward surge current, 8.3ms single half sine-wave superimposed on rated load (JEDEC Method)	I_{FSM}	35					Amps
Maximum instantaneous forward voltage drop per leg at 0.4A	V_F	1.0					Volts
Maximum DC reverse current at rated DC blocking voltage $T_A=25^\circ\text{C}$ $T_A=75^\circ\text{C}$	I_R	5.0 50					μA μA
Typical junction capacitance per leg(Note)	C_J	15					pF
Typical thermal resistance per leg	$R_{\theta JA}$	30					$^\circ\text{C/W}$
Operating temperature range	T_J	-55 to +150					$^\circ\text{C}$
storage temperature range	T_{STG}	-55 to +150					$^\circ\text{C}$

NOTES: Measured at 1.0MHz and applied reverse voltage of 4.0 volts.

RATINGS AND CHARACTERISTIC CURVES CD2S THRU CD10S

Typical Performance Curves $T_c = 25^\circ\text{C}$, unless otherwise specified

FIG. 1- MAXIMUM FORWARD CURRENT DERATING CURVE

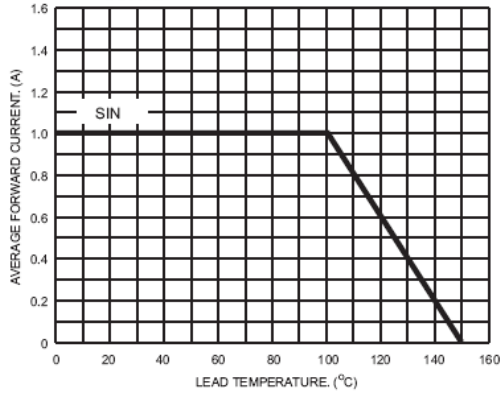
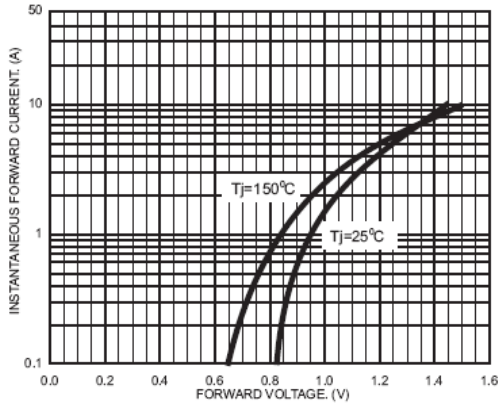


FIG. 2- TYPICAL FORWARD CHARACTERISTICS



MAXIMUM NON-REPETITIVE FORWARD SURGE CURRENT

