

AS5247

14-bit Dual-die On-Axis Magnetic Rotary Position Sensor with 11-bit Binary Incremental Pulse Count

General Description

The AS5247 is a high-resolution redundant rotary position sensor for fast absolute angle measurement over a full 360-degree range. This new position sensor is equipped with a revolutionary integrated dynamic angle error compensation (DAEC™) with almost 0 latency.

The robust design of the device suppresses the influence of any homogenous external stray magnetic field. A standard 4-wire SPI serial interface allows a host microcontroller to read 14-bit absolute angle position data from the AS5247 and to program non-volatile settings without a dedicated programmer.

Incremental movements are indicated on a set of ABI signals with a maximum resolution of 2048 steps / 512 pulses per revolution. The resolution of the ABI signal is programmable to 1024 steps / 256 pulses per revolution.

Brushless DC (BLDC) motors are controlled through a standard UVW commutation interface with a programmable number of pole pairs from 1 to 7. The absolute angle position is also provided as PWM-encoded output signal

The AS5247 supports embedded self-diagnostics including magnetic field strength too high, magnetic field strength too low or lost magnet, and other related diagnostic features.

The product is defined as SEooC (Safety Element out of Context) according ISO26262 including FMEDA, safety manual and third party qualification.

The AS5247 is available as a dual die in a compact MLF-40 7x7 package.

Ordering Information and Content Guide appear at end of datasheet.

Key Benefits & Features

The benefits and features of AS5247, 14-bit Dual-die On-Axis Magnetic Rotary Position Sensor with 11-bit Binary Incremental Pulse Count are listed below:

Figure 1:
Added Value of Using the AS5247

Benefits	Features
Easy to use – saving costs on DSP	DAEC™ Dynamic angle error compensation
Good resolution for motor & position control	14-bit core resolution

Benefits	Features
Versatile choice of the interface	Independent output interfaces: SPI, ABI, UVW, PWM
No programmer needed (via SPI command)	Zero position, configuration programmable
Supports safety-critical applications	Self-Diagnostics & redundancy
Lower system costs (no shielding)	Immune to external stray field

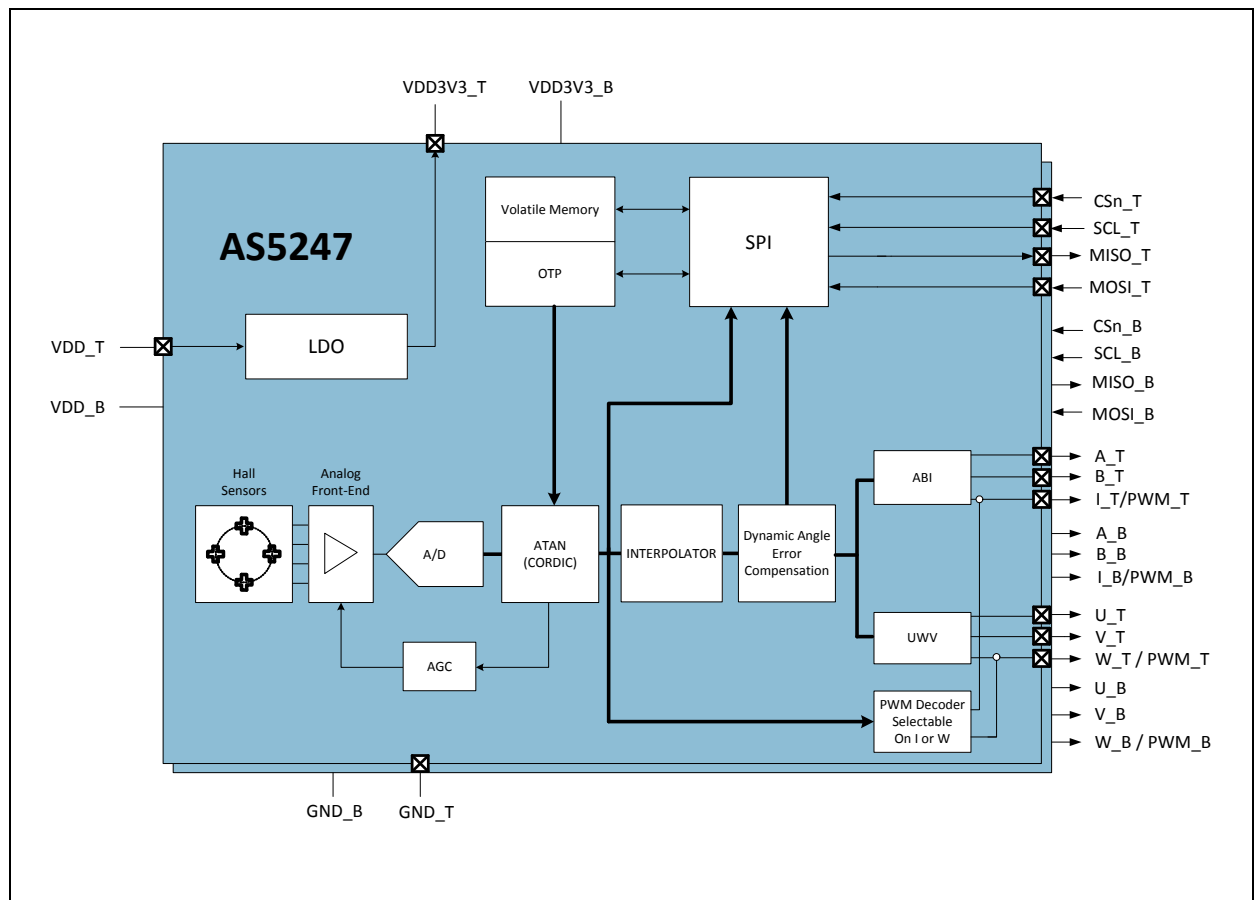
Applications

The AS5247 has been designed to support BLDC motor commutation for the most challenging and safety-critical automotive applications (AEC-Q100 grade 0 automotive qualified) such as electric power steering (EPS), transmission (gearbox, actuator), brake (actuator) and starter & alternator.

Block Diagram

The functional blocks of this device for reference are shown below:

Figure 2:
AS5247 Block Diagram



Pin Assignments

Figure 3:
TSSOP-14 Pin Assignment

The suffix on the signal name indicates which of the two internal chips is connected to the pin (T = top die, B = bottom die). The package contains two identical chips, and no pins are shared by both chips.

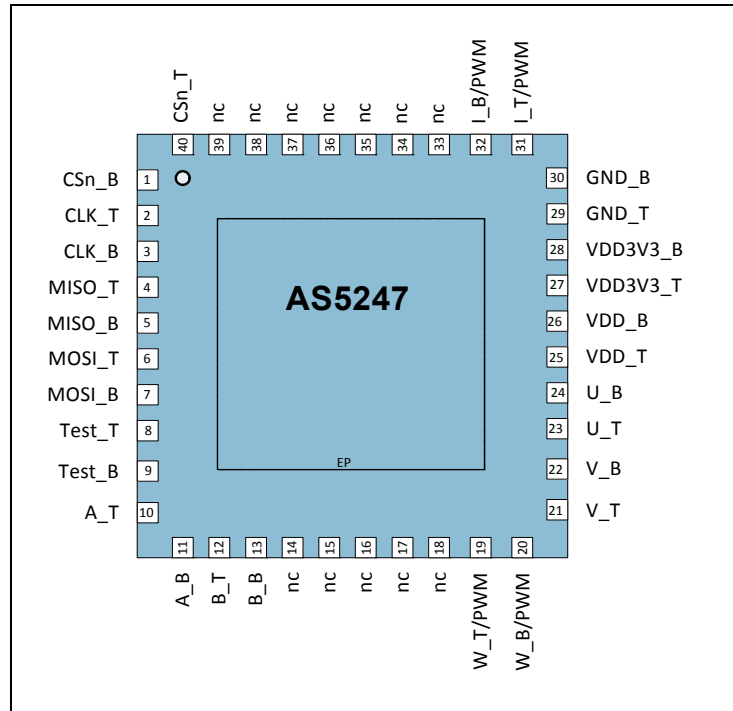


Figure 4:
Pin Description

Pin number	Pin Name	Pin Type	Pin Description
1	CSn_B	Digital input	SPI chip select (active low)
2	CLK_T	Digital input	SPI Clock
3	CLK_B	Digital input	SPI Clock
4	MISO_T	Digital Output	SPI master data input, slave output
5	MISO_B	Digital Output	SPI master data input, slave output
6	MOSI_T	Digital input	SPI master data output, slave input
7	MOSI_B	Digital input	SPI master data output, slave input
8	Test_T		Test pin. Connected to ground
9	Test_B		Test pin. Connected to ground
10	A_T	Digital Output	Incremental signal A
11	A_B	Digital Output	Incremental signal A
12	B_T	Digital Output	Incremental Signal B

Pin number	Pin Name	Pin Type	Pin Description
13	B_B	Digital Output	Incremental Signal B
14	nc		Not connected
15	nc		Not connected
16	nc		Not connected
17	nc		Not connected
18	nc		Not connected
19	W_T/PWM	Digital Output	Commutation signal W or PWM encoded output
20	W_B/PWM	Digital Output	Commutation signal W or PWM encoded output
21	V_T	Digital Output	Commutation signal V
22	V_B	Digital Output	Commutation signal V
23	U_T	Digital Output	Commutation signal U
24	U_B	Digital Output	I/ Commutation signal U
25	VDD_T	Power Supply	5V power supply voltage for on-chip regulator
26	VDD_B	Power Supply	5V power supply voltage for on-chip regulator
27	VDD3V3_T	Power Supply	3.3V on-chip low-dropout(LDO) output. Requires an external decoupling capacitor (1uF)
28	VDD3V3_B	Power Supply	3.3V on-chip low-dropout(LDO) output. Requires an external decoupling capacitor (1uF)
29	GND_T	Power Supply	Ground
30	GND_B	Power Supply	Ground
31	I_T/PWM	Digital Output	Index signal or PWM encoded output
32	I_B/PWM	Digital Output	Index signal or PWM encoded output
33	n.c		
34	n.c		
35	n.c		
36	n.c		
37	n.c		
38	n.c		
39	n.c		
40	CSn_T		SPI chip select (active low)

Absolute Maximum Ratings

Stresses beyond those listed under “Absolute Maximum Ratings” may cause permanent damage to the device. These are stress ratings only. Functional operation of the device at these or any other conditions beyond those indicated under “Operating Conditions” is not implied. Exposure to absolute maximum rating conditions for extended periods may affect device reliability.

Figure 5:
Absolute Maximum Ratings

Parameter	Symbol	Min	Max	Units	Note
DC supply voltage at VDD pin	VDD5	-0.3	7.0	V	
DC supply voltage at VDD3V3 pin	VDD3	-0.3	5.0	V	
DC supply voltage at GND pin	VSS	-0.3	0.3	V	
Input pin voltage	V _{in}		VDD+0.3	V	
Input current (latch-up immunity)	I _{scr}	-100	100	mA	Norm: AEC-Q100-004
Electrostatic discharge	ESD	±2		kV	Norm: AEC-Q100-002
Total power dissipation (all supplies and outputs)	P _t		150	mW	
Ambient temperature 5V0	T _{a5V0}	-40	150	°C	In the 5.0V power supply mode only
Ambient temperature 3V3	T _{a3V3}	-40	150	°C	In the 3.3V power supply mode if NOISESET=1
Programming Temperature	T _{aProg}	5	45	°C	Programming @ Roomtemperature (25°C ± 20°C)
Storage temperature	T _{strg}	-55	150	°C	
Package body temperature	T _{body}		260	°C	Norm: IPC/JEDEC J-STD-020
Humidity non-condensing		5	85	%	
Moisture sensitivity level			3		Represents a maximum floor lifetime of 168h

Electrical Characteristics

All limits are guaranteed. The parameters with min and max values are guaranteed with production tests or SQC (Statistical Quality Control) methods.

Figure 6:
Electrical Characteristics

Symbol	Parameter	Conditions	Min	Typ	Max	Unit
VDD	Positive supply voltage	5.0V operation mode	4.5	5.0	5.5	V
VDD3V3	Positive supply voltage	3.3V operation mode; only from -40 to 125°C	3.0	3.3	3.6	V
VDD3V3_150	Positive supply voltage	3.3V operation mode; only from -40 to 150°C (3V150°C Bit has to be set)	3.0	3.4	3.6	V
VDD_Burn	Positive supply voltage	Supply voltage required for programming in 3.3V operation	3.3		3.5	V
VREG	Regulated Voltage	Voltage at VDD3V3 pin if VDD ≠ VDD3V3	3.2	3.4	3.6	V
VporOFF	Internal POR-on level	At power-on (VDD rising from 0 to 5.0V)	2.47		2.83	V
VporOFF	Internal POR-off level	At power-off (VDD falling from 5.0 to 0V)	2.24		2.56	V
Vporh	Internal POR hysteresis		170			mV
IDD	Supply current	Only for one die. Must be multiplied by 2			15	mA
VIH	High-level input voltage		$0.7 \times VDD$			V
VIL	Low-level input voltage				$0.3 \times VDD$	V
VOH	High-level output voltage		$VDD - 0.5$			
VOL	Low-level output voltage				$VSS + 0.4$	V
I_Out	Current on digital output				4	mA

Magnetic Characteristics

Figure 7:
Magnetic Specifications

Symbol	Parameter	Conditions	Min	Typ	Max	Unit
Bz	Orthogonal magnetic field strength, normal operating mode	Required orthogonal component of the magnetic field strength measured at the die's surface along a circle of 1.1mm	35		70	mT

Note(s) and/or Footnote(s):

1. It is possible to operate the AS5247 below 35mT with reduced noise performance.

System Characteristics

Figure 8:
System Specifications

Symbol	Parameter	Conditions	Min	Typ	Max	Units
RES	Core resolution			14		bit
RES_ABI	Resolution of the ABI interface	Programmable with register setting (ABIRES)	10		11	bit
INL _{OPT} @ 25°C	Non-linearity, optimum placement of the magnet				±0.8	Deg
INL _{OPT+TEMP}	Non-linearity optimum placement of the magnet over the full Temperature Range				±1	Deg
INL _{DIS+TEMP}	Non-linearity @ displacement of magnet and temperature -40°C to 150°C	Assuming N35H Magnet (D=8mm, H=3mm) 500um displacement in x and y z-distance @ 2000um			±1.2	Deg
ONL	RMS output noise (1 sigma)	Orthogonal component for the magnetic field within the specified range (Bz), NOISESET= 0			0.068	degree
ONH	RMS output noise (1 sigma) on SPI, ABI and UVW interfaces	Orthogonal component for the magnetic field within the specified range (Bz), NOISESET= 1			0.082	degree

Symbol	Parameter	Conditions	Min	Typ	Max	Units
ON_PWM	RMS output noise (1 sigma) on PWM interface	Orthogonal component for the magnetic field within the specified range (Bz)			0.068	degree
t _{delay}	System propagation delay –core	Reading angle via SPI	90		110	µs
t _{delay_DAE}	System propagation delay after dynamic angle error correction.	At ABI and UVW interfaces	1.5		1.9	µs
t _{sampl}	Sampling rate	Refresh rate at SPI	202	222	247	ns
DAE ₁₇₀₀	Dynamic angle error	At 1700 RPM constant speed			0.02	degree
DAE _{max}	Dynamic angle error	At 14500 RPM constant speed			0.18	degree
DAE _{acc}	Dynamic angle error at constant acceleration (25krad/s ²)	25k radians/s ² constant acceleration			0.175	degree
MS	Maximum speed				14500	RPM

Reference magnet: N35H, 8mm diameter; 3mm thickness

Timing Characteristics

Figure 9:
Timing Specifications

Symbol	Parameter	Conditions	Min	Typ	Max	Units
t _{pon}	Power-on time				10	ms

Detailed Description

The AS5547 is a Hall-effect magnetic sensor using a CMOS lateral technology. The lateral Hall sensors convert the magnetic field component perpendicular to the surface of the chip into a voltage.

The signals from the Hall sensors are amplified and filtered by the analog front-end (AFE) before being converted by the analog-to-digital converter (ADC). The output of the ADC is processed by the hardwired CORDIC (coordinate rotating digital computer) block to compute the angle and magnitude of the magnetic vector. The intensity of the magnetic field (magnitude) is used by the automatic gain control (AGC) to adjust the amplification level for compensation of the temperature and magnetic field variations.

The internal 14-bit resolution is available by reading a register through the SPI interface. The resolution on the ABI output can be programmed for 10 or 11 bits.

The Dynamic Angle Error Compensation block corrects the calculated angle for latency using a linear prediction calculation algorithm. At constant rotation speed the latency time is internally compensated by the AS5247, reducing the dynamic angle error at the SPI, ABI and UVW outputs. The AS5247 allows selecting between a UVW / ABI output and a PWM-encoded interface on the W-pin or the I-pin

At higher speeds, the interpolator fills in missing ABI pulses and generates the UVW signals with no loss of resolution. The non-volatile settings in the AS5247 can be programmed through the SPI interface without any dedicated programmer.

Power Management

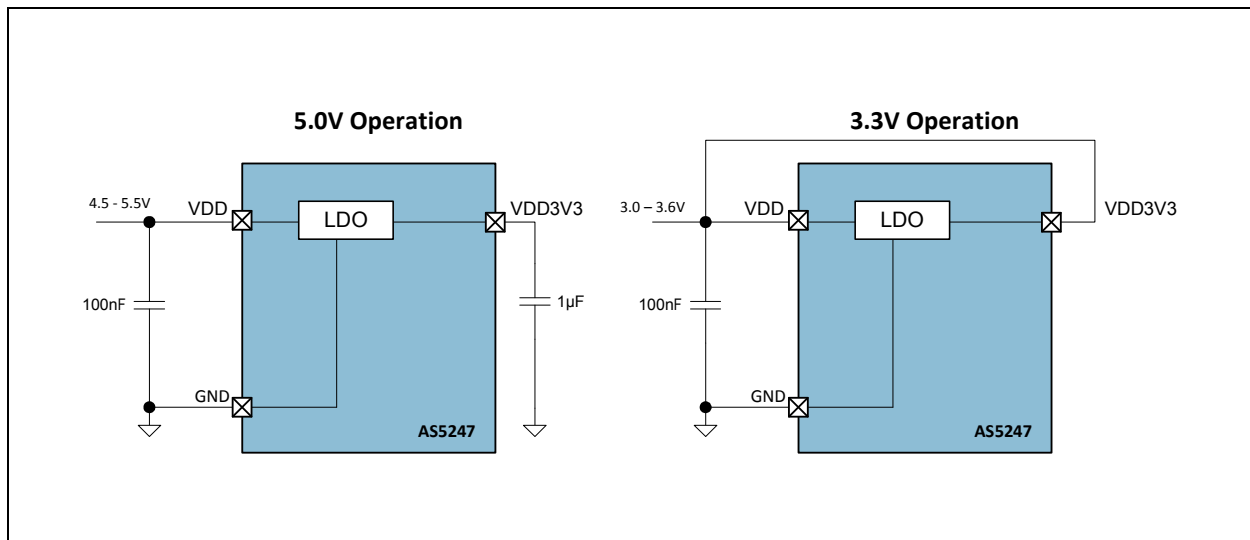
The AS5247 can be either powered from a 5.0V supply using the on-chip low-dropout regulator or from a 3.3V voltage supply. The LDO regulator is not intended to power any other loads, and it needs a 1 μ F capacitor to ground located close to the chip for decoupling as shown in [Figure 11](#).

In 3.3V operation, VDD and VREG must be tied together. In this configuration, normal noise performance (ONL) is available at reduced maximum temperature (125°C) by clearing [NOISESET](#) to 0. When [NOISESET](#) is set to 1, the full temperature range is available with reduced noise performance (ONH).

Figure 10:
Temperature Range and Output Noise in 3.3V and 5.0V Mode

VDD (V)	NOISESET	Temperature Range (°C)	RMS Output Noise (degree)
5.0	0	-40 ~ 150	0.068
3.3	0	-40 ~ 125	0.068
3.3	1	-40 ~ 150	0.082

Figure 11:
5.0V and 3.3V Power Supply Options



After applying power to the chip, the power-on time (**tpon**) must elapse before the AS5247 provides the first valid data.

Dynamic Angle Error Compensation

The AS5247 uses 4 integrated Hall sensors on Bottom Die and Top Die, which produce a voltage proportional to the orthogonal component of the magnetic field to the die. These voltage signals are amplified, filtered, and converted into the digital domain to allow the CORDIC digital block to calculate the angle of the magnetic vector. Propagation of these signals through the analog front-end and digital back-end generates a fixed delay between the time of measurement and the availability of the measured angle at the outputs. This latency generates a dynamic angle error represented by the product of the angular speed ω and the system propagation delay (**tdelay**):

$$DAE = \omega \times \text{tdelay}$$

The dynamic angle compensation block calculates the current magnet rotation speed (ω) and multiplies it with the system propagation delay (**tdelay**) to determine the correction angle to reduce this error. At constant speed, the residual system propagation delay is **tdelay_ DAEC**.

The angle represented on the **PWM** interface is not compensated by the Dynamic Angle Error Compensation algorithm. It is also possible to disable the Dynamic Angle Error Compensation with the **DAECDIS** setting. Disabling the Dynamic Angle Error Compensation gives a noise benefit of 0.016 degree rms. This setting can be advantageous for low speed (under 100 RPM) respectively static positioning applications.

SPI Interface (slave)

The SPI interface is used by a host microcontroller (master) to read or write the volatile memory as well as to program the non-volatile OTP registers. The AS5247 SPI only supports slave operation mode. It communicates at clock rates up to 10 MHz.

The AS5247 SPI uses mode=1 (CPOL=0, CPHA=1) to exchange data. As shown in Figure 12, a data transfer starts with the falling edge of CSn (SCL is low). The AS5247 samples MOSI data on the falling edge of SCL. SPI commands are executed at the end of the frame (rising edge of CSn). The bit order is MSB first. Data is protected by parity.

SPI Timing

The AS5247 SPI timing is shown in Figure 12.

Figure 12:
SPI Timing Diagram

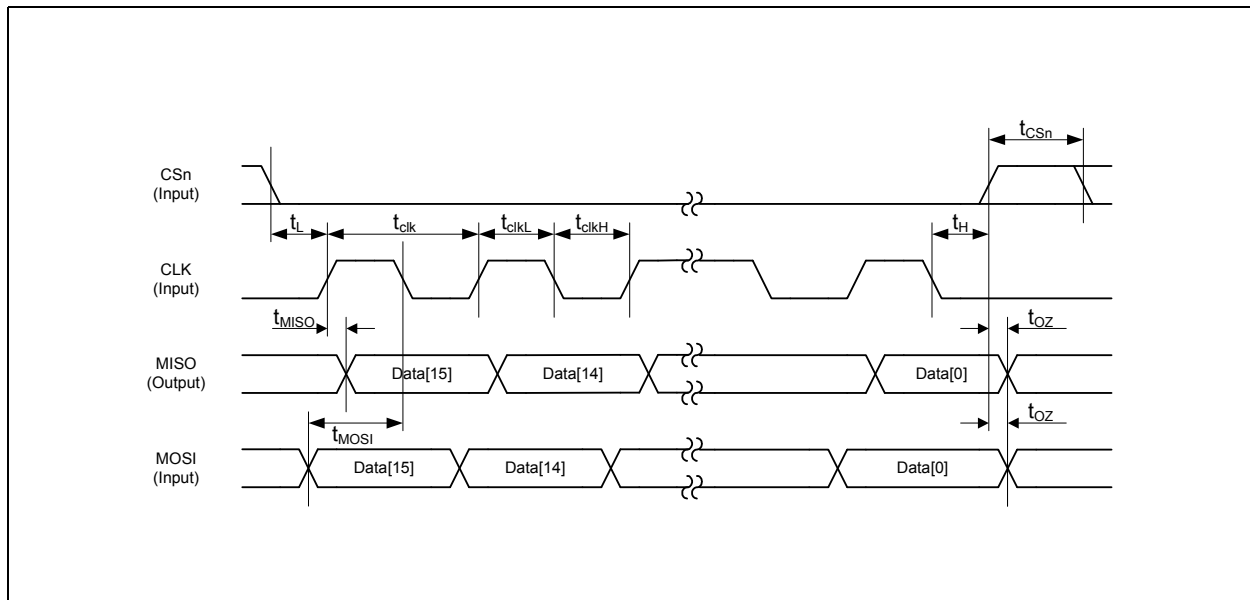


Figure 13:
SPI Timing

Parameter	Description	Min	Max	Units
t_L	Time between CSn falling edge and CLK rising edge	350		ns
t_{clk}	Serial clock period	100		ns
t_{clkL}	Low period of serial clock	50		ns
t_{clkH}	High period of serial clock	50		ns
t_H	Time between last falling edge of CLK and rising edge of CSn	$t_{clk}/2$		ns
t_{CSn}	High time of CSn between two transmissions	350		ns
t_{MOSI}	Data input valid to falling clock edge	20		ns
t_{MISO}	CLK edge to data output valid		20	ns
t_{OZ}	Release bus time after CS rising edge.		10	ns

SPI Transaction

An SPI transaction consists of a 16-bit command frame followed by a 16-bit data frame. [Figure 14](#) shows the structure of the command frame.

Figure 14:
SPI Command Frame

Bit	Name	Description
15	PARC	Parity bit (even) calculated on the command frame
14	R/W	0: Write 1: Read
13.:0	ADDR	Address to read or write

To increase the reliability of communication over the SPI, an even parity bit ([PARC](#)) must be generated and sent. A wrong setting of the parity bit causes the PARERR bit in the error flag register to be set. The parity bit is calculated from the 16-bit command frame. The 16-bit command specifies whether the transaction is a read or a write and the address.

[Figure 15](#) shows the read data frame.

Figure 15:
SPI Read Data Frame

Bit	Name	Description
15	PARD	Parity bit (even) for the data frame
14	EF	0: No command frame error command occurred 1: Error occurred
13:0	DATA	Data

The data is sent on the MISO pin. The parity bit **PARD** is calculated by the ASAS5247 for the 16-bit data frame. If an error is detected in the previous SPI command frame, the EF bit is set high. The SPI read is sampled on the rising edge of CSn and the data is transmitted on MISO with the next read command, as shown in [Figure 16](#).

Figure 16:
SPI Read

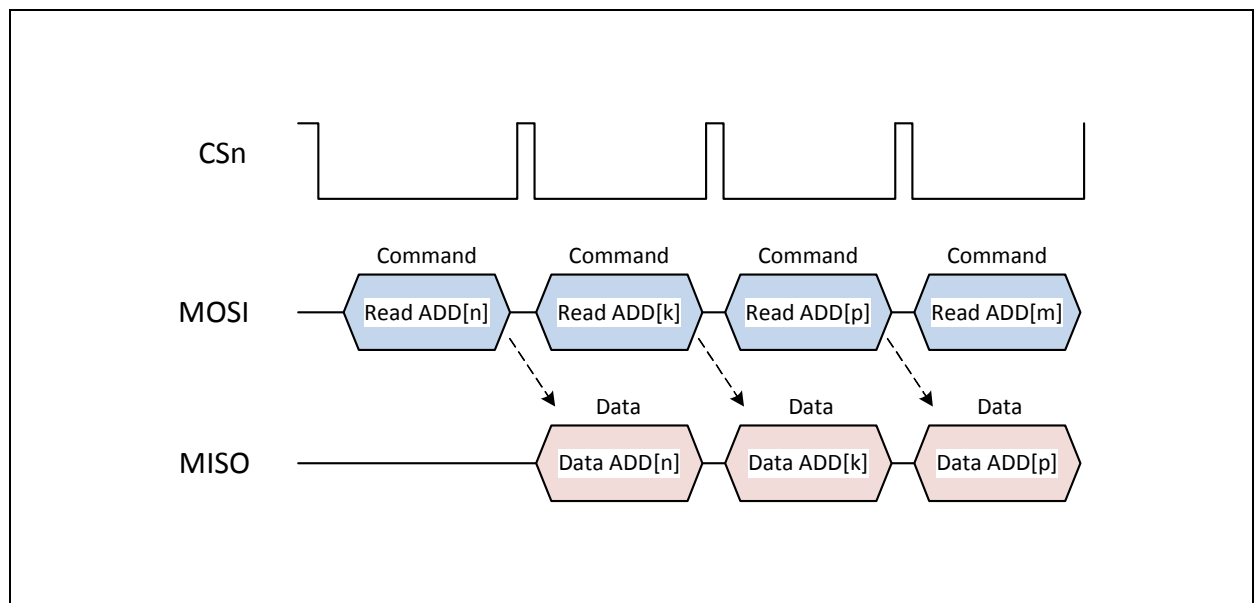


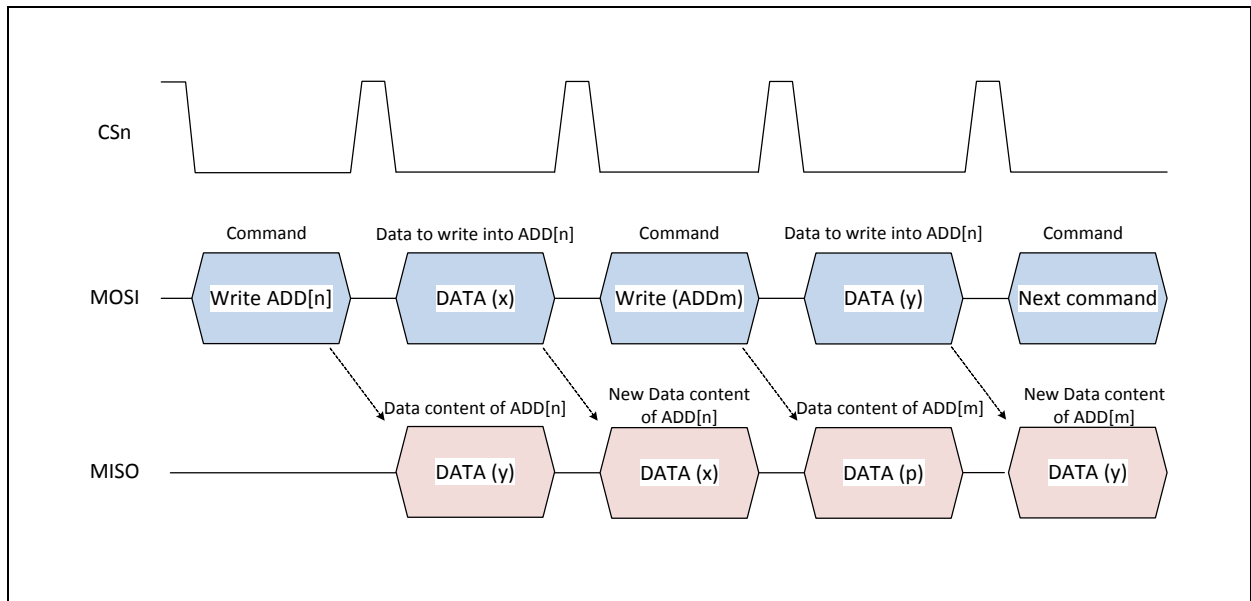
Figure 17:
SPI Write Data Frame

Bit	Name	Description
15	PARC	Parity bit (even)
14	0	Always low
13.:0	DATA	Data

The parity bit **PARD** must be calculated from the 16-bit data.

In an SPI write transaction, the write command frame (e.g. Write ADD[n]) is followed by a data frame (e.g. DATA [x]). In addition to writing an address in the AS5247, a write command frame causes the old contents of the addressed register (e.g. DATA [y]) to be sent on MISO in the following frame. This is followed by the new contents of the addressed register (DATA [x]) as shown in Figure 19).

Figure 18:
SPI Write Transaction



Volatile Registers

The volatile registers are shown in [Figure 19](#). Each register has a 14-bit address.

Figure 19:
Volatile Register Table

Address	Name	Default	Description
0x0000	NOP	0x0000	No operation
0x0001	ERRFL	0x0000	Error register
0x0003	PROG	0x0000	Programming register
0x3FFC	DIAAGC	0x0180	Diagnostic and AGC
0x3FFD	MAG	0x0000	CORDIC magnitude
0x3FFE	ANGLEUNC	0x0000	Measured angle without dynamic angle error compensation
0x3FFF	ANGLECOM	0x0000	Measured angle with dynamic angle error compensation

Reading the NOP register is equivalent to a nop (no operation) instruction for the AS5247.

Figure 20:
ERRFL (0x0001)

Name	Read/Write	Bit Position	Description
PARERR	R	2	Parity error
INVCMM	R	1	Invalid command error: set to 1 by reading or writing an invalid register address
FRERR	R	0	Framing error: is set to 1 when a non-compliant SPI frame is detected

Reading the ERRFL register automatically clears its contents (ERRFL=0x0000).

Figure 21:
PROG (0x0003)

Name	Read/Write	Bit Position	Description
PROGVER	R/W	6	Program verify: must be set to 1 for verifying the correctness of the OTP programming
PROGOTP	R/W	3	Start OTP programming cycle
OTHPREF	R/W	2	Refreshes the non-volatile memory content with the OTP programmed content
PROGEN	R/W	0	Program OTP enable: enables programming the entire OTP memory

The PROG register is used for programming the OTP memory. (See programming the zero position.)

Figure 22:
DIAAGC (0x3FFC)

Name	Read/Write	Bit Position	Description
MAGL	R	11	Diagnostic: Magnetic field strength too low; AGC=0xFF
MAGH	R	10	Diagnostic: Magnetic field strength too high; AGC=0x00
COF	R	9	Diagnostic: CORDIC overflow
LF	R	8	Diagnostic:
AGC	R	7:0	Automatic gain control value

Figure 23:
MAG (0x3FFD)

Name	Read/Write	Bit Position	Description
CMAG	R	13:0	CORDIC magnitude information

Figure 24:
ANGLEUNC (0x3FFE)

Name	Read/Write	Bit Position	Description
CORDICANG	R	13:0	Angle information without dynamic angle error compensation

Figure 25:
ANGLECOM (0x3FFF)

Name	Read/Write	Bit Position	Description
DAECANG	R	13:0	Angle information with dynamic angle error compensation.

Non-Volatile Registers (OTP)

A nonvolatile memory (One-Time Programmable) is used to store the zero position of the magnet and the custom settings. The nonvolatile memory is only available after the device is programmed otherwise the nonvolatile memory is empty after the POR.

Figure 26:
Non-Volatile Register Table

Address	Name	Default	Description
0x0016	ZPOSM	0x0000	Zero position MSB
0x0017	ZPOSL	0x0000	Zero position LSB/MAG diagnostic
0x0018	SETTINGS1	0x0000	Custom setting register1
0x0019	SETTINGS2	0x0000	Custom setting register 2
0x001A	RED	0x0000	Redundancy register

Figure 27:
ZPOSM (0x0016)

Name	Read/Write/Program	Bit Position	Description
ZPOSM	R/W/P	7:0	8 most significant bits of the zero position

Figure 28:
ZPOSL (0x0017)

Name	Read/Write/Program	Bit Position	Description
ZPOSL	R/W/P	5:0	6 least significant bits of the zero position
comp_l_error_en	R/W/P	6	This bit enables the contribution of MAGH (Magnetic field strength too high) to the system_error
comp_h_error_en	R/W/P	7	This bit enables the contribution of MAGL (Magnetic field strength too low) to the system_error

Figure 29:
SETTINGS1 (0x0018)

Name	Read/Write/Program	Bit Position	Description
IWIDTH	R/W/P	0	Width of the index pulse I (0 = 3LSB, 1 = 1LSB)
NOISESET	R/W/P	1	Noise setting
DIR	R/W/P	2	Rotation direction
UVW_ABI	R/W/P	3	Defines the PWM Output (0 = ABI is operating, W is used as PWM 1 = UVW is operating, I is used as PWM)
DAECDIS	R/W/P	4	Disable Dynamic Angle Error Compensation (0 = DAE compensation on, 1 = DAE compensation off)
Dataselect	R/W/P	6	This bit defines which data can be read form address 16383dec (3FFFhex). 0 → DAECANG 1 → CORDICANG
PWMon	R/W/P	7	enables PWM (setting of UVW_ABI Bit necessary)

Figure 30:
SETTINGS2 (0x0019)

Name	Read/Write/Program	Bit Position	Description
UVWPP	R/W/P	2:0	UVW number of pole pairs (000=1, 001=2, 010=3, 011=4, 100=5, 101=6, 110=7, 111=7)
HYS	R/W/P	4:3	Hysteresis for 11 Bit ABI Resolution: (00=3LSB, 01= 2LSB, 10=1LSB, 11=no hysteresis) for 10 Bit ABI Resolution: (00=2LSB, 01= 1LSB, 10=no Hysteresis LSB, 11=3LSB)
ABIRES	R/W/P	5	Resolution of ABI (0=11 bits, 1=10 bits)

The hysteresis is in terms of the chosen resolution (11 bits vs. 10bits) The ABIRES resolution does not affect the UVW signals.

Figure 31:
RED(0x001A)

Name	Read/Write/Program	Bit Position	Description
Redundancy	R/W/P	4:0	Redundancy bits. This field enables with force to high one bit of the Non-Volatile register map after a non-successful burning. For more details please refer to the application note "AN5000-AS5147_Redundancy_Bits"

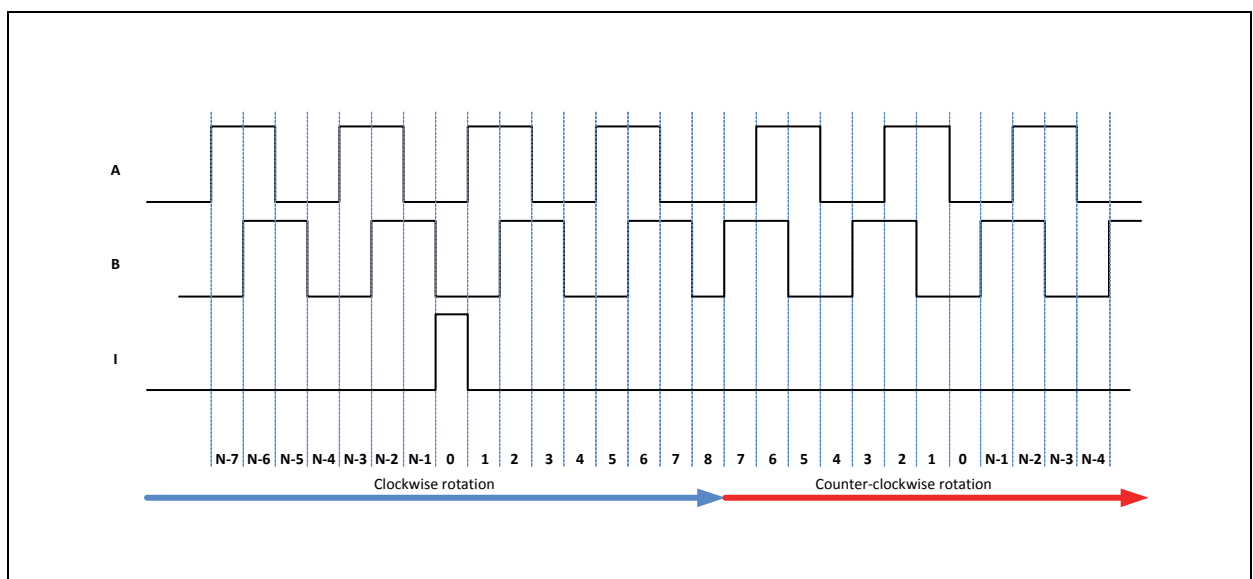
ABI Incremental Interface

The AS5247 can send the angle position to the host microcontroller through an incremental interface. This interface is available simultaneously with the other interfaces. By default, the incremental interface is set to work at the highest resolution (11 bits), which corresponds to 2048 steps per revolution or 512 pulses per revolution (ppr). This resolution can be cut in half using the OTP bit **ABIRES**, which results in 1024 steps per revolution or 256 pulses per revolution.

The phase shift between the A and B signals indicates the rotation direction: clockwise (B leads, A follows) or counterclockwise (A leads, B follows) as viewed from above the magnet and AS5247. The **DIR** bit can be used to invert the sense of the rotation direction.

The **IWIDTH** setting programs the width of the index pulse from 3 LSB (default) to 1 LSB.

Figure 32:
ABI Signals at 11 Bit Resolution



Note: N = 2048 for 11-bit resolution, and N = 1024 for 10-bit resolution.

The [Figure 32](#) shows the ABI signal flow if the magnet rotates in clockwise direction, placing the magnet on the top of the AS5247 and looking at the magnet from the top. With the bit [DIR](#), it is possible to invert the rotation direction.

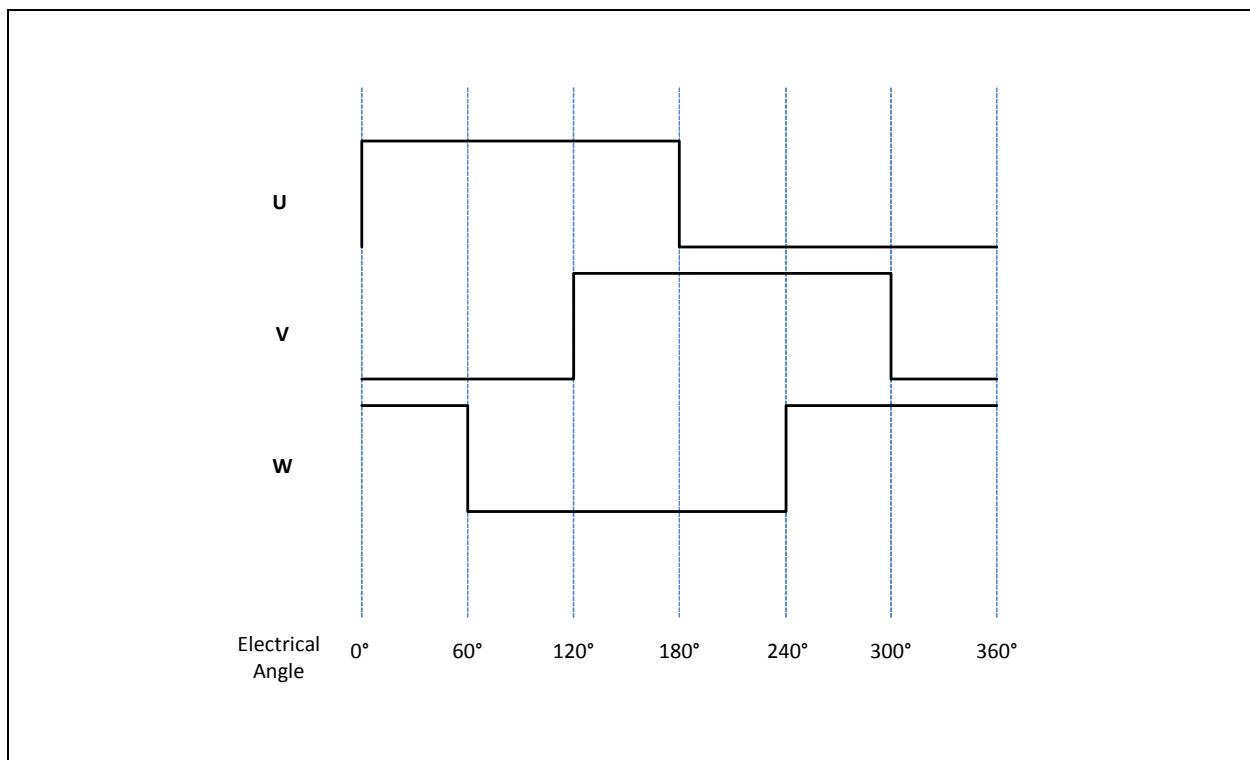
UVW Commutation Interface

The AS5247 can emulate the UVW signals generated by the three discrete Hall switches commonly used in BLDC motors.

The [UVWPP](#) field in the SETTINGS register selects the number of pole pairs of the motor (from 1 to 7 pole pairs). The UVW signals are generated with 14-bit resolution.

During the start-up time, after power on of the chip, the UVW signals are low.

Figure 33:
UVW Signals



[Figure 33](#) shows the UVW signals for a magnet rotating clockwise, as viewed from above the magnet and the AS5247. The [DIR](#) bit can be used to invert the sense of the rotation direction.

PWM

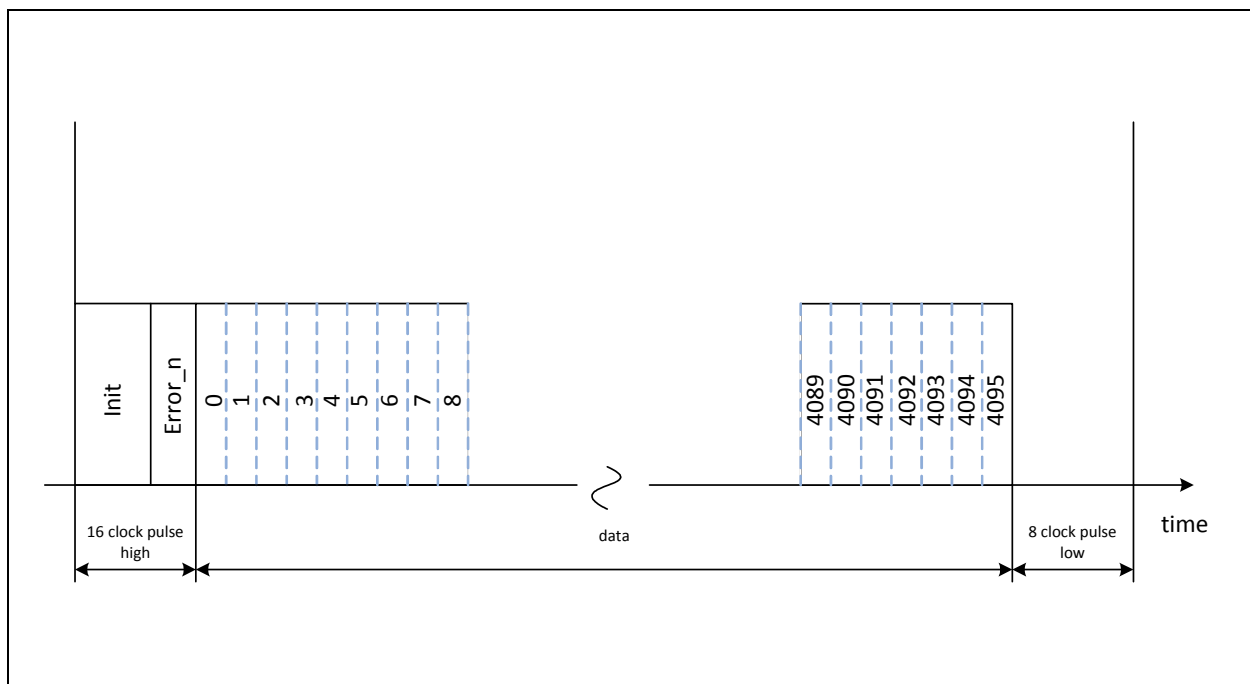
The PWM can be enabled with the bit setting **PWMon**. The PWM encoded signal is displayed on the pin W or the pin I. The bit setting **UVW_ABI** defines which output is used as PWM. The PWM output consists of a frame of 4119 PWM clock periods, as shown in **Figure 34**. The PWM frame has the following sections:

- 12 PWM Clocks for INIT
- 4 PWM Clocks for Error detection
- 4095 PWM clock periods of data
- 8 PWM clock periods low

The angle is represented in the data part of the frame with a 12-bit resolution. One PWM clock period represents 0.088 degree and has a typical duration of 444 ns.

If the embedded diagnostic of the AS5247 detects any error the PWM interface displays only 12 clock periods high (0.3% duty-cycle).

Figure 34:
Pulse Width Modulation Encoded Signal



Hysteresis

The hysteresis can be programmed in the **HYS** bits of the **SETTINGS** register. The hysteresis can be 1, 2, or 3 LSB bits, in which the LSB is defined by the ABI resolution setting (**ABIRES**).

Figure 35:
Hysteresis Settings

HYS	HYSTERESIS with 11BIT ABI Resolution	HYSTERESIS with 10BIT ABI Resolution
00	3	2
01	2	1
10	1	0
11	0	3

Automatic Gain Control (AGC) and CORDIC Magnitude

The AS5247 uses AGC to compensate for variations in the magnetic field strength due to changes of temperature, air gap between the chip and the magnet, and demagnetization of the magnet. The automatic gain control value can be read in the AGC field of the DIAAGC register. Within the specified input magnetic field strength (**Bz**), the Automatic Gain Control works in a closed loop and keeps the CORDIC magnitude value (**MAG**) constant. Below the minimum input magnetic field strength, the CORDIC magnitude decreases and the **MAGL** bit is set.

Diagnostic Features

The AS5247 supports embedded self-diagnostics.

MAGL: Magnetic field strength too high, set if AGC = 0x00. This indicates the non-linearity error may be increased.

MAGH: Magnetic field strength too low, set high if AGC = 0xFF. This indicates the output noise of the measured angle may be increased.

COF: CORDIC overflow. This indicates the measured angle is not reliable.

LF: Offset compensation completed. At power-up, an internal offset compensation procedure is started, and this bit is set when the procedure is completed.

Full Redundancy for application with high safety requirements

OCF error / COF error

In case of an OCF or COF error, all outputs are changing into a safe state:

SPI Output: Information in the DIAAGC (0x3FFC) register. The angle information is still valid.

PWM Output: PWM Clock Period 13 - 16 of the first 16 PWM Clock Periods = low. Additional there is no angle information valid (all 4096 clock periods = low)

ABI Output : The state of ABI is frozen to ABI = 111

UVW Output : The state of UVW is frozen to UVW = 000

MAGH error /MAGL error

Default diagnostic setting for MAGH error /MAGL error:

In case of a MAGH error or MAGL error, there is no safe state on the PWM,ABI or UVW outputs if comp_h_error_en= 0 & comp_h_error_en = 0. The device is operating with the performance as explained.

The error flags can be read out with the DIAAGC (0x3FFC) register.

Enhanced diagnosis setting for MAGH error / MAGL error:

In case of a MAGH error or MAGL error, the PWM,ABI or UVW outputs are going into a safe state if comp_h_error_en= 1 & comp_h_error_en = 1.

SPI Output: Information in the DIAAGC (0x3FFC) register. The angle information is still valid, if the MAGH or MAGL error flag is on.

PWM Output: PWM Clock Period 13 - 16 of the first 16 PWM Clock Periods = low. Additional there is no angle information valid (all 4096 clock periods = low)

ABI Output : The state of ABI is frozen to ABI = 111

UVW Output : The state of UVW is frozen to UVW = 000

Important: When comp_(h/l)_error_en is enabled a marginal magnetic field input can cause toggling of MAGH or MAGL which will lead to toggling of the ABI/UVW outputs between operational mode and failure mode.

Application Information

Burn and Verification of the OTP Memory

Step-by-step procedure to permanently program the non-volatile memory (OTP):

The programming can either be performed in 5V operation using the internal LDO (1uF on regulator output pin), or in 3V Operation but using a supply voltage between 3.3V and 3.5V.

1. Power on cycle
2. Write the **SETTINGS1** and **SETTINGS2** registers with the Custom settings for this application
3. Position the magnet at the desired zero position
4. Read out the measured angle from the **ANGLE** register
5. Write ANGLE [5:0] into the **ZPOSL** register and ANGLE [13:6] into the **ZPOSM** register
6. Read reg(0x0016) to reg(0x0019) → Read register step1
7. Comparison of written content (settings and angle) with content of read register step1
8. If point 7 is correct, enable OTP read / write by setting **PROGEN** = 1 in the **PROG** register
9. Start the OTP burn procedure by setting **PROGOTP** = 1 in the **PROG** register
10. Read the **PROG** register until it reads 0x0000 (Programming procedure complete)
11. Clear the memory content writing 0x00 in the whole non-volatile memory
12. Enable OTP read / write by setting **PROGEN** = 1 in the **PROG** register
13. Set the **PROGVER** = 1 to set the Guard band for the guard band test.⁽¹⁾
14. Refresh the non-volatile memory content with the OTP content by setting **OTPPREF** = 1
15. Read reg(0x0016) to reg(0x0019) → Read register step2
16. Comparison of written content (settings and angle) with content of read register step2.
Mandatory: guard band test
17. New power on cycle, if **point 16** is correct. If **point 16** fails, the test with the guard band test¹ was not successful and the device is incorrectly programmed. A reprogramming is not allowed!

1. Guard band test:

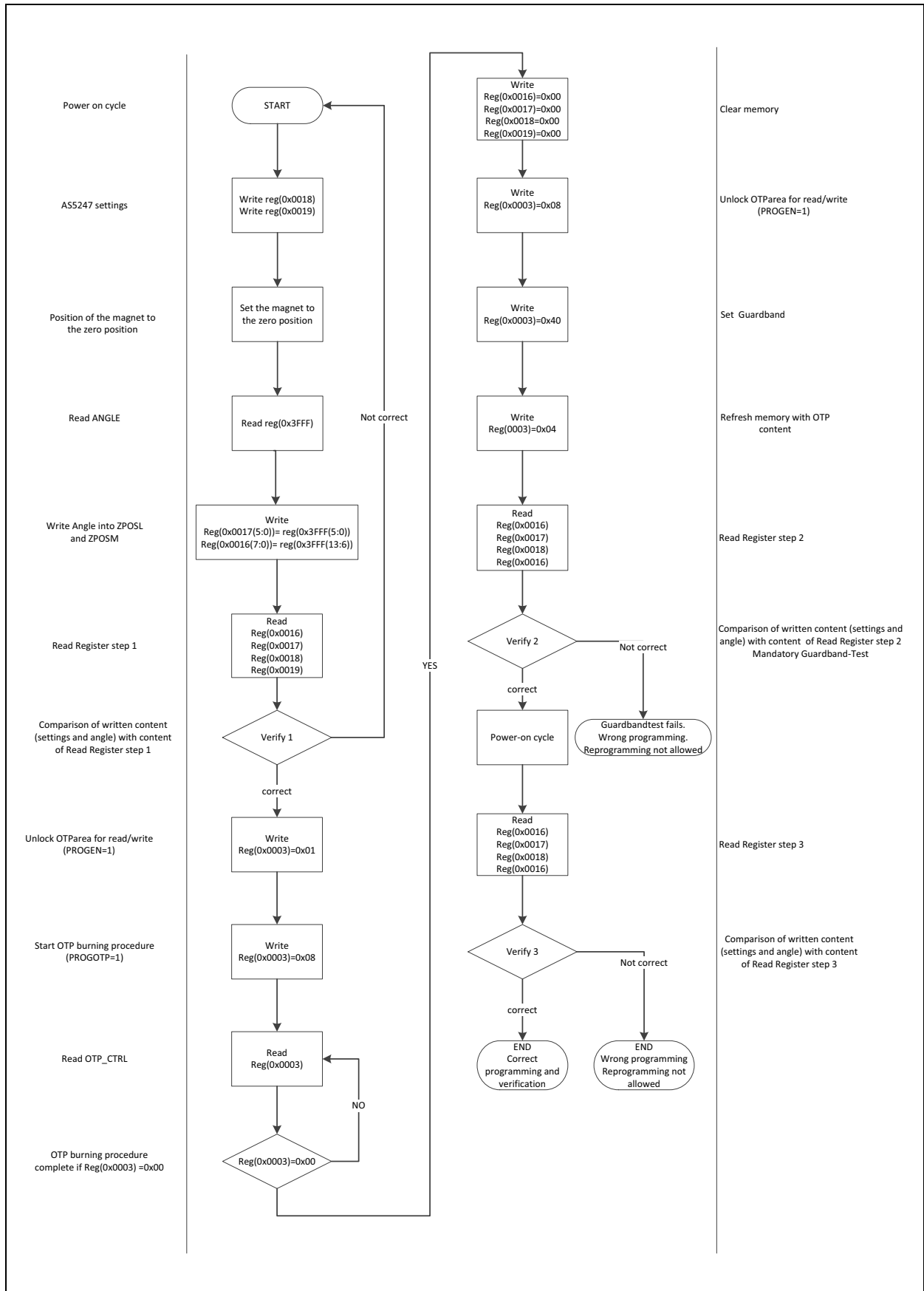
- Restricted to temperature range: 25 °C ± 20 °C
- Right after the programming procedure (max. 1 hour with same
- Conditions 25°C ± 20 °C)
- Same VDD voltage

The guard band test is only for the verification of the burned OTP fuses during the programming sequence.

A use of the guard band in other cases is not allowed.

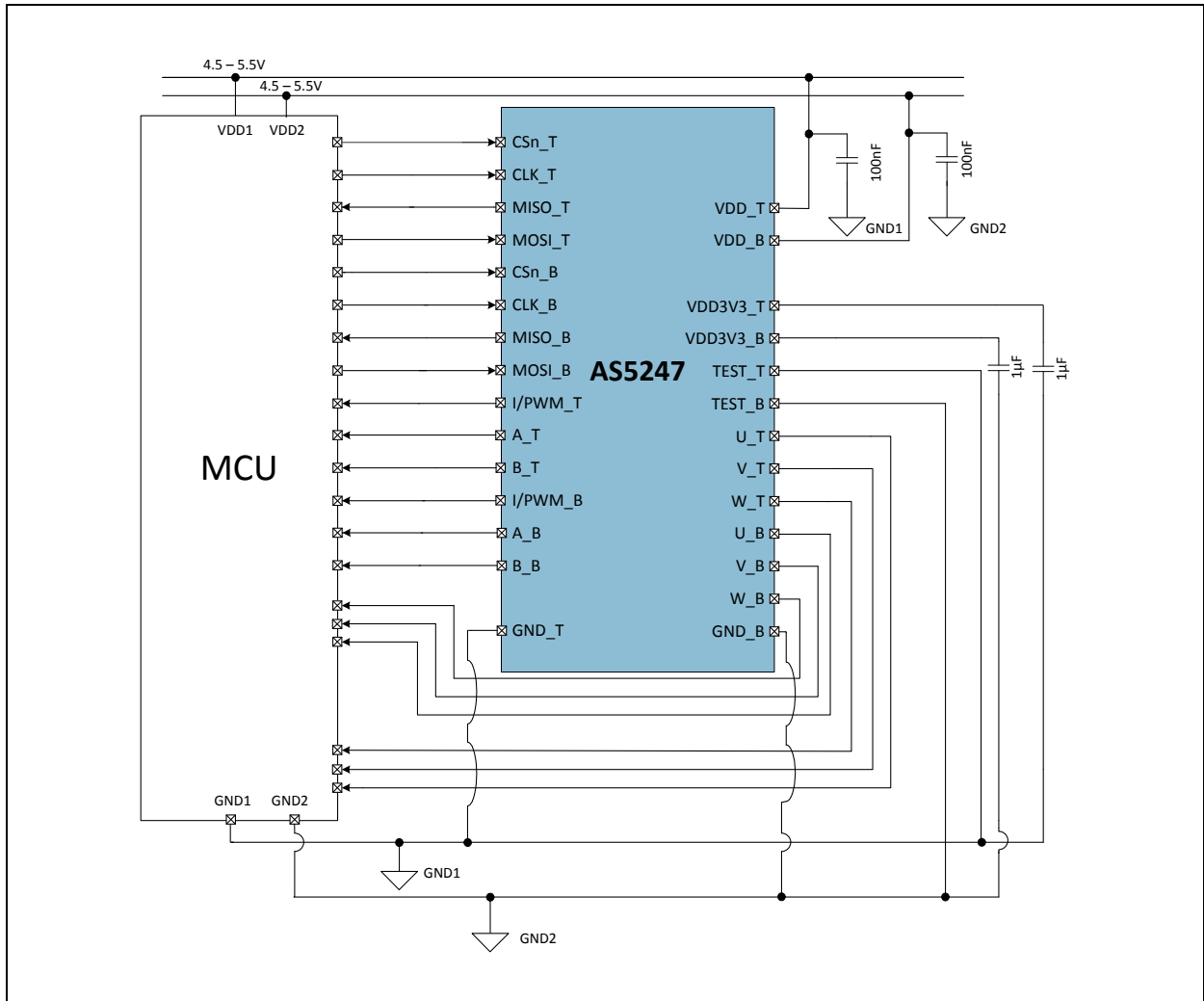
18. Read reg(0x0016) to reg(0x0019) → Read register step3
19. Comparison of written content (settings and angle) with content of read register step3.
20. If **point 19** is correct, the programming was successful. If **point 19** fails, device is incorrectly programmed. A reprogramming is not allowed.
21. Repeat **point 1** to **point 20** on the second die.

Figure 36:
OTP Memory Burn and Verification Flowchart



This procedure has to be done twice, for the Top Die and for the Bottom Die.

Figure 37:
Minimum Circuit Diagram for the AS5247



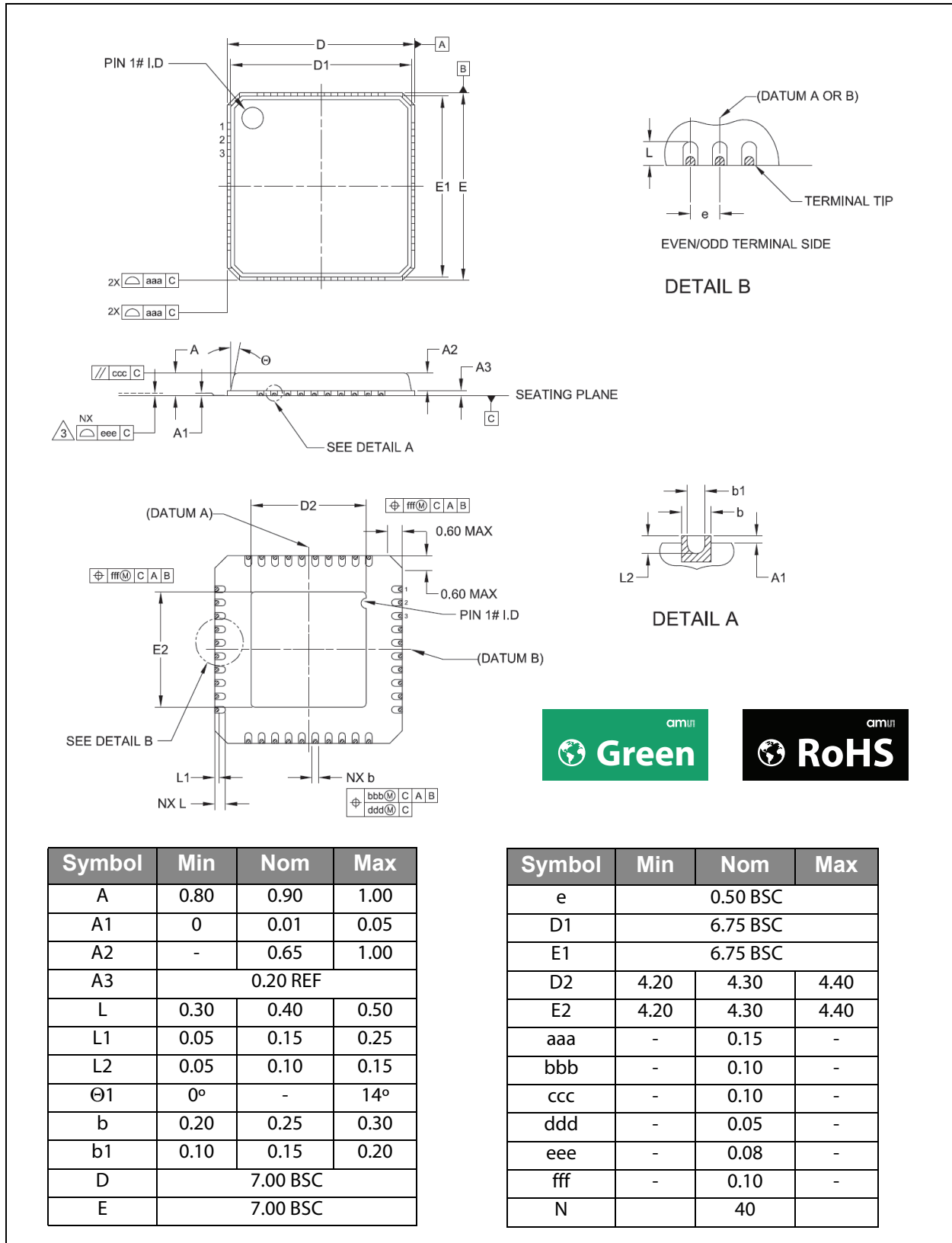
Note(s) and/or Footnote(s):

1. This application block diagram is showing the AS5247 using in a full redundant application. Interm of EMC and for remote application, additional protection circuit is necessary.

Package Drawings & Markings

The axis of the magnet must be aligned over the center of the package.

Figure 38:
Package Outline Drawing



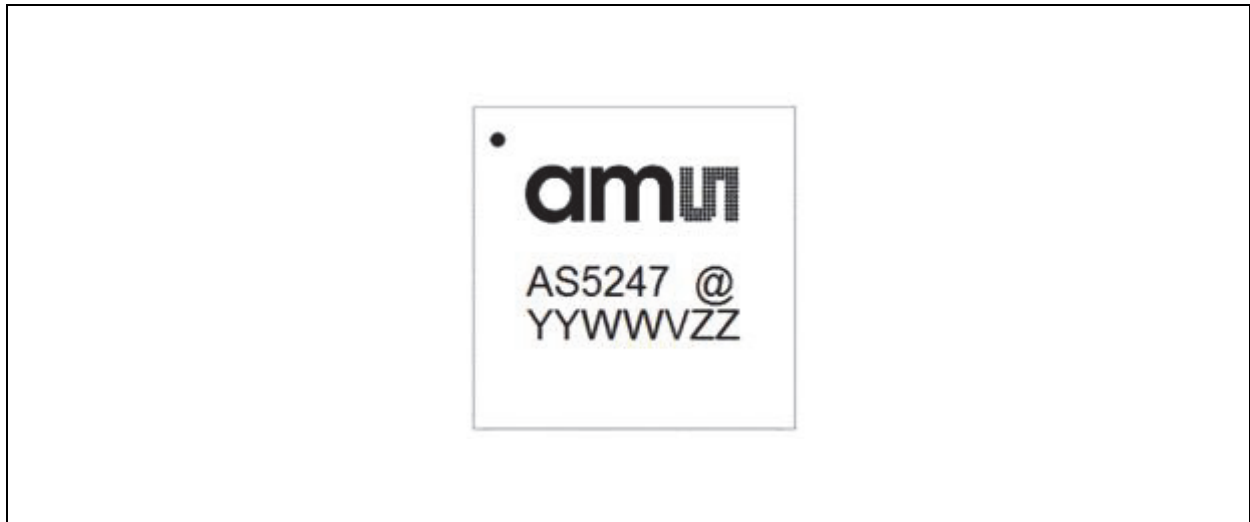
Note(s) and/or Footnote(s):

1. Dimensions & Tolerancing conform to ASME Y14.5M-1994.
2. All Dimensions are in millimeters (angles in degrees).
3. Bilateral coplanarity zone applies to the exposed pad as well as the terminal.
4. Radius on terminal is optional.
5. N is the total number of terminals.

**Figure 39:
Packaging Code**

YY	WW	I	ZZ	@
Last two digits of the current year	Manufacturing week	Plant identifier	Free choice / traceability code	Sublot identifier

**Figure 40:
Package Marking**



Mechanical Data

Figure 41:
Angle Detection by Default (no zero position programmed)

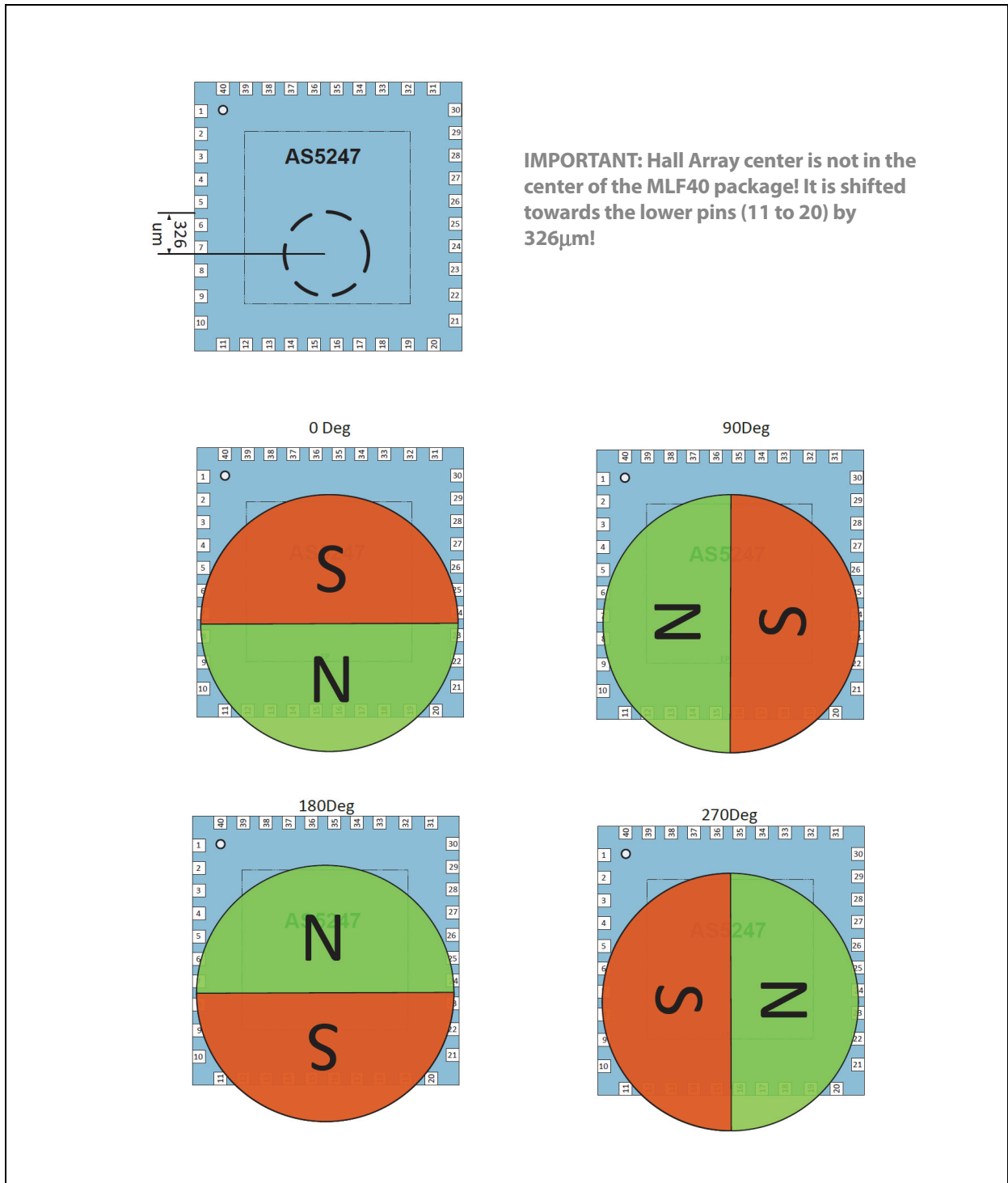
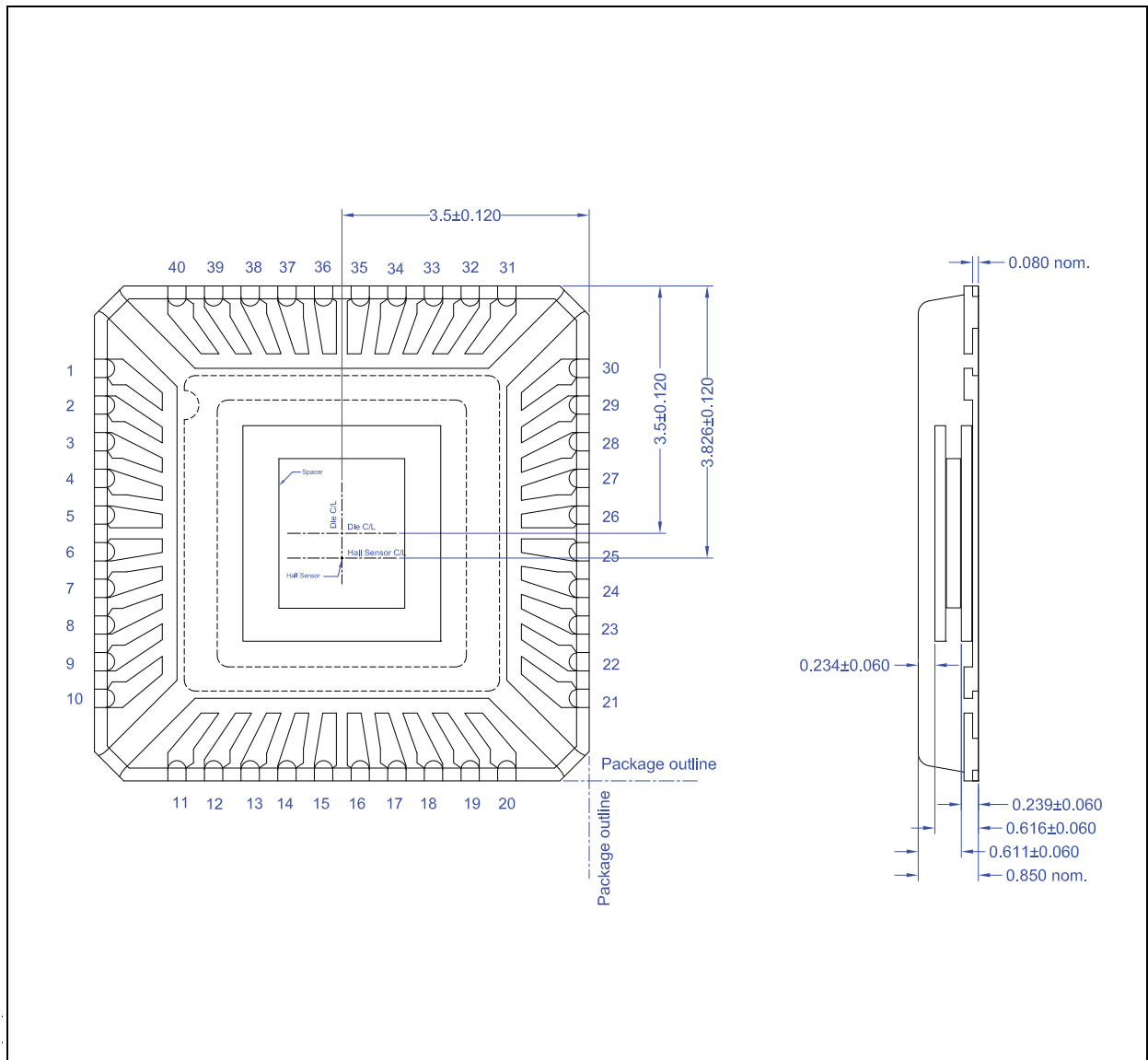


Figure 42:
Die Placement and Hall Array Position



Note(s) and/or Footnote(s):

1. All dimensions in mm.
2. Die thickness $150 \mu\text{m}$ nom.
3. Adhesive thickness $12 \mu\text{m}$ nom.
4. Spacer thickness: $230 \mu\text{m}$ typ.

Ordering & Contact Information

Figure 43:
Ordering Information

Ordering Code	Package	Marking	Delivery Form	Delivery Quantity
AS5247-HMFT	MLF-40	AS5247	13" Tape&Reel in dry pack	4000
AS5247-HMFM	MLF-40	AS5247	7" Tape&Reel in dry pack	1000

Buy our products or get free samples online at:

www.ams.com/ICdirect

Technical Support is available at:

www.ams.com/Technical-Support

For further information and requests, e-mail us at:

ams_sales@ams.com

For sales offices, distributors and representatives, please visit:

www.ams.com/contact

Headquarters

ams AG
Tobelbaderstrasse 30
8141 Unterpremstaetten
Austria, Europe

Tel: +43 (0) 3136 500 0

Website: www.ams.com

RoHS Compliant & ams Green Statement

RoHS: The term RoHS compliant means that ams AG products fully comply with current RoHS directives. Our semiconductor products do not contain any chemicals for all 6 substance categories, including the requirement that lead not exceed 0.1% by weight in homogeneous materials. Where designed to be soldered at high temperatures, RoHS compliant products are suitable for use in specified lead-free processes.

ams Green (RoHS compliant and no Sb/Br): ams Green defines that in addition to RoHS compliance, our products are free of Bromine (Br) and Antimony (Sb) based flame retardants (Br or Sb do not exceed 0.1% by weight in homogeneous material).

Important Information: The information provided in this statement represents ams AG knowledge and belief as of the date that it is provided. ams AG bases its knowledge and belief on information provided by third parties, and makes no representation or warranty as to the accuracy of such information. Efforts are underway to better integrate information from third parties. ams AG has taken and continues to take reasonable steps to provide representative and accurate information but may not have conducted destructive testing or chemical analysis on incoming materials and chemicals. ams AG and ams AG suppliers consider certain information to be proprietary, and thus CAS numbers and other limited information may not be available for release.

Copyrights & Disclaimer

Copyright ams AG, Tobelbader Strasse 30, 8141 Unterpremstaetten, Austria-Europe. Trademarks Registered. All rights reserved. The material herein may not be reproduced, adapted, merged, translated, stored, or used without the prior written consent of the copyright owner.

Devices sold by ams AG are covered by the warranty and patent indemnification provisions appearing in its General Terms of Trade. ams AG makes no warranty, express, statutory, implied, or by description regarding the information set forth herein. ams AG reserves the right to change specifications and prices at any time and without notice. Therefore, prior to designing this product into a system, it is necessary to check with ams AG for current information. This product is intended for use in commercial applications. Applications requiring extended temperature range, unusual environmental requirements, or high reliability applications, such as military, medical life-support or life-sustaining equipment are specifically not recommended without additional processing by ams AG for each application. This product is provided by ams AG "AS IS" and any express or implied warranties, including, but not limited to the implied warranties of merchantability and fitness for a particular purpose are disclaimed.

ams AG shall not be liable to recipient or any third party for any damages, including but not limited to personal injury, property damage, loss of profits, loss of use, interruption of business or indirect, special, incidental or consequential damages, of any kind, in connection with or arising out of the furnishing, performance or use of the technical data herein. No obligation or liability to recipient or any third party shall arise or flow out of ams AG rendering of technical or other services.

Document Status

Document Status	Product Status	Definition
Product Preview	Pre-Development	Information in this datasheet is based on product ideas in the planning phase of development. All specifications are design goals without any warranty and are subject to change without notice
Preliminary Datasheet	Pre-Production	Information in this datasheet is based on products in the design, validation or qualification phase of development. The performance and parameters shown in this document are preliminary without any warranty and are subject to change without notice
Datasheet	Production	Information in this datasheet is based on products in ramp-up to full production or full production which conform to specifications in accordance with the terms of ams AG standard warranty as given in the General Terms of Trade
Datasheet (discontinued)	Discontinued	Information in this datasheet is based on products which conform to specifications in accordance with the terms of ams AG standard warranty as given in the General Terms of Trade, but these products have been superseded and should not be used for new designs

Revision Information

Changes from 1-01 (2014-Jun-17) to current revision 1-02 (2014-Jun-20)	Page ⁽¹⁾
Updated text in Key Benefits & Features section	1
Updated Figure 5	5
Updated Figure 6	6
Updated Figure 8	7
Updated Figure 22	16
Updated PWM section & Figure 34	21

Note(s) and/or Footnote(s):

1. Page numbers for the previous version may differ from page numbers in the current revision.

Content Guide

1	General Description
1	Key Benefits & Features
2	Applications
2	Block Diagram
3	Pin Assignments
5	Absolute Maximum Ratings
6	Electrical Characteristics
7	Magnetic Characteristics
7	System Characteristics
8	Timing Characteristics
9	Detailed Description
9	Power Management
10	Dynamic Angle Error Compensation
11	SPI Interface (slave)
11	SPI Timing
12	SPI Transaction
15	Volatile Registers
17	Non-Volatile Registers (OTP)
19	ABI Incremental Interface
20	UVW Commutation Interface
21	PWM
22	Hysteresis
22	Automatic Gain Control (AGC) and CORDIC Magnitude
22	Diagnostic Features
23	OCF error / COF error
23	MAGH error /MAGL error
24	Application Information
24	Burn and Verification of the OTP Memory
28	Package Drawings & Markings
30	Mechanical Data
32	Ordering & Contact Information
33	RoHS Compliant & ams Green Statement
34	Copyrights & Disclaimer
35	Document Status
36	Revision Information