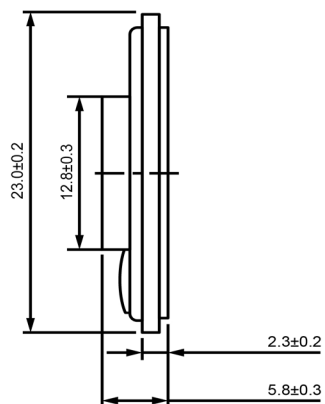
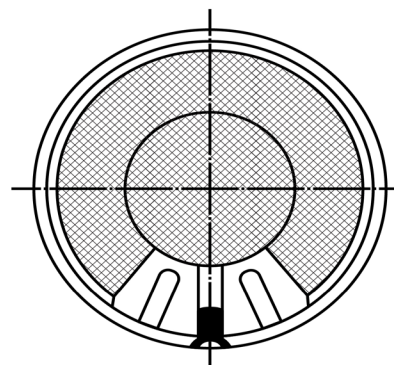




SIDE VIEW



BOTTOM VIEW



| Specifications | | | Notes | Revision History | | | | | | | | | | | |
|--|--------------|-------|--|------------------|---------------------------|--------------------|----------|--------------------|--|--------------------|--|--------------------|--|--------------------|--|
| Description | Value | Unit | | Version | Description | Date | Approved | | | | | | | | |
| Shape | Round | | 1) All dimensions are in mm unless otherwise noted 2) All parts meet RoHS  | 1 | Released from Engineering | 10/21/2013 | J.S | | | | | | | | |
| Resonant Frequency | 340 | (Hz) | | | | | | | | | | | | | |
| Frequency Range | 340 ~ 20,000 | (Hz) | | | | | | | | | | | | | |
| SPL @ 10cm | 78 | (dBA) | | | | | | | | | | | | | |
| Impedance | 32 | (Ohm) | | | | | | | | | | | | | |
| Cone Material | Mylar | | | | | | | | | | | | | | |
| Nominal Power | 0.08 | (W) | | | | | | | | | | | | | |
| Max Power | 0.15 | (W) | | | | | | | | | | | | | |
| Mount Type | Flush | | | | | | | | | | | | | | |
| Operating Temperature | -25 ~ +60 | °C | | | | | | | | | | | | | |
| Storage Temperature | -25 ~ +60 | °C | | | | | | | | | | | | | |
| Weight | 4.7 | (g) | | | | | | | | | | | | | |
| | | | | Drawn by A.B. | | Date 10/21/2013 | | Checked by C.E. | | Date 10/21/2013 | | Approved by J.S | | Date 10/21/2013 | |
|  | | | | Dynamic Speaker | | | | SM230332-1 | | | | | | | |