

40 mm sq.

San Ace 40WF

15mm thick, 20mm thick



General Specifications

- Material Frame: Plastics (Flammability: UL94V-0)
Impeller: Plastics (Flammability: UL94V-0)
- Expected Life Refer to specifications (L10:Survival rate: 90% at 60°C ,
rated voltage, and continuously run in a free air state)
- Lead Wire ⊕red ⊖black (Sensor) yellow
- Storage Temperature -30°C to +70°C (Non-condensing)

The product can be used in an oil mist environment*

*Environment where machining oil mist is scattered.
Usage of this product requires an evaluation with the oil that will be used.

40×40×15mm (Mass : 35g) **IP 55** Dust resistant device with protection against water jets

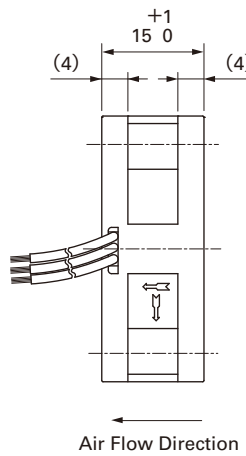
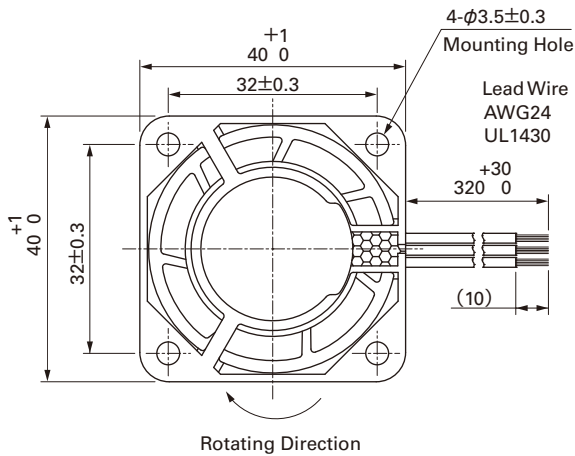
Specifications

The following nos. have pulse sensors and ribs.

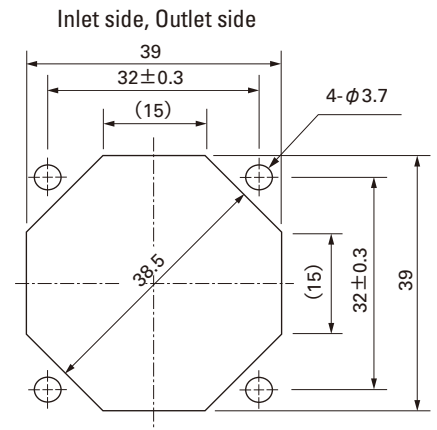
Model No.	Rated Voltage [V]	Operating Voltage Range [V]	Rated Current [A]	Rated Input [W]	Rated Speed [min ⁻¹]	Max. Air Flow [m ³ /min] [CFM]	Max. Static Pressure [Pa] [inchH ₂ O]	SPL [dB(A)]	Operating Temperature [°C]	Expected Life [h]
9WF0424H701	24	20.4 to 27.6	0.085	2.04	11,300	0.195 6.9	80 0.32	38	-10 to +70	40,000

- Available options: ⇒ Without Sensor
- Please inquire as the availability of these functions depend on the model. ⇒ Lock Sensor

Dimensions (Unit : mm)



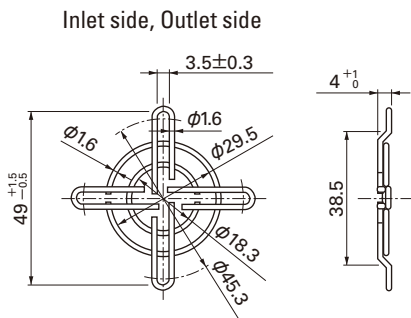
Reference dimension of mounting holes and vent opening (Unit : mm)



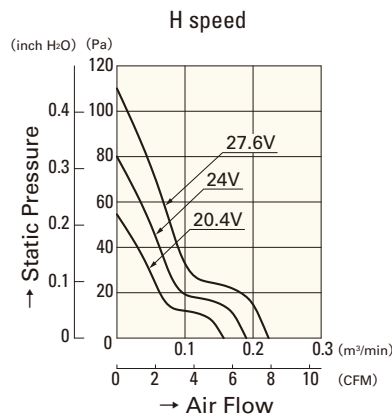
Options (Unit : mm)

Finger guards

Model : 109-059 Surface treatment : Nickel-chrome plating (silver) Color



Air Flow - Static Pressure Characteristics



9WF0424H701