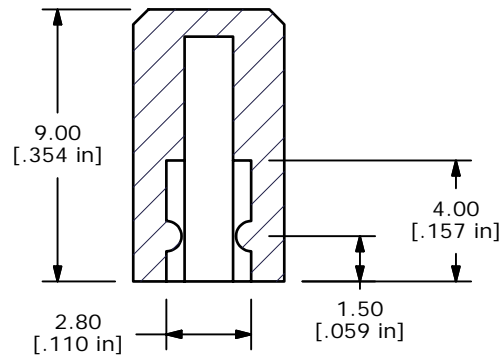
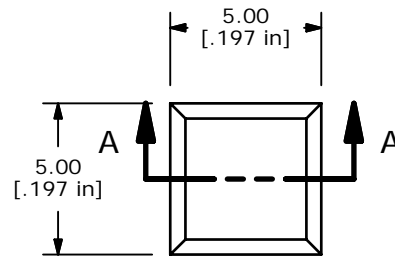
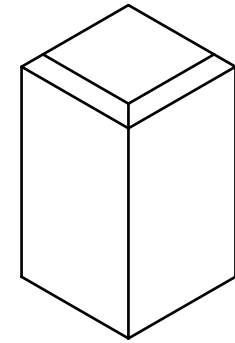


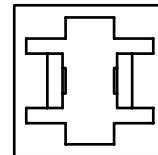
Parts List			
ITEM	QTY	PART NUMBER	DESCRIPTION
1	1	Q800310	1SBLK



SECTION A-A  
SCALE 4 : 1



ISOMETRIC



NOTES:

1. ALL DIMENSIONS IN MM [INCH]
2. GENERAL TOLERANCE: X.XX=±0.15
- ▲ 3. MATERIAL: ABS, UL94V0
- ▲ 4. COLOR: BLACK, PANTONE 3C
5. ▲ DENOTES CRITICAL PARAMETER.

**E-SWITCH<sup>®</sup>**

A	15254	RELEASED FOR PRODUCTION	9/8/05	PH
REV	PCR NO	DESCRIPTION	DATE	BY

TITLE 1SBLK-94V0				
SCALE 4:1	DATE 9/8/2005	DR PH	DWG Q800318	REV A

THE INFORMATION CONTAINED IN THIS DOCUMENT IS PROPRIETARY TO E-SWITCH AND IS NOT TO BE COPIED OR TRANSFERRED