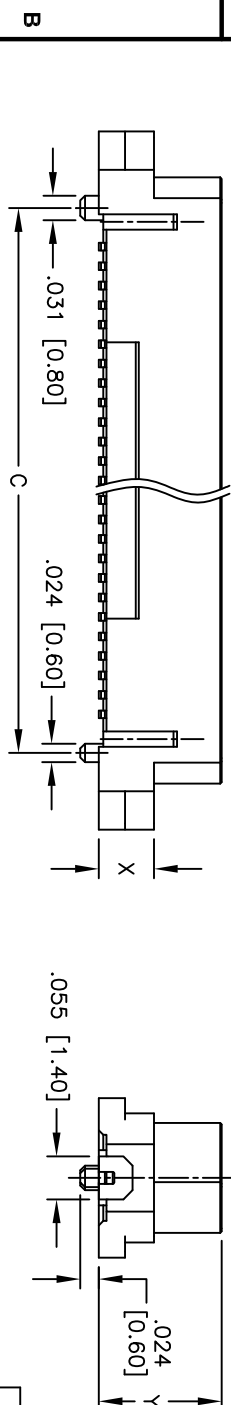
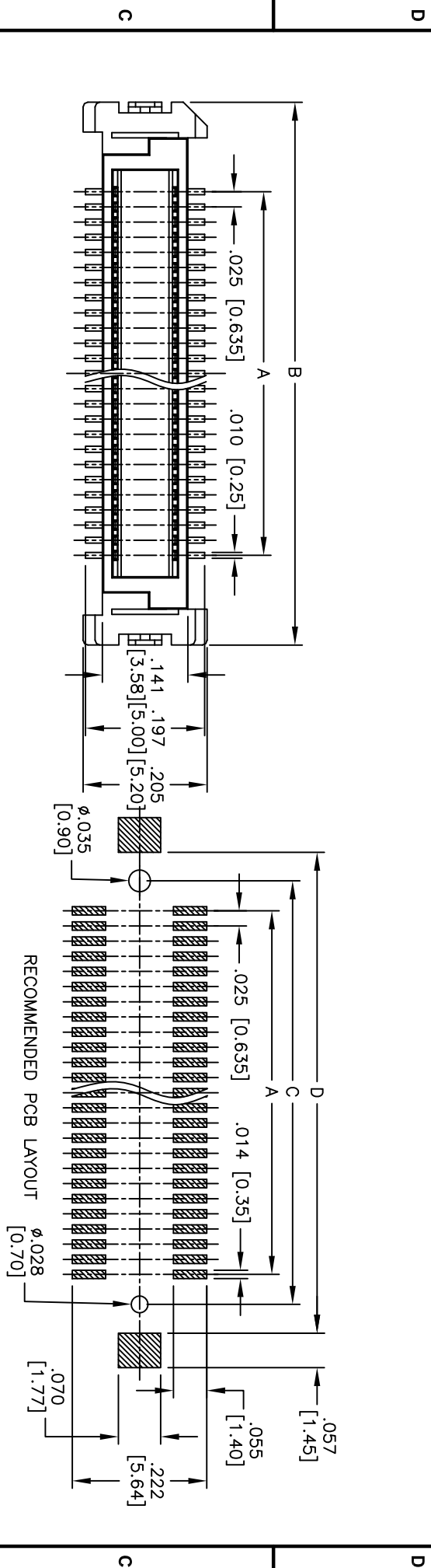


Rev	AWO #	Description	Date	Appr
-		RELEASED	12/07/10	

APPROVED: \_\_\_\_\_  
 DATE: \_\_\_\_\_ TITLE: \_\_\_\_\_



PACKAGED ON TAPE & REEL

ADAM P/N	X	Y
BB635-PE-XX-G-4.00-T/R	.071 [1.80]	.157 [4.00]
BB635-PE-XX-G-5.00-T/R	.138 [3.50]	.197 [5.00]

**SPECIFICATIONS:**  
 Material: Insulator: Hi-temp thermoplastic, rated UL 94V-0  
 Insulator color: Natural  
 Contacts: Copper Alloy  
 Hold down: Copper Alloy  
 Plating: Gold flash over Nickel underplate overall.  
 Electrical: Operating voltage: 100 VAC max  
 Current rating: 0.5A per contact  
 Contact resistance: 40 mohms max. initial  
 Insulation resistance: 1000 Mohms min  
 Environmental: Lead free, RoHS compliant  
 Recommended soldering temp: 260°C for 5 seconds

**ADAM TECH**  
 909 Rahway Avenue, Union, NJ 07083  
 Phone: 908-687-5000 Fax: 908-687-5710

**POSITIONS:** 20, 30, 40, 50  
 A = .025 [0.635] x (No. of Contacts per row - 1) + .296 [7.51]  
 B = .025 [0.635] x (No. of Contacts per row - 1) + .099 [2.51]  
 C = .025 [0.635] x (No. of Contacts per row - 1) + .207 [5.26]  
 D = .025 [0.635] x (No. of Contacts per row - 1) + .207 [5.26]



UNLESS OTHERWISE SPECIFIED ALL DIMENSIONS ARE IN INCHES [MM]		TOLERANCES: EXCEPT AS NOTED	
INCHES		HOLE SIZES	
.X	± .10	ØXX	± .10
.XX	± .020	ØXXX	± .015
.XXX	± .015	ØXXXX	± .010
APPROVALS		DATE	
DRAWN	DY	12/07/10	
CHECKED			
APPROVED			
TITLE		SIZE	PART NO.
.025 [0.635] BOARD TO BOARD PLUG, SMT TYPE		X	BB635-PE-XX-G-X-XX-T/R
REF: S0028T		SCALE: NTS	SHEET 1 OF 1