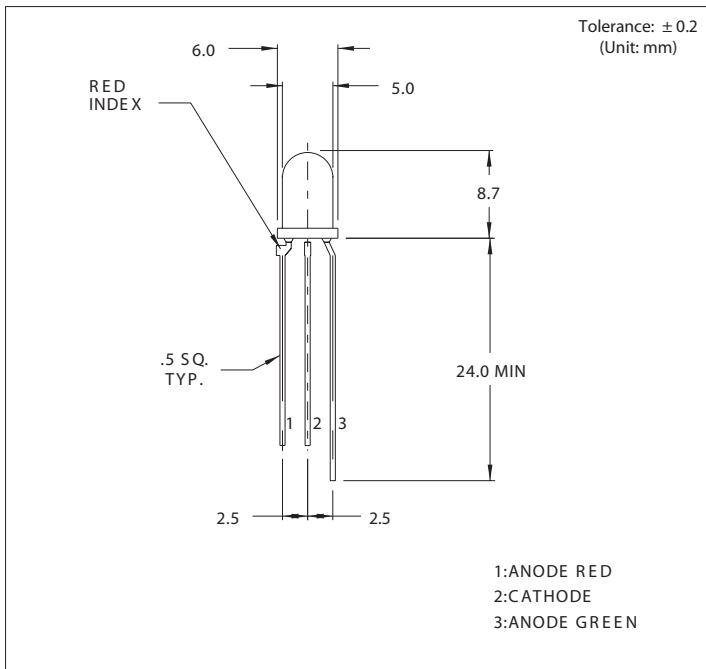


4361H1/5 High Brite Tri-Color T-1 3/4 LED Lamp

Description and Features



Features

T-1 3/4 Tri-color LED

- Provides red, green and amber in same three lead package.
- Chips are brightness matched.
- Lights amber when both chips are illuminated.

Electro-Optical Characteristics and Ratings

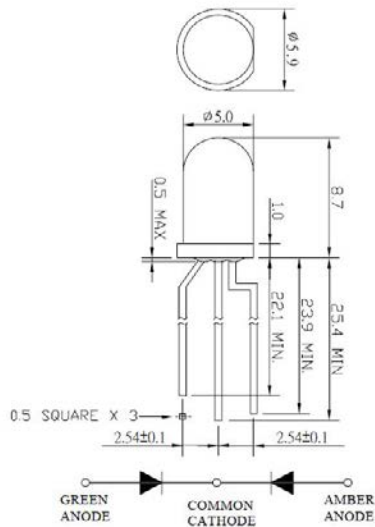
PART NUMBER	4361H1/5	
Output Color	Red	Green
Diffusion	Diffused	Diffused
Package Color	White	White
Test Current (mA)	10	10
Foward Voltage Typ. (V)	2.0	2.1
Foward Voltage Max. (V)	3.0	3.0
Luminous Intensity Min. (mcd)	2.2	3.6
Luminous Intensity Typ. (mcd)	6.3	10
Luminous Intensity Max. (mcd)	-	-
Peak Wavelength (nm)	650	563
Viewing Angle 20 1/2 (degrees)	40	40
Power Dissipation (mW)	60	75
Operating Temperature (°C)	-25 to +85	-25 to +85
Storage Temperature (°C)	-30 to + 100	-30 to + 100
Peak Forward Current Max. (1 μ s @ 10% duty cycle) (mA)	60	60
Reverse Voltage (IR = 100 μ A) (V)	3	3
Lead Solder Time @ 260°C	5	5

4361H3/5 High Brite Bi-Color T-1 3/4 LED Lamp

Description and Features

Features

- T-1 3/4 Bi-color LED
- Chips are brightness matched.



Notes:

- All dimensions are in mm.
- Tolerance is ± 0.25 mm unless otherwise noted.

Electro-Optical Characteristics and Ratings

PART NUMBER	4361H3/5	
Output Color	Red	Green
Diffusion	Diffused	Diffused
Package Color	White	White
Test Current (mA)	20	20
Forward Voltage Typ. (V)	2.1	2.1
Forward Voltage Max. (V)	2.6	2.6
Luminous Intensity Min. (mcd)	9.8	9.8
Luminous Intensity Typ. (mcd)	20.0	20.0
Luminous Intensity Max. (mcd)	-	-
Peak Wavelength (nm)	610	567
Viewing Angle 20 1/2 (degrees)	70	70
Power Dissipation (mW)	78	78
Operating Temperature (°C)	-40 to +95	-40 to +95
Storage Temperature (°C)	-40 to +100	-40 to +100
Peak Forward Current Max. (1μs @ 10% duty cycle) (mA)	60	60
Reverse Voltage (IR = 100μA) (V)	5	5
Lead Solder Time @ 260°C	5	5