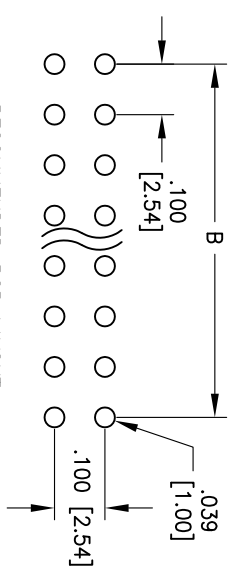
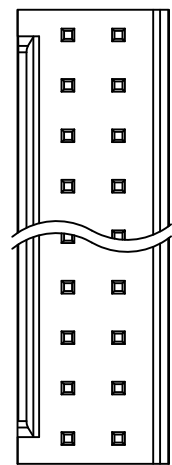
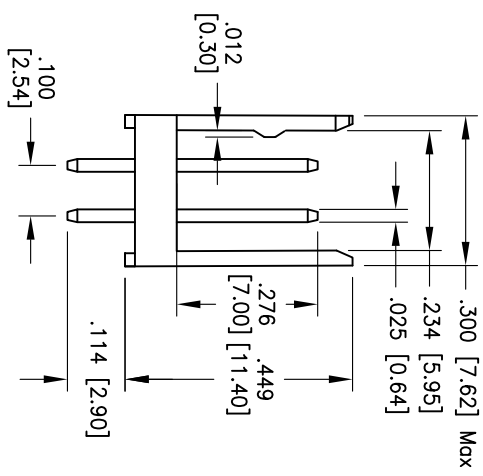
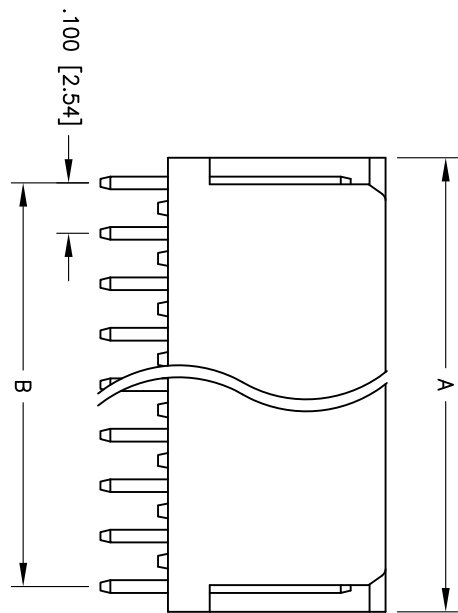


Rev	AWO #	Description	Date	Appr
-		RELEASED	4/20/10	

APPROVED: _____
 DATE: _____ TITLE: _____



RECOMMENDED PCB LAYOUT



SPECIFICATIONS:

Material: Nylon 66, rated UL 94V-0
 Insulator color: Black
 Contacts: Brass
 Plating: Tin over Copper underplate overall.

Electrical:
 Operating voltage: 250 VAC max
 Current rating: 3 Amps max
 Contact resistance: 20 mohms max
 Insulation resistance: 1,000 Mohms min
 Dielectric withstanding voltage: 600 VAC for 1 minute
 Temperature Rating: Operating temperature: -40°C to +105°C

Environmental:
 Lead free, RoHS compliant
 Recommended soldering temp: 235°C for 5 seconds



Positions: 4 thru 40
 A = .100 [2.54] x No. of Positions per row
 B = .100 [2.54] x No. of Spaces per row

UNLESS OTHERWISE SPECIFIED ALL DIMENSIONS ARE INCHES [MM]	
TOLERANCES: EXCEPT AS NOTED	
INCHES	
.X ± .10	ØXX ± .10
.XX ± .020	ØXXX ± .015
.XXX ± .015	ØXXXX ± .010
APPROVALS	DATE
DRAWN	DY
CHECKED	
APPROVED	

ADAM TECH

909 Railway Avenue, Union, NJ 07083
 Phone: 908-687-5000 Fax: 908-687-5710

TITLE: .100 [2.54] DUAL ROW LOCKING HEADER,
 LONG BACK, STRAIGHT, TIN PLATED, PCB

SIZE	PART NO.	REV.
X	LHAD-D-XX-TS-V0	-
REF: S00036T	SCALE: NTS	SHEET 1 OF 1