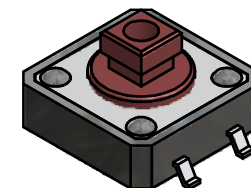
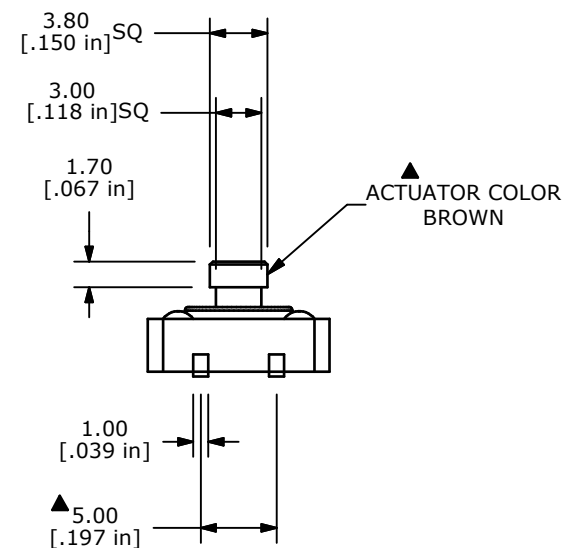
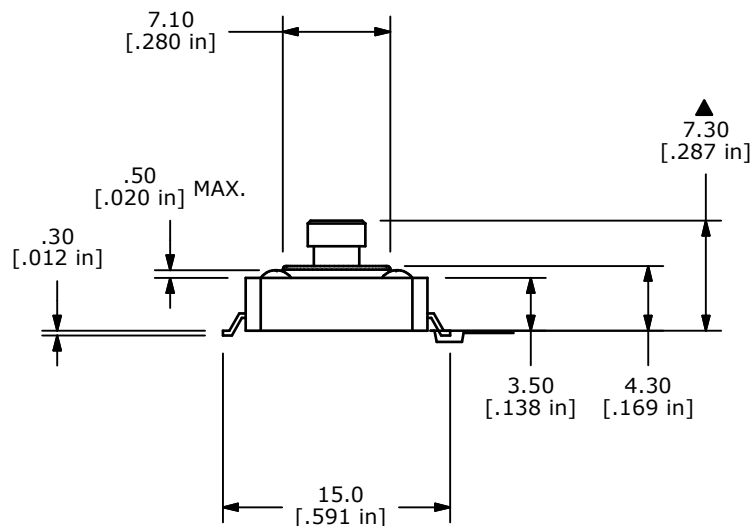
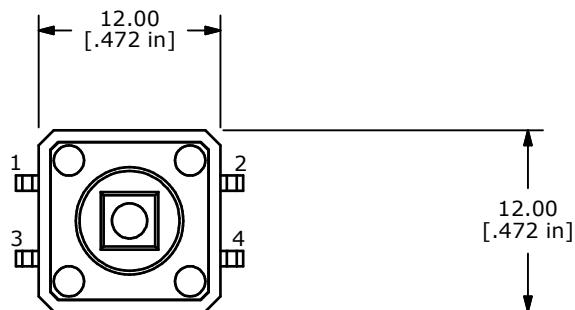


NOTES:

1. ALL DIMENSIONS IN MM [INCH]
2. GENERAL TOLERANCE: X.X=±0.4  
X.XX=±0.25
3. TERM. NOS. FOR REFERENCE ONLY.
4. RATING: 50mA @ 12VDC
- ▲ 5. OPERATING FORCE: 160 ± 50 gms
6. TRAVEL: 0.35mm ±0.1
7. CONTACT RESISTANCE: 100 MILLI OHMS MAX. (INITIAL)
8. MECHANICAL/ELECTRICAL LIFE 200,000 CYCLES MIN.
9. INSULATION RESISTANCE: 100M OHMS MIN @ 500VAC
10. DIELECTRIC STRENGTH: 250VAC FOR 1 MINUTE.
11. PACKAGING: 500 PCS. PER TAPE & REEL
12. 2002/95/EC (ROHS) COMPLIANT
13. ▲ DENOTES CRITICAL PARAMETER



ISOMETRIC

B	19439	REMOVE DOME NOTE	11/11/10	BMA
A	19309	Released For Production	9/20/10	BLR
REV	PCR NO	DESCRIPTION	DATE	BY
THE INFORMATION CONTAINED IN THIS DOCUMENT IS PROPRIETARY TO E-SWITCH AND IS NOT TO BE COPIED OR TRANSFERRED				

TITLE TL3300AF160Q

SCALE 2:1	DATE 9/20/2010	DR BLR	DWG N301106	REV B
-----------	----------------	--------	-------------	-------