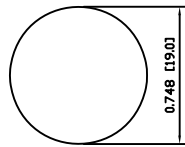
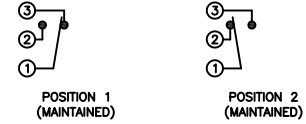


SUGGESTED PANEL CUTOUT



MAXIMUM PANEL THICKNESS: 0.433 [11.0mm]

SCHEMATIC



SPECIFICATIONS

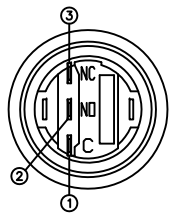
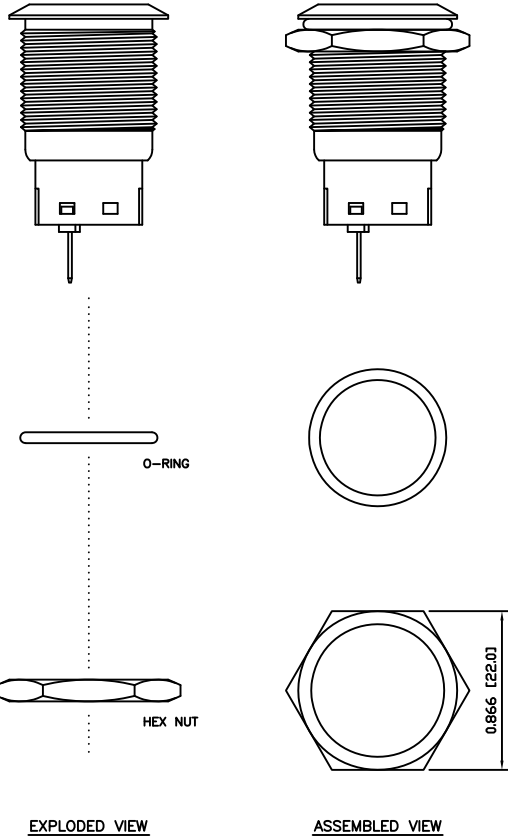
- FUNCTION: 1P2T ON-ON
- RATING: 2A 48VDC
- CONTACT RESISTANCE: Initial: 50mΩ Max. at 1A 12VDC
- INSULATION RESISTANCE: 1,000MΩ Min. at 500VDC
- DIELECTRIC STRENGTH: 2,000VAC Min. for 1 Minute
- ELECTRICAL LIFE: 50,000 Cycles
- MECHANICAL LIFE: 1,000,000 Cycles
- TEMPERATURE: Operating: -20°C to 70°C
- INGRESS PROTECTION: IP65
- APPROVALS: **RoHS** COMPLIANT

MATERIALS

- BUSHING: Aluminum
- BASE: Polybutylene Terephthalate (PBT), UL94 V-2
- ACTUATOR: Aluminum
- HARDWARE: Nickel Plated Brass (H59)
- SEALING: Silicone, Stainless Steel (304)
- INNER ASSEMBLY: Polyoxymethylene (POM), UL94 V-2, Polycarbonate (PC), UL94 V-2, Brass (H59)
- SPRING: Steel (Cr18Ni9)
- CONTACTS: Silver Plated Copper
- TERMINALS: Silver Plated Brass (H59)
- O-RING: Nitrile Butadiene Rubber (NBR)

COLORS AND FINISH

- BEZEL: Black Anodized Finish
- ACTUATOR: Black Anodized Finish
- ILLUMINATION: None
- MARKING: None



BODY	A	09/07/24	CAB
COLORS	A	09/07/24	CAB
MATERIALS	B	09/10/16	CAB
SPECIFICATIONS	A	09/07/27	CAB
REFERENCE	REV.	DATE	BY

THE INFORMATION CONTAINED IN THIS DOCUMENT IS PROPRIETARY TO E-SWITCH AND IS NOT TO BE COPIED OR TRANSFERRED

A	INITIAL RELEASE	PCRD0199	09/11/10	CAB
REV.	DESCRIPTION	PCR	DATE	DRAWN BY

DIMENSIONS	
INCHES [MILLIMETERS]	
GENERAL TOLERANCES	
±0.008 [±0.2] / ±1'	
SCALE	PROJECTION
DRAWING NOT TO SCALE	1st Angle

PV4F23011		
DRAWING NUMBER	DATE	REVISION
52-PV4F23011	NOVEMBER 10, 2009	A