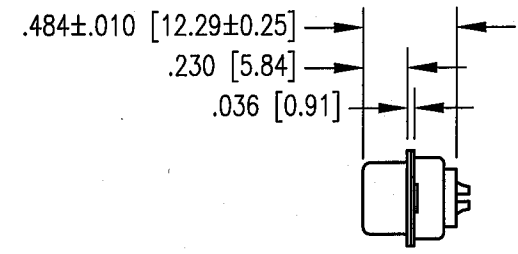
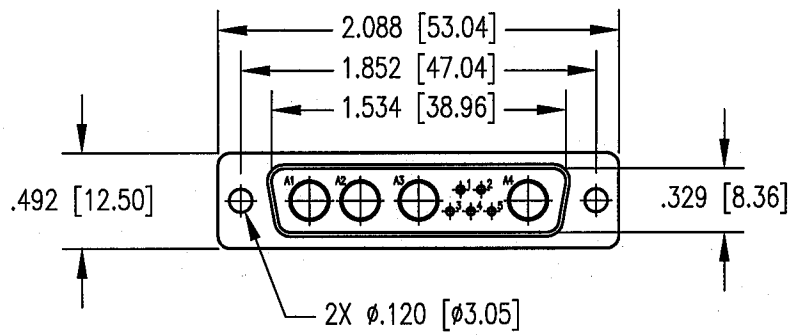
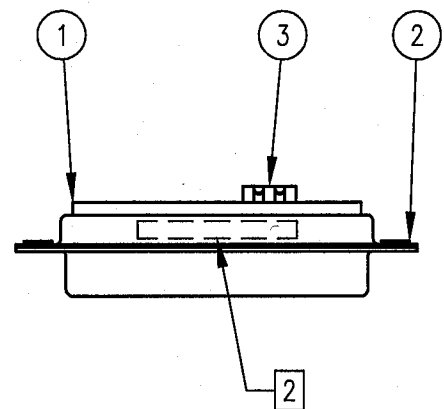


REV	DESCRIPTION	BY DATE	APPD
A	RELEASE PER ECR 7718	05/13/03 JEM	AV



NOTES:

- THIS CONNECTOR IS DESIGNED TO MEET THE APPLICABLE PERFORMANCE REQUIREMENTS OF MIL-DTL-24308, MS18271, DSCC 85039 AND DCSS 89076.
- APPROXIMATE LOCATION OF MARKING AS SHOWN ON INDICATED SURFACE.

SPECIFICATIONS:
MATERIALS & FINISHES

- INSULATOR: THERMOPLASTIC POLYESTER, GLASS FILLED
RATED 50 KV/MM. COLOR: GREEN
- SHELL: STEEL
FINISH: YELLOW CHROMATE OVER ZINC
- CONTACTS: BRASS
FINISH: GOLD OVER NICKEL

PER ASME Y14.5M-1994 UNLESS OTHERWISE SPECIFIED: DIMENSIONS ARE IN INCHES [MM]		NORTHROP GRUMMAN	
TOLERANCES: DECIMALS .XX ± .01 [0.254] .XXX ± .005 [0.127] ANGLES ± 2°		Winchester Electronics 62 Barnes Industrial Road North Wallingford, CT 06462	
SCALE: 1:1		TITLE	
CUSTOMER DRAWING		9W4P D-SUB CONNECTOR	
DRAWN JEM	DATE 05/13/03	CHECKED [Signature]	DATE 6/4/03
APPROVED [Signature]	DATE 6/4/03	APPROVED [Signature]	DATE 6/4/03
A SDRM9W4P-50-ZB		SHI. OF	REV.
		1 1	A