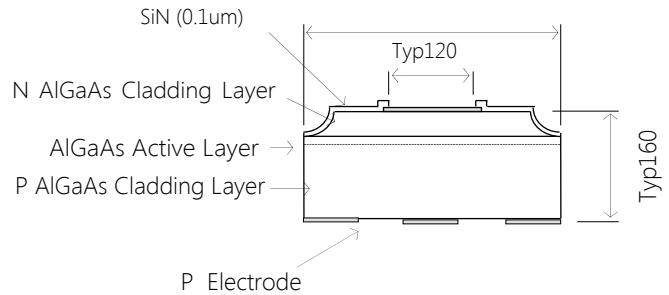
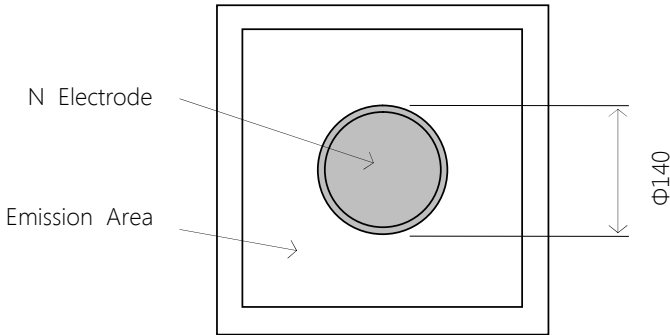


Radiation	Type	Electrodes
Visible Red LED Chip	AlGaAs	N(Cathode)up

Unit:um

Typ320



Physical Characteristics

Material: AlGaAs	Bond Pad Size: 140um diameter
Junction Size: 320um x 320um	Anode Metalization: Gold Alloy
Thickness: 160um	Cathode Metalization: Gold Alloy

Electrical Characteristics (Typical Values)

ITEMS	SYMBOL	CONDITIONS	MIN	TYP	MAX	UNIT
Forward Voltage	V _f	I _f =20mA	--	--	2.2	V
Reverse Voltage	V _r	I _r =10uA	5	--	--	V
Radiant Power*	Φ _e	I _f =20mA	1.0	--	--	mW
Peak Wavelength	λ _p	I _f =20mA	--	670	--	nm
Spectral Bandwidth at 50%	Δλ	I _f =20mA	--	30	--	nm

* LED chip is mounted on TO-18 gold header without resin coating.

Absolute Maximum Ratings (Typical Values)

Continuous Maximum Forward Current: 50mA (DC)
Reverse Voltage: 5V (I _r =10uA)
Storage Temperature
while on mylar membrane: 0 to 40 °C
after removal from mylar membrane: -30 to 100 °C



We reserve the right to make changes to improve technical design and may do so without further notice. Parameters can vary in different applications. All operating parameters must be validated for each customer application by the customer.

2014-04-24