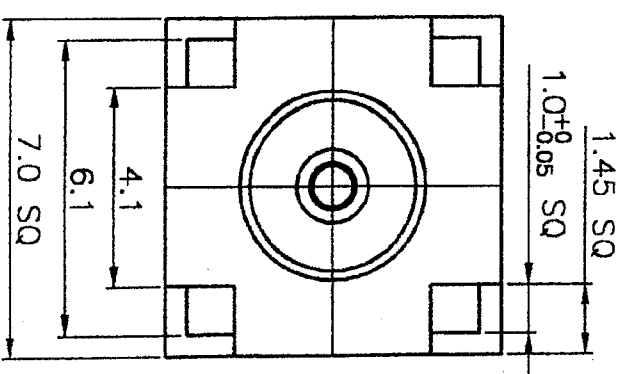
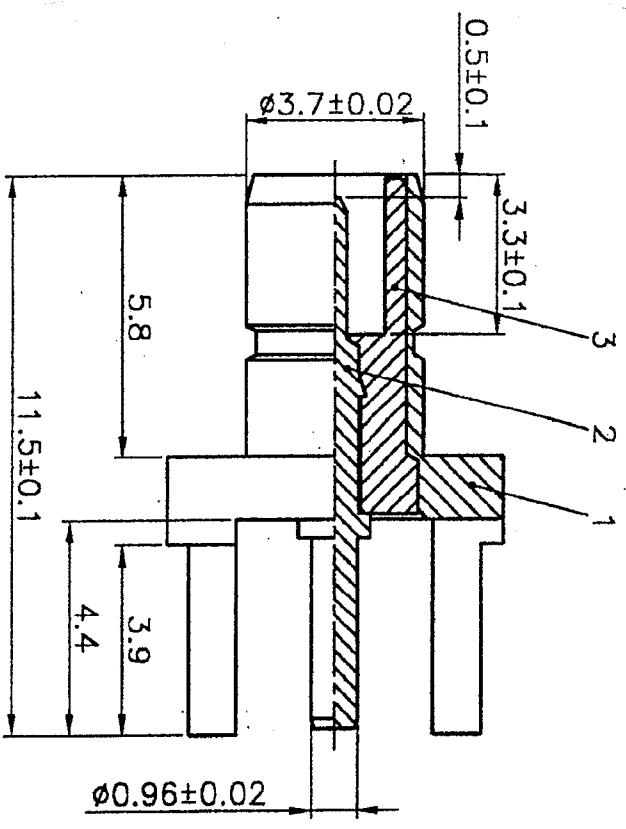


Rev	AWO #	Description	Date	Appr
-		RELEASED	11/11/04	SS

APPROVED: _____
 DATE: _____ TITLE: _____



- Notes:
1. Brass per QQ-B-626
 2. Gold plated 30u" min over nickel plated 70 min thick over copper strike
 3. Gold plated 30u" min over nickel plated 70 min thick over copper strike
 4. Teflon Mill-P-19468
 5. Beryllium copper per QQ-C-530

NO.	DESCRIPTION	MATERIAL	QTY	FINISH
3	CONTACT PIN	NOTE 5	1	NOTE 3
2	INSULATOR	NOTE 4	1	WHITE
1	BODY	NOTE 1	1	NOTE 2

UNLESS OTHERWISE SPECIFIED
 ALL DIMENSIONS ARE IN [INCHES]
 TOLERANCES: EXCEPT AS NOTED
 INCHES: .XX ± .010 .XXX ± .015
 HOLES: .XX ± .010 .XXX ± .015

ADAM TECH
 909 Rahway Avenue, Union, NJ 07083
 Phone: 908-687-5000 Fax: 908-687-0214

TITLE: **SMB FEMALE PCB MOUNT JACK**

APPROVALS	DATE	SIZE	PART NO.	REV.
SS	11/11/04	X	RF3-05-T-00-50	
CHECKED				
APPROVED				

REF: SCALE: NTS SHEET 1 OF 1