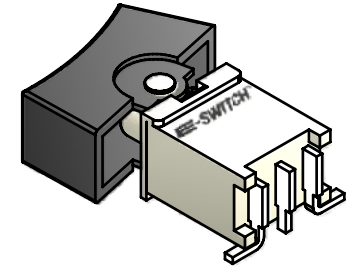
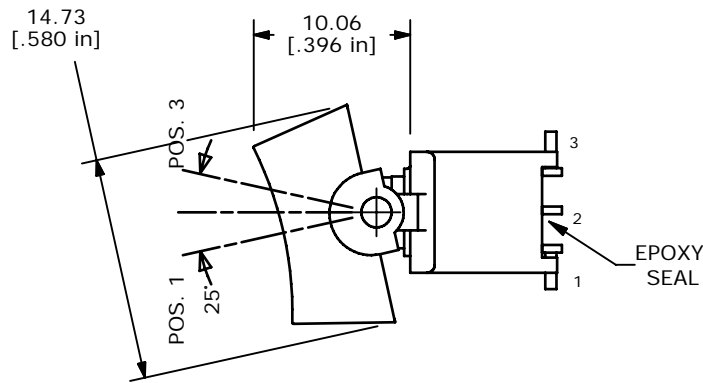
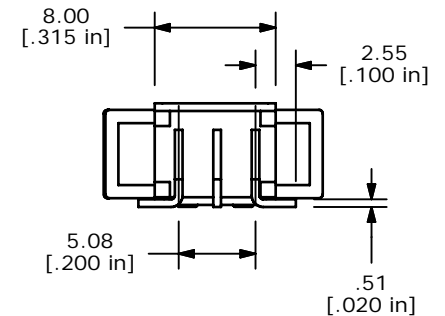
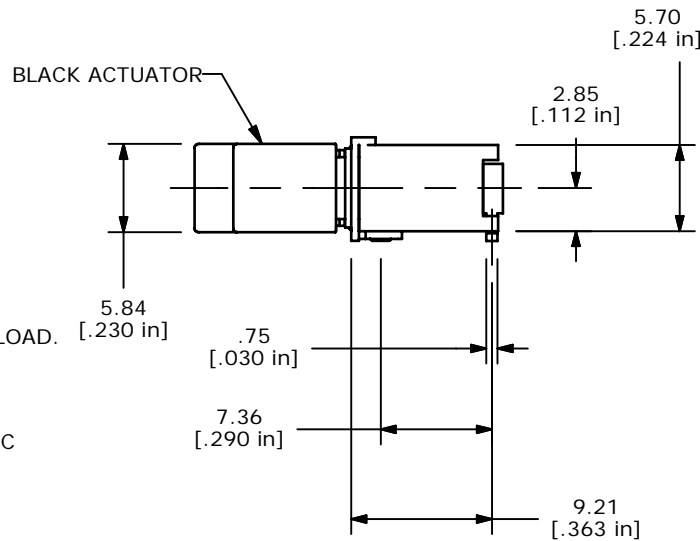
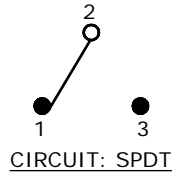


RECOMMENDED P.C.B. LAYOUT



SWITCH FUNCTION		
POS. 1	POS. 2	POS. 3
ON	NONE	ON
2-3	OPEN	2-1



NOTES:

1. ALL DIMENSIONS IN MM[INCH].
2. GENERAL TOLERANCE: X.X=±0.4
X.XX=±0.25
3. TERM. NOS. FOR REFERENCE ONLY.
4. ELECTRICAL LIFE: 50,000 MAKE-AND-BREAK CYCLES AT FULL LOAD.
- ▲ 5. CONTACT MATERIAL: GOLD
6. CONTACT RATING: .4VA MAX. @20V (AC OR DC)
7. CONTACT RESISTANCE: 20MILLI-OHMS MAX. INITIAL @2-4 VDC
8. OPERATING TEMPERATURE: -30°C TO 85°C.
- ▲ 9. TERMINALS TO BE COPLANAR TO WITHIN 0.1[.004]
10. ▲ DENOTES CRITICAL PARAMETER
11. 2002/95/EC (ROHS) COMPLIANT
12. PACKAGING: TAPE AND REEL 450 PCS. PER REEL



A	18513	NEW RELEASE	5/1/09	RC
REV	PCR NO	DESCRIPTION	DATE	BY

TITLE 400BWMSP1R2BLKSM6RE				
SCALE	DATE	DR	DWG	REV
2:1	4/30/2009	RC	T460006	A

THE INFORMATION CONTAINED IN THIS DOCUMENT IS PROPRIETARY TO E-SWITCH AND IS NOT TO BE COPIED OR TRANSFERRED