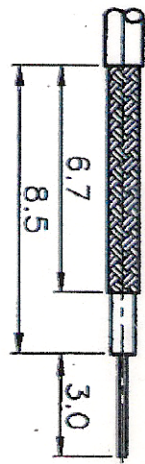
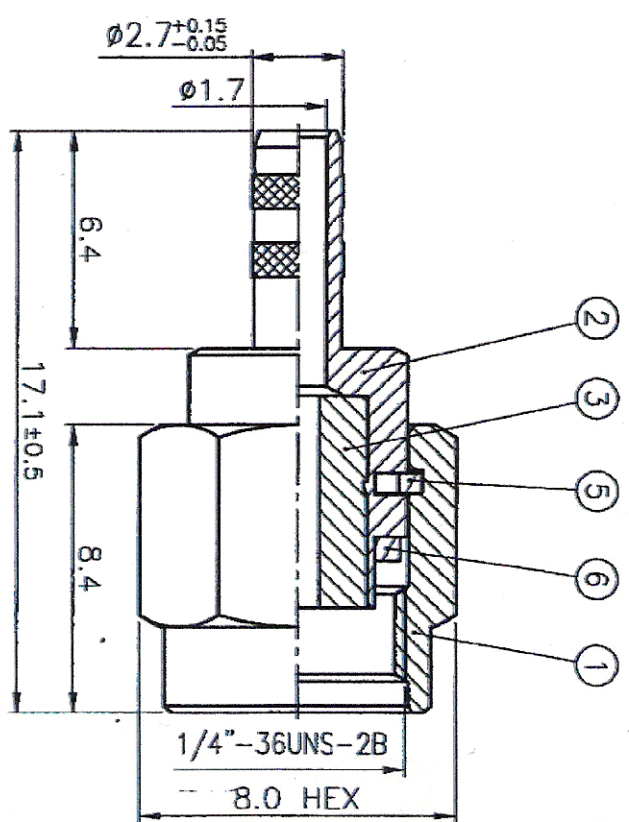
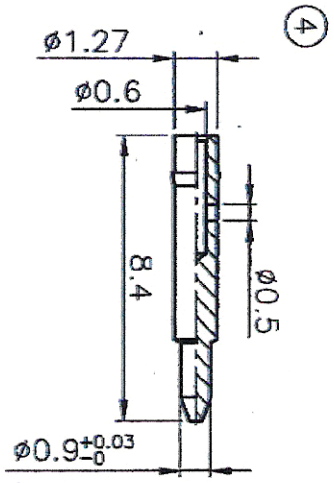
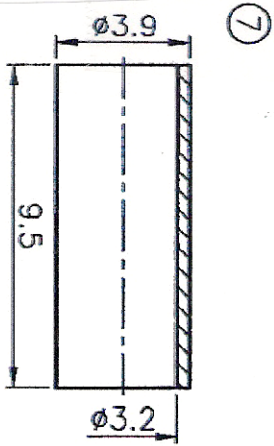


APPROVED: _____ DATE: _____ TITLE: _____



RECOMMENDED
CABLE STRIPPING DIM'S



7	RING	BRASS	30u" GOLD	1
6	GASKET	RUBBER	RED	1
5	C RING	SS		1
4	PIN	BRASS	30u" GOLD	1
3	INSULATOR	TEFLON	WHITE	1
2	BODY	BRASS	30u" GOLD	1
1	SHELL	BRASS	30u" GOLD	1
NO	DESCRIPTION	MATERIAL	FINISH	QTY

UNLESS OTHERWISE SPECIFIED
ALL DIMENSIONS ARE MM (INCHES)
TOLERANCES: EXCEPT AS NOTED

INCHES: .10
XX ± .020
XXX ± .015

HOLE: .10
ØXX ± .015
ØXXX ± .010

DATE

APPROVALS

DRAWN: SLS 4/2/04

CHECKED

APPROVED

ADAM TECH
909 Rotway Avenue, Union, NJ 07083
Phone: 908-687-5000 Fax: 908-687-0214

TITLE: SMA MALE CRIMP RG316/U

SIZE: PART NO. RF2-14-1-08-50-G

REF: SCALE: NTS SHEET 1 OF 1

Rev	AWO #	Description	Date	Appr
-		RELEASED	4/2/04	