



UF450

Power MOSFET

14A, 500V N-CHANNEL POWER MOSFET

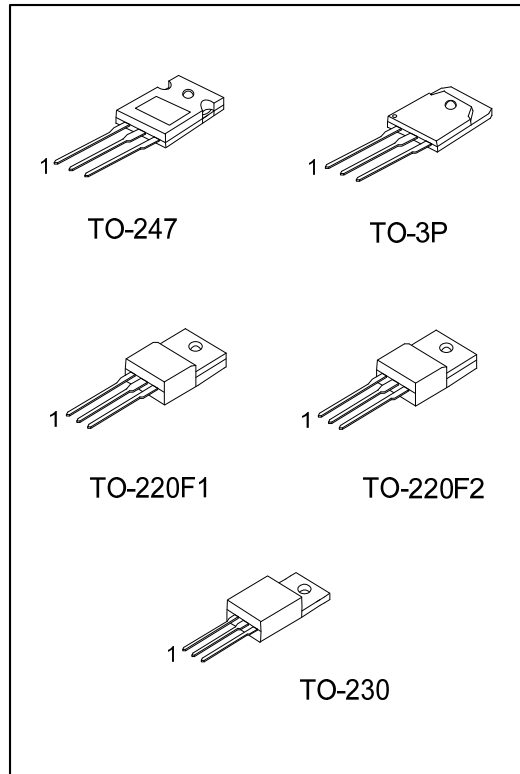
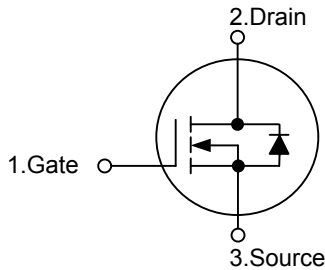
■ **DESCRIPTION**

The **UF450** uses advanced UTC technology to provide excellent $R_{DS(ON)}$, low gate charge and operation with low gate voltages. This device is suitable for use as a load switch, in PWM applications, motor controls, inverters, choppers, audio amplifiers and high energy pulse circuits.

■ **FEATURES**

- * $R_{DS(ON)} < 0.4\Omega @ V_{GS} = 10V$
- * Ultra Low Gate Charge (Max. 150nC)
- * Low Reverse Transfer Capacitance ($C_{RSS} = \text{Typical } 340pF$)
- * Fast Switching Capability
- * Avalanche Energy Specified
- * Improved dv/dt Capability

■ **SYMBOL**



■ **ORDERING INFORMATION**

Ordering Number		Package	Pin Assignment			Packing
Lead Free	Halogen Free		1	2	3	
UF450L-TF1-T	UF450G-TF1-T	TO-220F1	G	D	S	Tube
UF450L-TF2-T	UF450G-TF2-T	TO-220F2	G	D	S	Tube
UF450L-T47-T	UF450G-T47-T	TO-247	G	D	S	Tube
UF450L-TC3-T	UF450G-TC3-T	TO-230	G	D	S	Tube
UF450L-T3P-T	UF450G-T3P-T	TO-3P	G	D	S	Tube

<p>UF450L-T47-T</p> <p>(1)Packing Type (2)Package Type (3)Lead Free</p>	<p>(1) T: Tube (2) TF1: TO-220F1, TF2: TO-220F2, T47: TO-247 TC3: TO-230, T3P: TO-3P (3) L: Lead Free, G: Halogen Free</p>
---	--

■ ABSOLUTE MAXIMUM RATINGS

PARAMETER	SYMBOL	RATINGS	UNIT
Drain-Source Voltage	V_{DSS}	500	V
Gate to Source Voltage	V_{GSS}	± 20	V
Continuous Drain Current	I_D	14	A
Pulsed Drain Current (Note 2)	I_{DM}	56	A
Avalanche Current (Note 2)	I_{AR}	14	A
Single Pulse Avalanche Energy (Note 3)	E_{AS}	760	mJ
Power Dissipation ($T_C=25^\circ\text{C}$)	TO-220F1	36	W
	TO-220F2	38	
	TO-247	190	
	TO-230	147	
	TO-3P	215	
Peak Diode Recovery dv/dt (Note 4)	dv/dt	3.5	V/ns
Junction Temperature	T_J	+150	$^\circ\text{C}$
Strong Temperature	T_{STG}	-55 ~ +150	$^\circ\text{C}$

Notes: 1. Absolute maximum ratings are those values beyond which the device could be permanently damaged.

Absolute maximum ratings are stress ratings only and functional device operation is not implied.

2. Pulse width limited by $T_{J(MAX)}$

3. $V_{DD}=50\text{V}$, starting $T_J=25^\circ\text{C}$, $L=7.0\text{mH}$, $I_{AS}=14\text{A}$, $R_G=25\Omega$

4. $I_{SD}\leq 14\text{A}$, $di/dt\leq 130\text{A}/\mu\text{s}$, $V_{DD}\leq BV_{DSS}$, $T_J\leq 150^\circ\text{C}$

■ THERMAL DATA

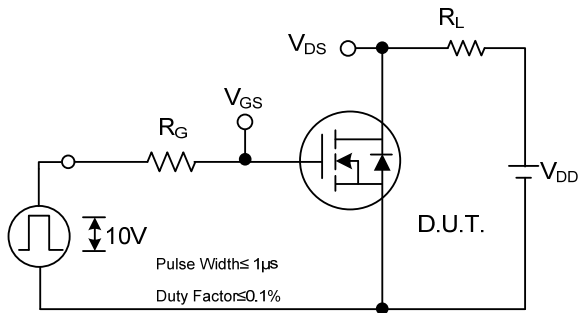
PARAMETER	SYMBOL	RATINGS	UNIT
Junction to Ambient	θ_{JA}	62.5	$^\circ\text{C}/\text{W}$
		40	
Junction to Case	θ_{JC}	3.47	$^\circ\text{C}/\text{W}$
		3.29	
		0.65	
		0.85	
		0.58	

■ ELECTRICAL CHARACTERISTICS (T_J=25°C, unless otherwise specified)

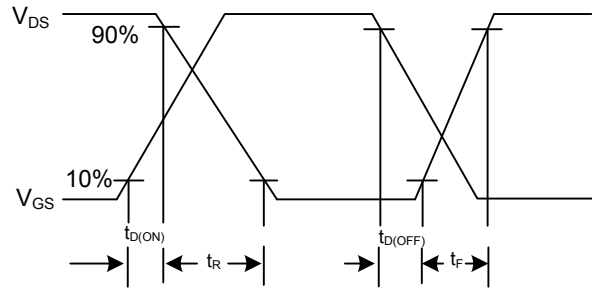
PARAMETER	SYMBOL	TEST CONDITIONS	MIN	TYP	MAX	UNIT
OFF CHARACTERISTICS						
Drain-Source Breakdown Voltage	BV _{DSS}	V _{GS} =0 V, I _D =250μA	500			V
Drain-Source Leakage Current	I _{DSS}	V _{DS} =500V, V _{GS} =0V			25	μA
		V _{DS} =400V, V _{GS} =0V, T _J =125°C			250	μA
Gate-Source Leakage Current	Forward	I _{GSS}				nA
	Reverse					
		V _{GS} =-20V			-100	
Breakdown Voltage Temperature Coefficient	ΔBV _{DSS} /ΔT _J	Reference to 25°C, I _D =1.0mA		0.63		V/°C
ON CHARACTERISTICS						
Gate Threshold Voltage	V _{GS(TH)}	V _{DS} =V _{GS} , I _D =250μA	2.0		4.0	V
Static Drain-Source On-State Resistance	R _{DS(ON)}	V _{GS} =10V, I _D =8.4A		0.31	0.4	Ω
DYNAMIC PARAMETERS						
Input Capacitance	C _{ISS}	V _{DS} =25V, V _{GS} =0V, f=1.0MHz		2600		pF
Output Capacitance	C _{OSS}			720		pF
Reverse Transfer Capacitance	C _{RSS}			340		pF
SWITCHING PARAMETERS (Note 1)						
Total Gate Charge	Q _G	V _{DS} =400V, V _{GS} =10V, I _D =14A (Note 1,2)			150	nC
Gate Source Charge	Q _{GS}				20	nC
Gate Drain Charge	Q _{GD}				80	nC
Turn-ON Delay Time	t _{D(ON)}	V _{DD} =250V, I _D =14A, R _G =6.2Ω, R _D =17Ω (Note 1,2)		17		ns
Turn-ON Rise Time	t _R			47		ns
Turn-OFF Delay Time	t _{D(OFF)}			92		ns
Turn-OFF Fall-Time	t _F			44		ns
SOURCE-DRAIN DIODE RATINGS AND CHARACTERISTICS						
Drain-Source Diode Forward Voltage	V _{SD}	I _S =14A, V _{GS} =0V			1.4	V
Maximum Continuous Drain-Source Diode Forward Current	I _S				14	A
Maximum Pulsed Drain-Source Diode Forward Current	I _{SM}				56	A
Reverse Recovery Time	t _{rr}	I _F =14A, di/dt≤100A/μs,		540	810	ns
Reverse Recovery Charge	Q _{RR}	V _{DD} ≤50V (Note 1)		4.8	7.2	μC

Notes: 1. Pulse Test: Pulse width≤300μs, Duty cycle≤2%
 2. Essentially independent of operating temperature.

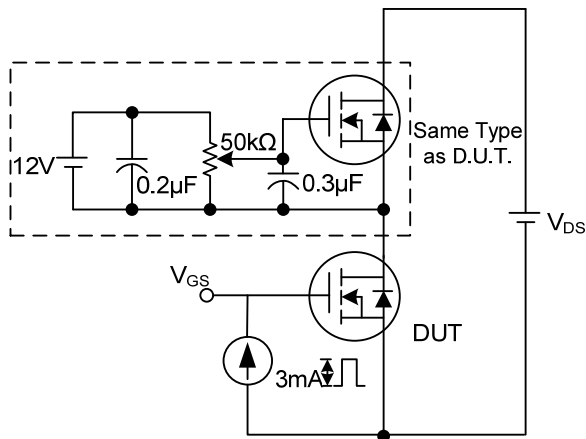
■ TEST CIRCUITS AND WAVEFORMS



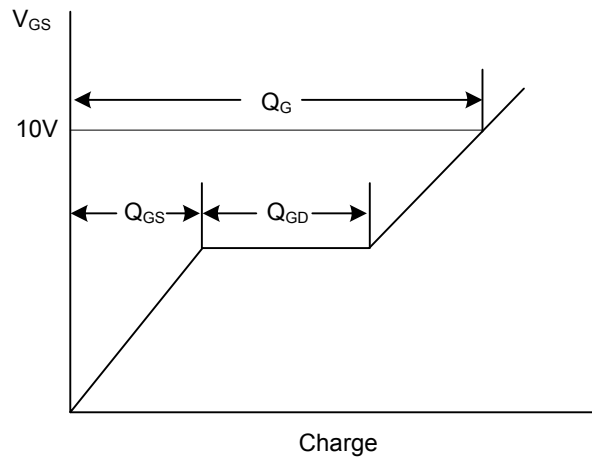
Switching Test Circuit



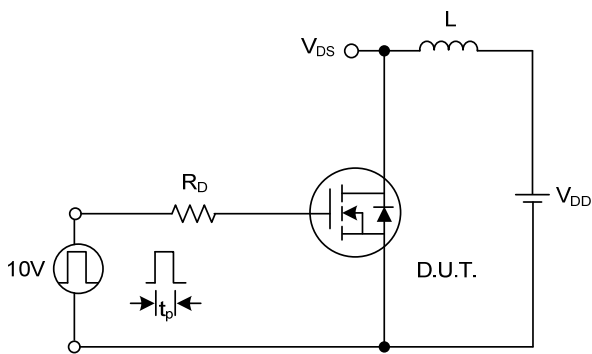
Switching Waveforms



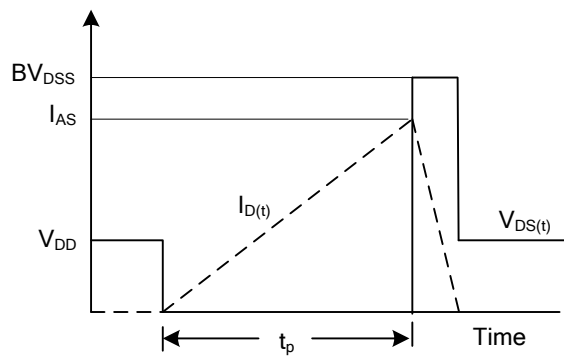
Gate Charge Test Circuit



Gate Charge Waveform

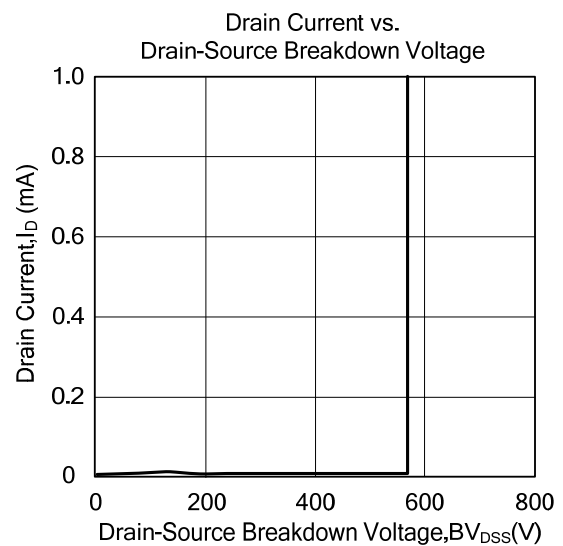
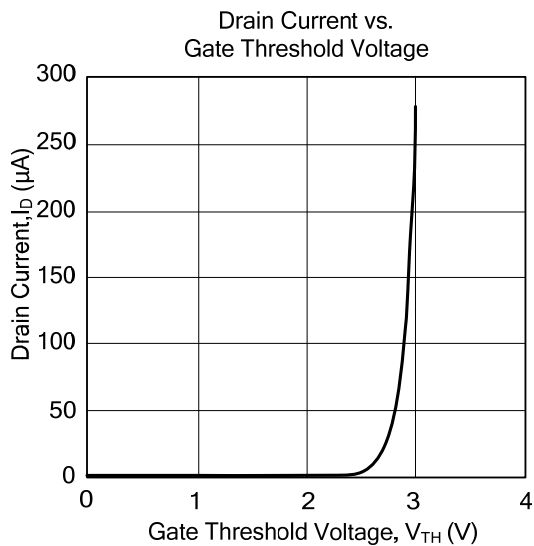
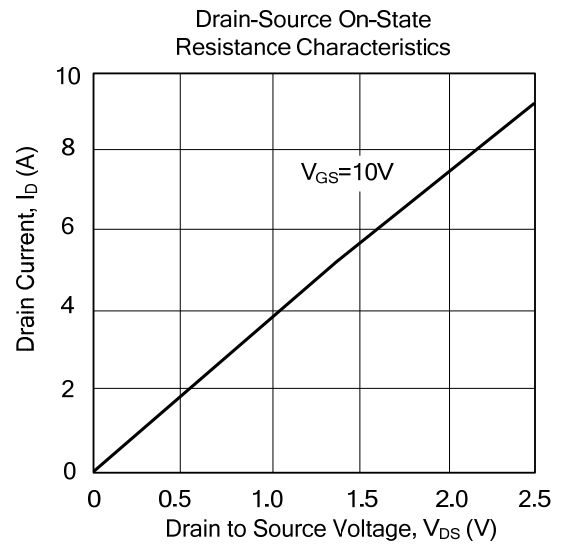
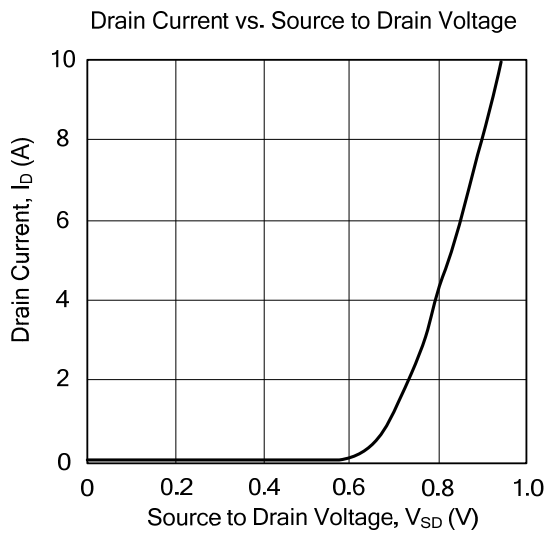


Unclamped Inductive Switching Test Circuit



Unclamped Inductive Switching Waveforms

■ TYPICAL CHARACTERISTICS



UTC assumes no responsibility for equipment failures that result from using products at values that exceed, even momentarily, rated values (such as maximum ratings, operating condition ranges, or other parameters) listed in products specifications of any and all UTC products described or contained herein. UTC products are not designed for use in life support appliances, devices or systems where malfunction of these products can be reasonably expected to result in personal injury. Reproduction in whole or in part is prohibited without the prior written consent of the copyright owner. The information presented in this document does not form part of any quotation or contract, is believed to be accurate and reliable and may be changed without notice.