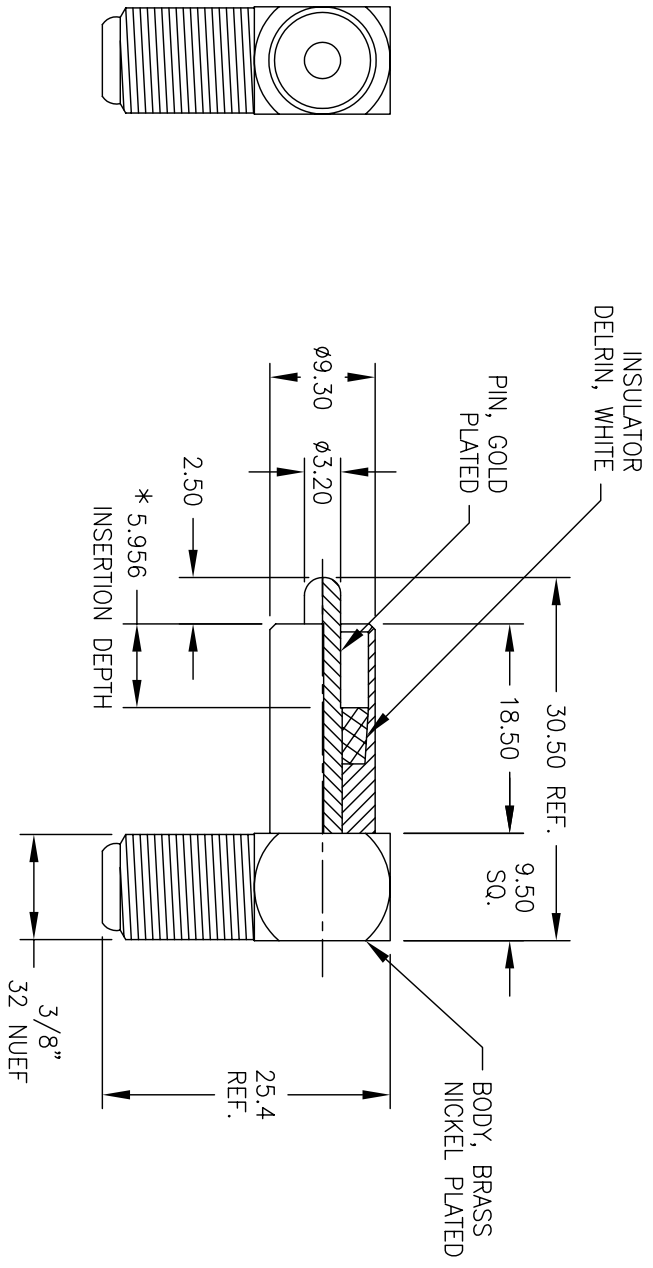


Rev	AWO #	Description	Date	Appr
-		RELEASED	7/25/05	

APPROVED: \_\_\_\_\_ TITLE: \_\_\_\_\_  
 DATE: \_\_\_\_\_



NOTE:  
 DIMENSION MARKED WITH \* ARE CRITICAL

DESCRIPTION	MATERIAL	COLOR
BODY	BRASS	NICKEL
PIN	BRASS	GOLD
INSULATOR	DELIRIN	WHITE

**SPECIFICATIONS:**

*Material:*  
 Insulator: Delrin, color White  
 Pin: Brass, Gold plated  
 Body: Brass, Nickel plated

*Electrical:*  
 Nominal Impedance: 75 ohms  
 Frequency range: 0-4 GHz  
 Maximum peak voltage: 500V  
 Insulation resistance: 5000 Mohm min @ 500 VDC  
 Dielectric withstanding voltage: 1500 VAC rms

*Environmental:*  
 Lead free, RoHS compliant.



**ADAM TECH**

909 Rahway Avenue, Union, NJ 07083  
 Phone: 908-687-5000 Fax: 908-687-5710

R/A ADAPTER, F JACK TO RCA PLUG, 75 OHM  
 GOLD CENTER PIN, DELRIN INSULATOR

UNLESS OTHERWISE SPECIFIED  
 ALL DIMENSIONS ARE INCHES [MM]  
 TOLERANCES: EXCEPT AS NOTED  
 INCHES HOLES

.X	± .10	ØX	± .10
.XX	± .020	ØXX	± .015
.XXX	± .015	ØXXX	± .010

APPROVALS	DATE
DRAWN	SS
CHECKED	
APPROVED	

REF:	SIZE	PART NO.	REV.
	X	RF4-21-D-XX-75	-
SCALE:	NTS		SHEET 1 OF 1