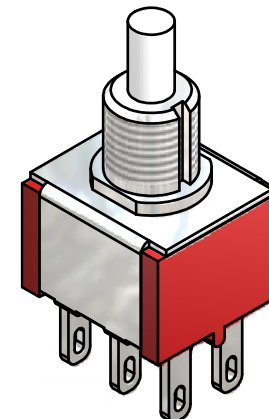
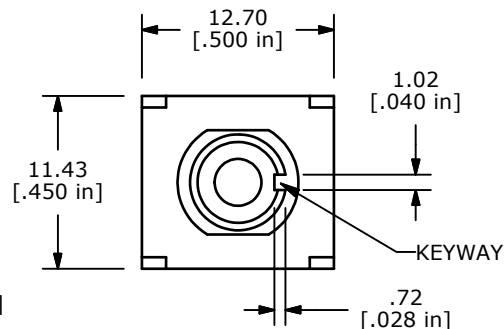
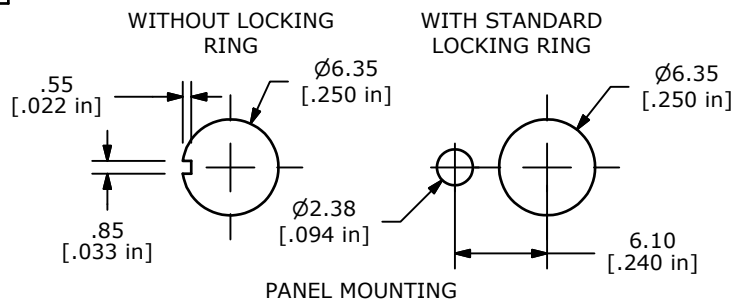
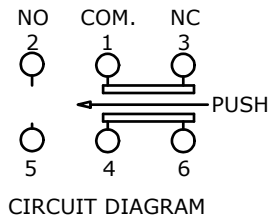
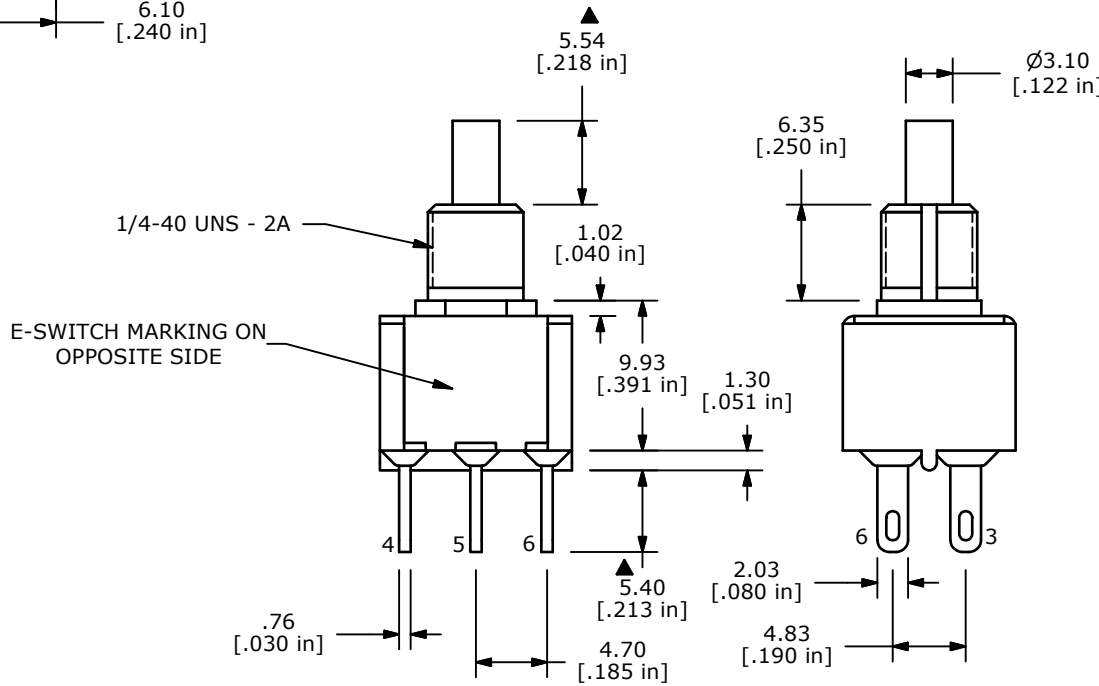


| SWITCH FUNCTION | |
|-----------------|----------|
| POS. 1 | POS. 2 |
| | |
| ON | (ON) |
| 1-3, 4-6 | 1-2, 4-5 |

() = MOMENTARY



- NOTES:
- ALL DIMENSIONS IN MM [INCH]
 - GENERAL TOLERANCE: X.X=±0.4
X.XX=±0.25
 - TERMINAL NUMBERS FOR REFERENCE ONLY
 - CONTACT MATERIAL: SILVER
 - RATING: 1A @ 250 VAC
3A @ 120 VAC OR 28 VDC
 - ELECTRIC LIFE: 50,000 MAKE-AND-BREAK CYCLES AT FULL LOAD
 - INSULATION RESISTANCE: 1,000 MEGA-OHM MIN.
 - ACUATION FORCE: 300 ± 100gf
 - TRAVEL: 1.0 ± 0.2mm
 - CONTACT RESISTANCE: 20 mOHM MAX.
TYPICAL @ 2-4 VDC
 - DIELECTRIC STRENGTH: 1,000 V RMS @ SEA LEVEL.
 - OPERATING TEMP.: -30°C to 85°C
 - ▲ DENOTES CRITICAL PARAMETER.
 - 2002/95/EC (ROHS) COMPLIANT.
 - HARDWARE TO BE SHIPPED BULK
T100000 - HEXNUT - QTY 2
T100011 - LOCKWASHER - QTY 1
T100015 - LOCKRING - QTY 1



| | | | | |
|-----|--------|---------------------------|---------|-----|
| B | 20036 | DRAWING CLEAN-UP / UPDATE | 6/28/11 | BGL |
| A | 16420 | RELEASED FOR PRODUCTION | 9/11/06 | BO |
| REV | PCR NO | DESCRIPTION | DATE | BY |

| | | | | |
|----------------------|----------------|-------|--------------|-------|
| TITLE 700DP7B10M1QEH | | | | |
| SCALE 2:1 | DATE 9/11/2006 | DR BO | DWG ST721003 | REV B |

THE INFORMATION CONTAINED IN THIS DOCUMENT IS PROPRIETARY TO E-SWITCH AND IS NOT TO BE COPIED OR TRANSFERRED