



# ML22Q340/340/Q341/341

## ADPCM Speech Synthesis LSI


### GENERAL DESCRIPTION

The ML22340/ML22Q340/ML22341/ML22Q341, which include mask ROM and Flash memory for storing speech data, respectively, are speech synthesis LSIs which can controll speech playback utilizing an event input system. It includes speaker amplifier and 16bit DA Converter, so it is possible to have high quality sound and solution for playback with 1chip.

- Playback Time

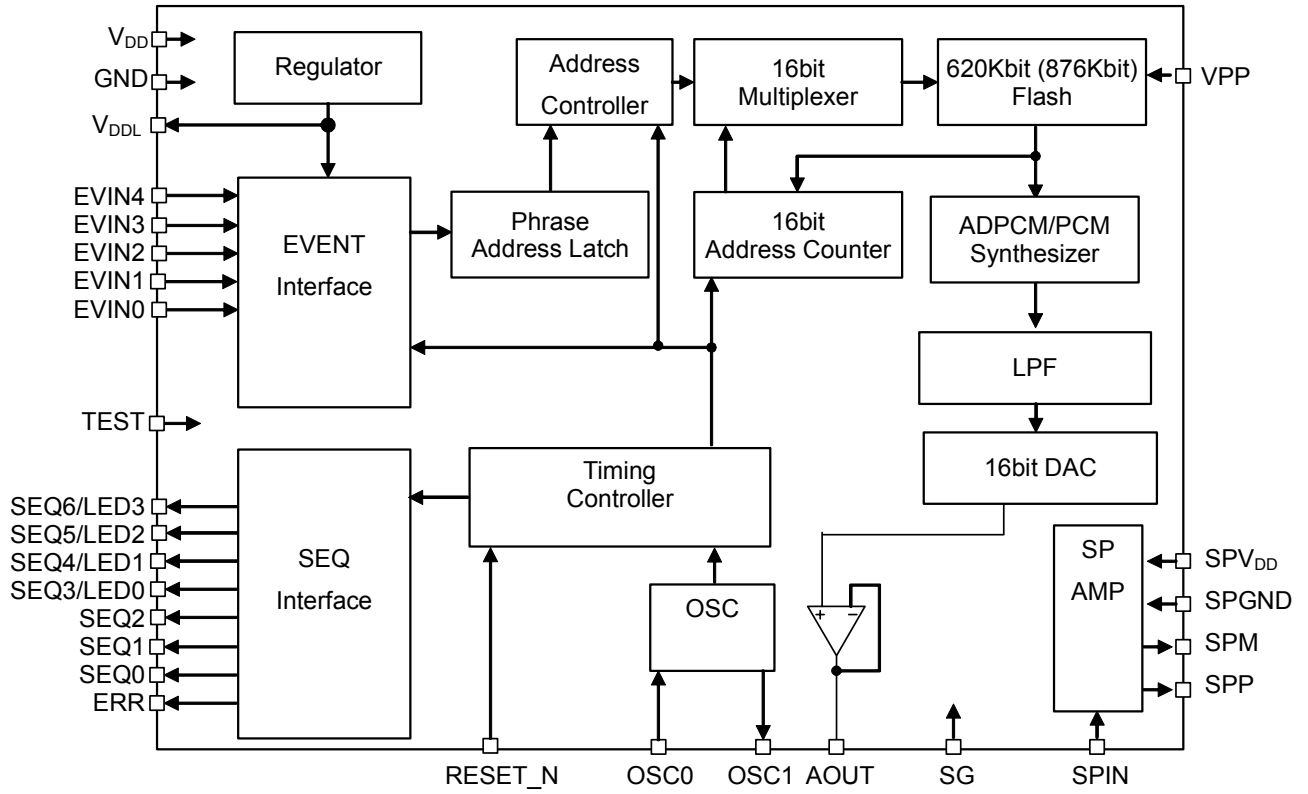
| Product Name | Capasitance of ROM(bit) | Maximum Playback time(s) (Fsam=8.0kHz) |            |          |
|--------------|-------------------------|--|------------|----------|
|              |                         | HQ-ADPCM                               | 4bitADPCM2 | 16bitPCM |
| ML22Q340/340 | 620K                    | —                                      | 19.8       | 4.9      |
| ML22Q341/341 | 876K                    | 35.0                                   | 28.0       | 7.0      |

- Speech sysnthesis system: 4-bit ADPCM2  
8-bit/16-bit straight PCM system  
8-bit nonlinear PCM system  
HQ-ADPCM (\*1) (ML22Q341/341)  
(can be specified for each phrase)
- Speech ROM capacity ML22340: 620-Kbit Mask ROM  
ML22Q340: 620-Kbit Flash  
ML22341: 876-Kbit Mask ROM  
ML22Q341: 876-Kbit Flash
- Sampling frequency: 8.0/16.0 /32.0kHz, 6.4/12.8/25.6 kHz/, 10.7/21.3 kHz  
(fsam can be specified in units of phrase)
- Analog output: Built-in 16-bit DA converter
- Interface: Event input system (built-in noise elimination function)
- Sequencer output function: 16 types
- Maximum event count: 30 events
- Input pin setting: High-impedance input (CMOS input), pull-down input, or pull-up input is selectable based on ROM data
- Output pin setting: High-impedance output, CMOS output, Pch open drain output, Nch open drain output, or LED drive is selectable based on ROM data
- Source oscillation frequency: 4.096 MHz (Typ.)
- Power supply voltage: 2.3V to 5.5V
- Flash memory rewrite cycles: 80 times (ML22Q340/Q341)
- Operating temperature range: -40°C to +85°C
- Package: 30-pin plastic SSOP (SSOP30-56-0.65-Z6K9-MC)
- Product name: ML22340-xxxMB (xxx: ROM code number)  
ML22341-xxxMB (xxx: ROM code number)  
ML22Q340-NNNMB/ML22Q340-xxxMB (xxx: ROM code number)  
ML22Q341-NNNMB/ML22Q341-xxxMB (xxx: ROM code number)

(\*1)  HQ-ADPCM is audio compression technology featuring high-quality sound. It was developed by "Ky's". "Ky's" is a registered trademark of Kyushu Institute of Technology, one of the national universities in Japan.

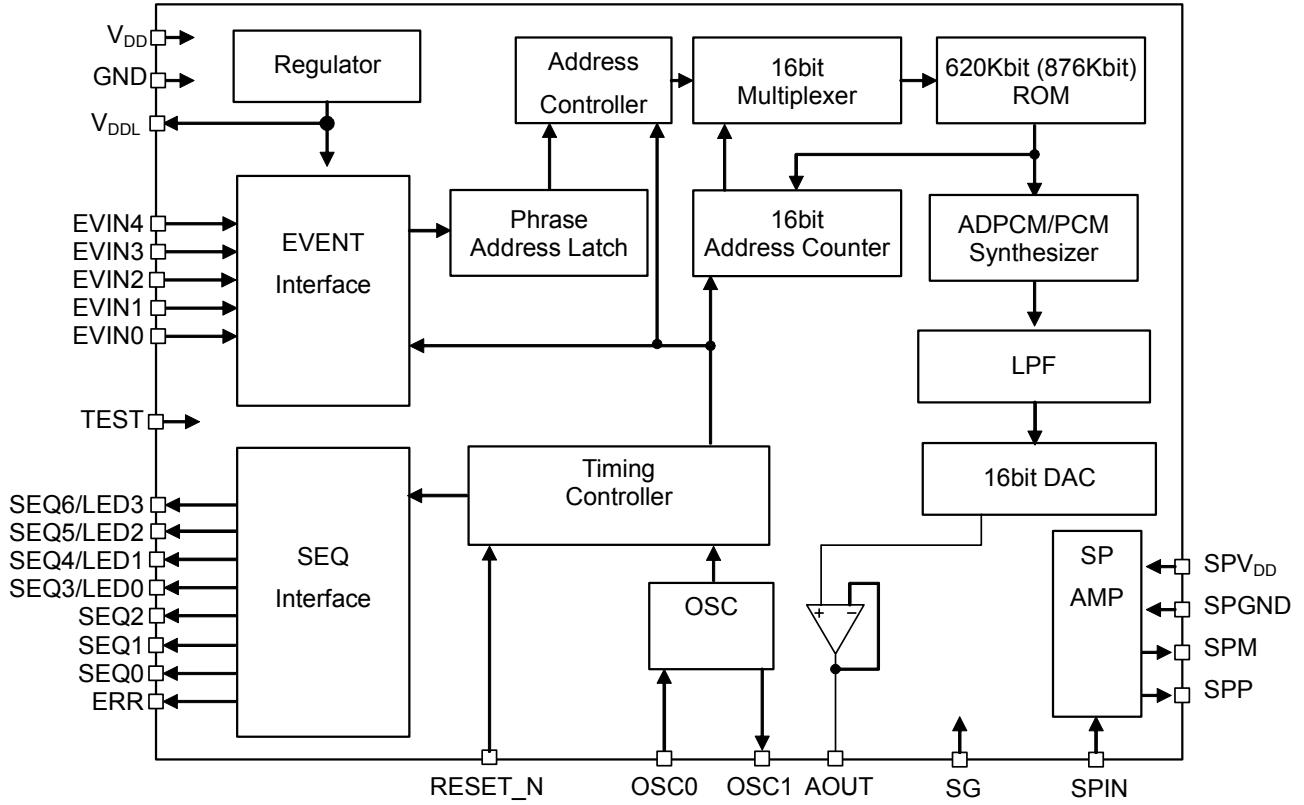
**BLOCK DIAGRAM**

ML22Q340-NNN/ML22Q341-NNN/ML22Q340-xxx/ML22Q341-xxx



( ):Applies to ML22Q341

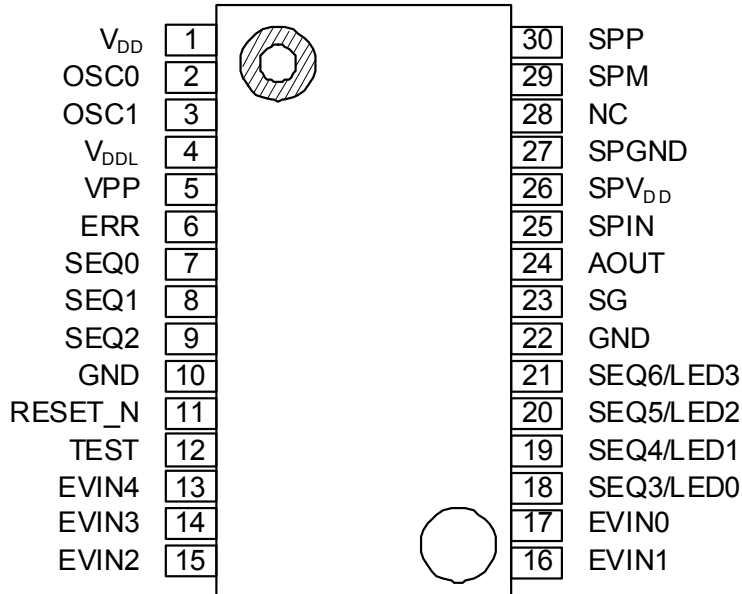
ML22340-xxx/ML22341-xxx



() : Applies to ML22341

**PIN CONFIGURATION (TOP VIEW)**

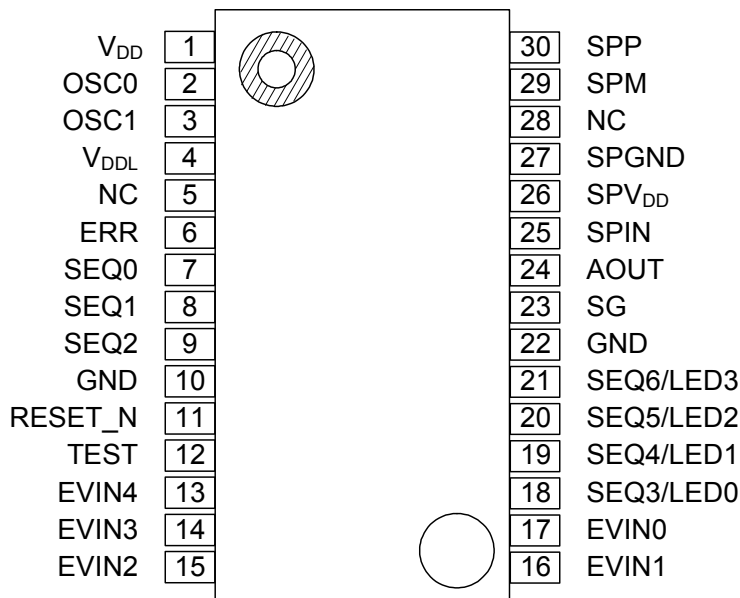
ML22Q340-NNNMB/ML22Q341-NNNMB/ML22Q340-xxxMB/ML22Q341-xxxMB



NC: Unused pin

**30-pin Plastic SSOP**

ML22340-xxxMB/ML22341-xxxMB



NC: Unused pin

**30-pin Plastic SSOP**

**PIN DESCRIPTIONS**

| Pin No.                    | symbol   | I/O | Description   |
|----------------------------|--|-----|---|
| 11                         | RESET_N  | I   | Place this pin at a "L" level when powered on. After the supply voltage is settled, place this pin at a "H" level.  |
| 17<br>16<br>15<br>14<br>13 | EVIN0<br>EVIN1<br>EVIN2<br>EVIN3<br>EVIN4        | I   | Event specifying input pins.<br>Event execution or stop can be performed by changes in the input signals to the activation pins set by the EVIN0 pin or Mask option<br>Set the unused pins to be pulled up or pulled down.<br>And the SEQ0 pin can specify only the SEQ pattern 6.                                |
| 12                         | TEST   | I   | Input pin for testing. Fix this pin at a "L" level (GND level).   |
| 2                          | OSC0   | I   | Pin for connecting a crystal or a ceramic vibrator.<br>A feed back resistor (about 1 MΩ) is included between OSC0 and OSC1 pins.<br>When a vibrator is used, place it as close to the LSI as possible.  |
| 3                          | OSC1   | O   | Pin for connecting a crystal or a ceramic vibrator.<br>When a vibrator is used, place it as close to the LSI as possible.   |
| 6                          | ERR  | O   | Error output pin for thermal detection and disconnection detection.<br>If disconnection detection or a higher temperature than the judgment temperature is detected, this pin output "H". Setting event 1, operate the disconnection detection.<br>And the 100ms "H" pulse is output right after the event start. |
| 7<br>8<br>9                | SEQ0<br>SEQ1<br>SEQ2                             | O   | Sequencer output pins.<br>This pin is output SEQ pattern 01h~10h based on ROM data.<br>The SEQ patterns (01h to 10h) set by Mask option are output.<br>And the SEQ0 pin can specify only the SEQ pattern 6.   |
| 18<br>19<br>20<br>21       | SEQ3/LED0<br>SEQ4/LED1<br>SEQ5/LED2<br>SEQ6/LED3 | O   | Sequencer output pins.<br>These pins can drive LED.<br>The patterns set by Mask option are output.  |
| 24                         | AOUT   | O   | Playback signal output pin.<br>When you use built-in speaker amplifier, connect with the SPIN pin.  |
| 5                          | VPP<br>*Note 1                                   | —   | Power supply pin for rewriting Flash memory.<br>Fix this pin to GND except when rewriting Flash memory.   |
| 1                          | V <sub>DD</sub>                                  | —   | Digital power supply pin.<br>Connect a capacitor of 0.1 μF or more between this pin and GND.  |
| 4                          | V <sub>DDL</sub>                                 | —   | Output pin of the regulator for the internal logic power supply.<br>Connect a electrolytic capacitor of 10 uF or more and a ceramic capacitor of 0.1 μF or more between the V <sub>DDL</sub> and GND pins.  |
| 10,22                      | GND  | —   | Digital ground pin.   |
| 27                         | SPGND  | —   | Speaker amplifier ground pin.   |
| 26                         | SPV <sub>DD</sub>                                | —   | Speaker amplifier power supply pin.   |
| 25                         | SPIN   | I   | Analog input pin of internal speaker amplifier.   |
| 23                         | SG   | O   | Built-in speaker amplifier's reference voltage output pin.<br>Connect a capacitor of 0.1 μF or more between this pin and GND.   |
| 30                         | SPP  | O   | Positive output pin of the built-in speaker amplifier.  |
| 29                         | SPM  | O   | Negative output pin of the built-in speaker amplifier.  |

Notes: 1. Applies to ML22Q340-NNN / ML22Q341-NNN.

**ABSOLUTE MAXIMUM RATINGS**

(GND = SPGND = 0 V)

| Parameter                           | Symbol            | Condition   | Rating                       | Unit |
|-------------------------------------|-------------------|---|------------------------------|------|
| Digital power supply voltage        | V <sub>DD</sub>   | Ta = 25 °C  | -0.3 to +7.0                 | V    |
| Internal logic power supply voltage | V <sub>DDL</sub>  |   | -0.3 to +3.6                 | V    |
| Speaker power supply voltage        | SPV <sub>DD</sub> |   | -0.3 to +7.0                 | V    |
| Flash power supply voltage (Note 1) | V <sub>PP</sub>   |   | -0.3 to +9.5                 | V    |
| Input voltage                       | V <sub>IN</sub>   | Ta = 25 °C<br>When JEDEC 2-layer board is mounted | -0.3 to V <sub>DD</sub> +0.3 | V    |
| Power dissipation                   | P <sub>D</sub>    | Ta = 25 °C  | 861                          | mW   |
| Output short current                | I <sub>SC1</sub>  | except LED drive pin,<br>Ta = 25 °C               | -12 to +11                   | mA   |
|                                     | I <sub>SC2</sub>  | LED drive pin, Ta = 25 °C                         | -12 to +20                   | mA   |
| Storage temperature                 | T <sub>STG</sub>  | —   | -55 to +150                  | °C   |

Note 1: Applies to the ML22Q340-NNN/ML22Q341-NNN.

**RECOMMENDED OPERATING CONDITIONS**

(GND = SPGND = 0 V)

| Parameter                    | Symbol            | Condition                 | Range      |       |      | Unit  |
|------------------------------|-------------------|---------------------------|------------|-------|------|-------|
|                              |                   |                           | Min.       | Typ.  | Max. |       |
| Digital power supply voltage | V <sub>DD</sub>   | —                         | 2.3 to 5.5 |       |      | V     |
|                              |                   | ML22Q340 / ML22Q341 read  | 2.3 to 5.5 |       |      |       |
|                              |                   | ML22Q340 / ML22Q341 write | 3.0 to 5.5 |       |      |       |
| Speaker power supply voltage | SPV <sub>DD</sub> | —                         | 2.3 to 5.5 |       |      | V     |
| Flash power supply voltage   | V <sub>PP</sub>   | ML22Q340 / ML22Q341 write | 7.7 to 8.3 |       |      | V     |
| Flash memory rewrite cycles  | N                 | ML22Q340 / ML22Q341       | 80         |       |      | times |
| Operating temperature        | T <sub>OP1</sub>  | ML22340 / ML22341         | -40 to +85 |       |      | °C    |
|                              | T <sub>OP2</sub>  | ML22Q340 / ML22Q341 read  | -40 to +85 |       |      |       |
|                              | T <sub>OP3</sub>  | ML22Q340 / ML22Q341 write | 0 to +40   |       |      |       |
| Source oscillation frequency | f <sub>OSC</sub>  | —                         | Min.       | Typ.  | Max. | MHz   |
|                              |                   |                           | 3.5        | 4.096 | 4.5  |       |

**ELECTRICAL CHARACTERISTICS**

**DC Characteristics**

$V_{DD} = SPV_{DD} = 2.3 \text{ to } 5.5 \text{ V}$ ,  $GND = SPGND = 0 \text{ V}$ ,  $T_a = -40 \text{ to } +85^\circ\text{C}$

| Parameter                        | Symbol     | Condition  | Min.                | Typ. | Max.                | Unit          |
|----------------------------------|------------|--|---------------------|------|---------------------|---------------|
| “H” input voltage                | $V_{IH}$   | —  | $0.7 \times V_{DD}$ | —    | $V_{DD}$            | V             |
| “L” voltage                      | $V_{IL}$   | —  | 0                   | —    | $0.3 \times V_{DD}$ | V             |
| “H” output voltage 1             | $V_{OH1}$  | $I_{OH} = -0.5 \text{ mA}$<br>CMOS output,<br>Pch open drain selected      | $V_{DD} - 0.5$      | —    | —                   | V             |
| “H” output voltage 2             | $V_{OH2}$  | $I_{OH} = -100 \mu\text{A}$<br>OSC1 pin                                    | $V_{DD} - 0.5$      | —    | —                   | V             |
| “L” output voltage 1             | $V_{OL1}$  | $I_{OL} = 0.5 \text{ mA}$<br>CMOS output,<br>Nch open drain selected       | —                   | —    | 0.5                 | V             |
| “L” output voltage 2             | $V_{OL2}$  | $I_{OL} = 100 \mu\text{A}$<br>OSC1 pin                                     | —                   | —    | 0.5                 | V             |
| “L” output voltage 4             | $V_{OL4}$  | $I_{OL} = 8 \text{ mA}$ , $V_{DD} \geq 2.3\text{V}$<br>When the LED drives | —                   | —    | 0.5                 | V             |
| “H” input current 1              | $I_{IH1}$  | $V_{IH} = V_{DD}$<br>High-impedance input selected                         | —                   | —    | 1                   | $\mu\text{A}$ |
| “H” input current 2              | $I_{IH2}$  | $V_{IH} = V_{DD}$<br>TEST pin  | 0.02                | 0.3  | 1.5                 | mA            |
| “H” input current 3              | $I_{IH3}$  | $V_{IH} = V_{DD}$<br>Pull-down input selected                              | 2                   | 30   | 250                 | $\mu\text{A}$ |
| “L” input current 1              | $I_{IL1}$  | $V_{IL1} = GND$<br>High-impedance input selected                           | -1                  | —    | —                   | $\mu\text{A}$ |
| “L” input current 2              | $I_{IL2}$  | $V_{IL} = GND$<br>RESET_N pin  | -1.5                | -0.3 | -0.02               | mA            |
| “L” input current 3              | $I_{IL3}$  | $V_{IL} = GND$<br>CSEL pin   | -250                | -30  | -2                  | $\mu\text{A}$ |
| Supply current during operate    | $I_{DD1}$  | Non-loaded output<br>$V_{DD} = SPV_{DD} = 3.0\text{V}$                     | —                   | 2.5  | 12                  | mA            |
|                                  | $I_{DD2}$  | Non-loaded output<br>$V_{DD} = SPV_{DD} = 5.0\text{V}$                     | —                   | 8    | 12                  |               |
| Supply current during power down | $I_{DDS1}$ | $T_a \leq 40^\circ\text{C}$  | —                   | 0.5  | 2.0                 | $\mu\text{A}$ |
|                                  | $I_{DDS2}$ | $T_a \leq 85^\circ\text{C}$  | —                   | 0.5  | 8.0                 |               |

**Analog Characteristics**

$V_{DD} = SPV_{DD} = 2.3 \text{ to } 5.5 \text{ V}$ ,  $GND = SPGND = 0 \text{ V}$ ,  $T_a = -40 \text{ to } +85^\circ\text{C}$

| Parameter  | Symbol    | Condition   | Min.                   | Typ.       | Max.                   | Unit       |
|--|-----------|---|------------------------|------------|------------------------|------------|
| AOUT output load resistance                                      | $R_{LA}$  | During 1/2 $V_{DD}$ output  | 10                     | —          | —                      | k $\Omega$ |
| AOUT output voltage range  | $V_{AO}$  | No output load  | $1/6 \times V_{DD}$    | —          | $5/6 \times V_{DD}$    | V          |
| SG output voltage  | $V_{SG}$  | —   | $0.95 \times V_{DD}/2$ | $V_{DD}/2$ | $1.05 \times V_{DD}/2$ | V          |
| SG output resistance   | $R_{SG}$  | —   | 57                     | 96         | 135                    | k $\Omega$ |
| SPM, SPP output load resistance                                  | $R_{LSP}$ | —   | 8                      | —          | —                      | $\Omega$   |
| Speaker amplifier output power                                   | $P_{SPO}$ | $SPV_{DD}=5.0\text{V}$ , $f=1\text{kHz}$ ,<br>$R_{SPO}=8\Omega$ , $THD \geq 10\%$ | —                      | 1          | —                      | W          |
| Output offset voltage between SPM and SPP with no signal present | $V_{OF}$  | SPIN-SPM gain=0dB<br>8 $\Omega$ load  | -50                    | —          | 50                     | mV         |

**AC Characteristics**

$V_{DD} = SPV_{DD} = 2.3 \text{ to } 5.5 \text{ V}$ ,  $GND = SPGND = 0 \text{ V}$ ,  $T_a = -40 \text{ to } +85^\circ\text{C}$

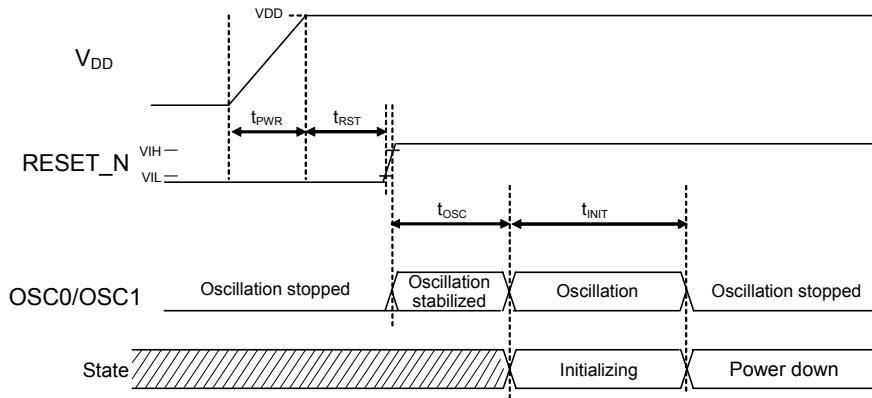
| Parameter                                   | Symbol                   | Condition                     | Min. | Typ. | Max. | Unit          |
|---|--------------------------|-------------------------------|------|------|------|---------------|
| Duty cycle of source oscillation            | $f_{duty}$               | —                             | 40   | 50   | 60   | %             |
| RESET_N input pulse width                   | $t_{RST}$                | —                             | 100  | —    | —    | $\mu\text{s}$ |
| Voltage startup time                        | $t_{PWR}$                | —                             | —    | —    | 10   | ms            |
| Initialize time                             | $t_{INIT}$               | $f_{OSC} = 4.096 \text{ MHz}$ | 20   | —    | 22   | ms            |
| Oscillation stabilizing time                | $t_{OSC}$                | —                             | —    | 2    | 20   | ms            |
| Noise elimination time                      | $t_{CHT}$                | —                             | 14   | 16   | 18   | ms            |
| SG pin voltage stabilization time (Rising)  | $t_{SGR}$                | $f_{OSC} = 4.096 \text{ MHz}$ | 32   | —    | 34   | ms            |
| SG pin voltage stabilization time (Falling) | $t_{SGF}$                | $f_{OSC} = 4.096 \text{ MHz}$ | 64   | —    | 66   | ms            |
| Pop noise elimination time                  | $t_{POPR}$<br>$t_{POPF}$ | $f_{OSC} = 4.096 \text{ MHz}$ | 40   | —    | 42   | ms            |
| Disconnection judging time                  | $t_{DCD}$                | —                             | 100  | —    | —    | ms            |

Load capacitance of the output pins = 55 pF (max.)

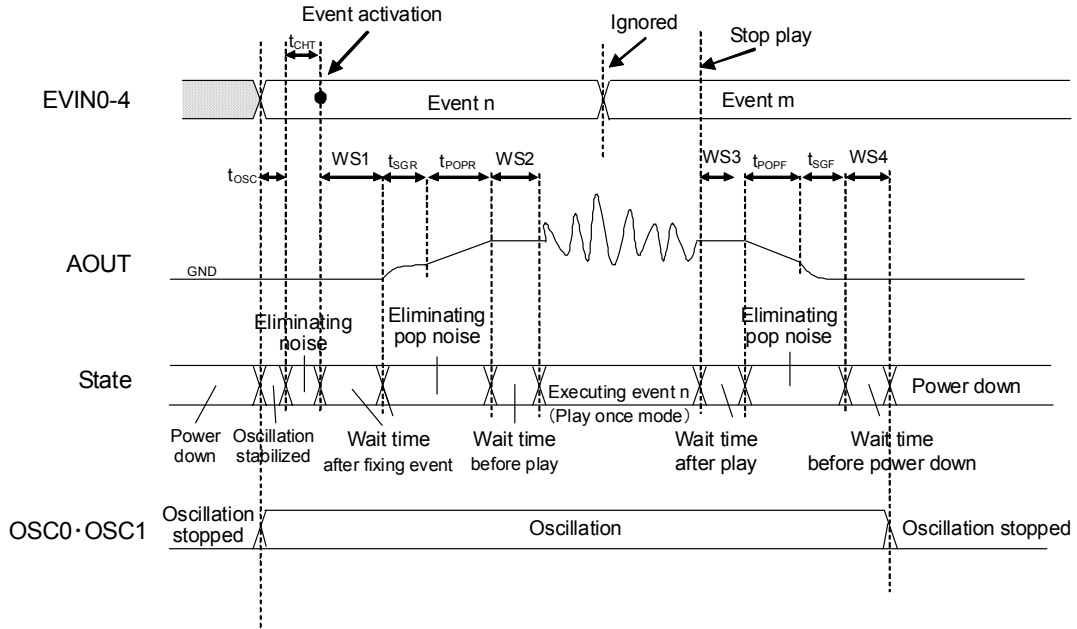


**TIMING DIAGRAMS**

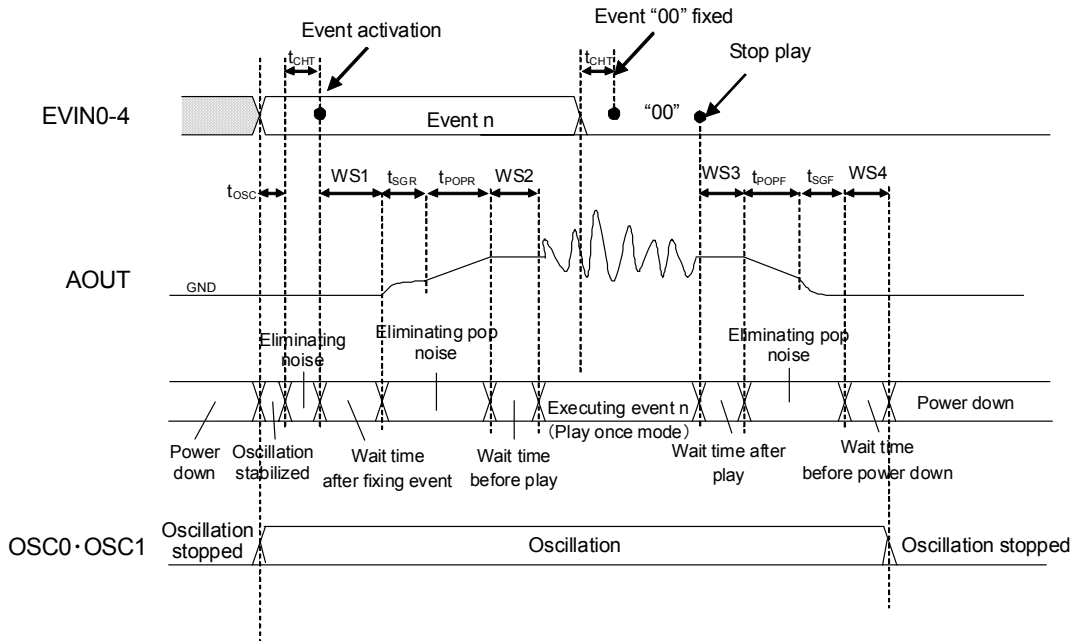
**Power On**



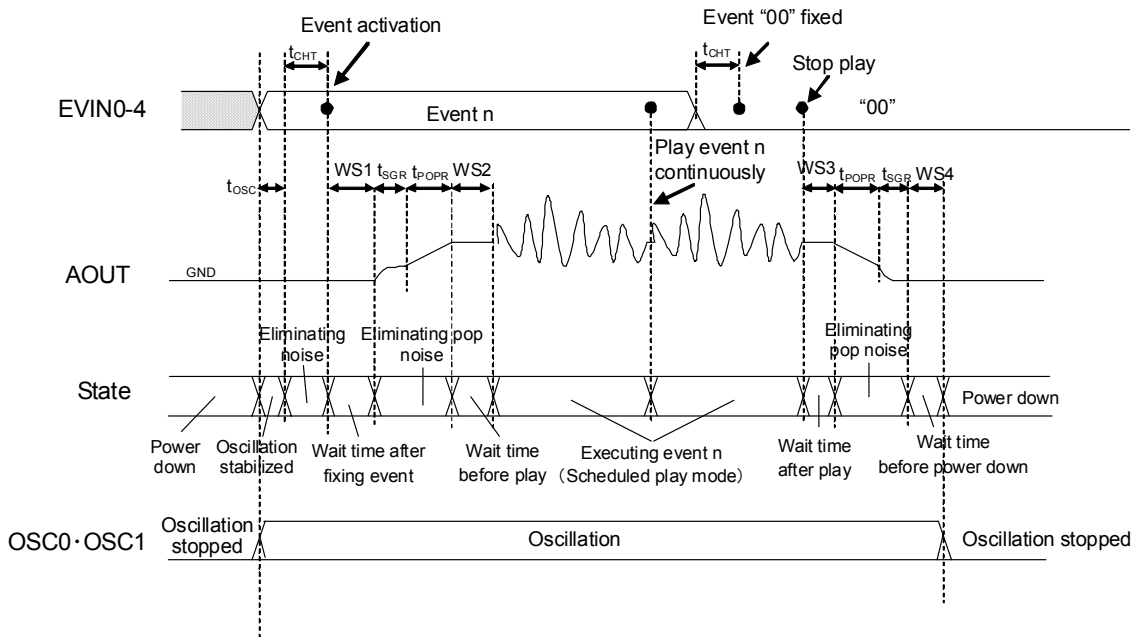
**Event Control example 1 (Only one playback in Play once mode)**



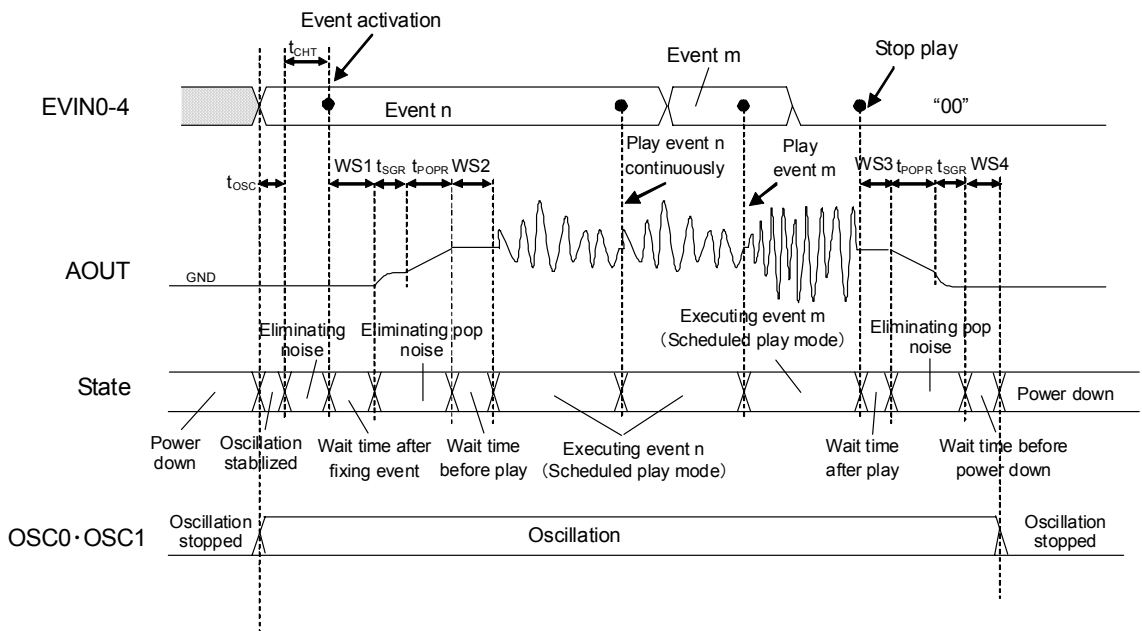
**Event Control example 2 (Only one playback in Scheduled play mode)**



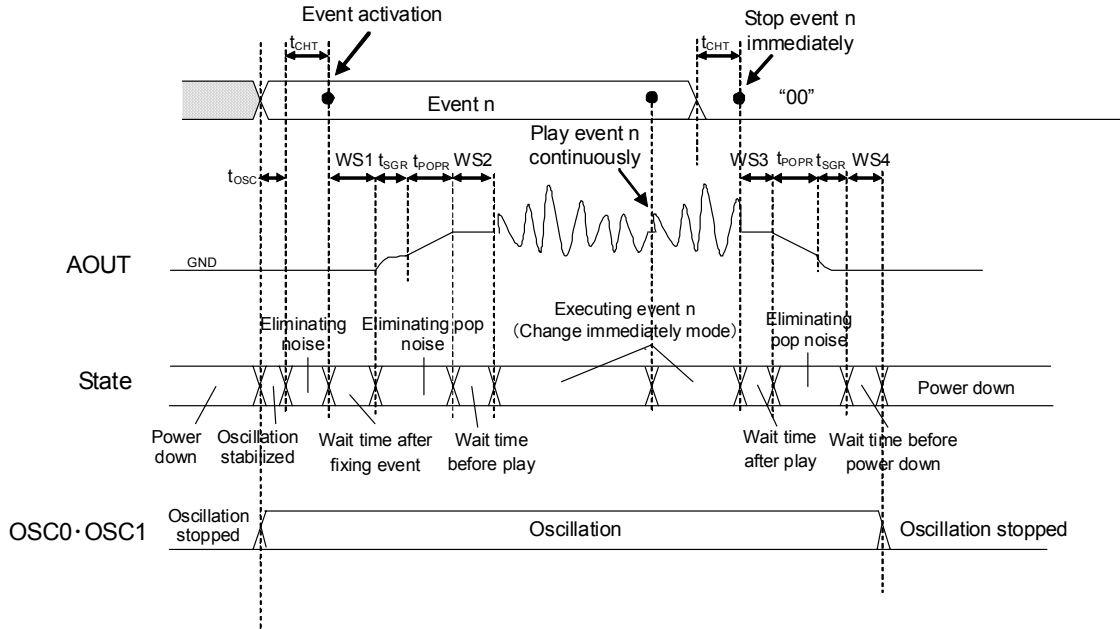
**Event Control example 3 (Repetitive playback in Scheduled play mode)**



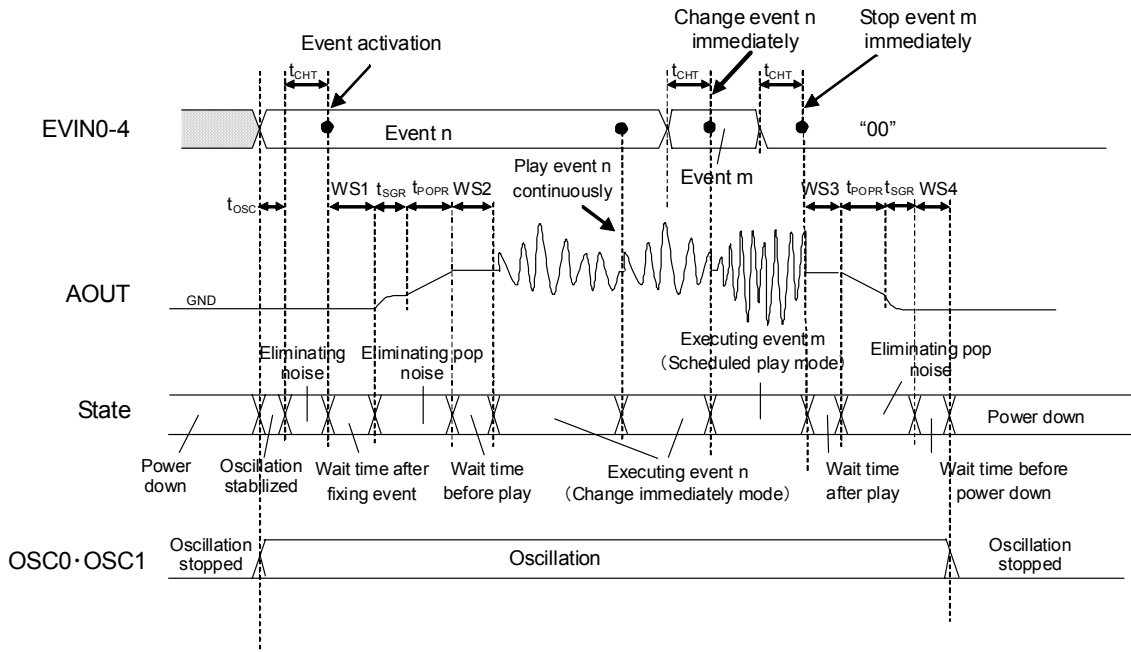
**Event Control example 4 (Change in playback phrase in Scheduled play mode)**



**Event Control example 5 (Repetitive playback in Change immediately mode)**



**Event Control example 6 (Different consecutive event execution timing diagram in Change immediately mode)**



## FUNCTIONAL DESCRIPTION

The "Speech LSI Utility" is used for the setting of an each function and the creating of ROM data.  
The Speech LSI Utility is dedicated software.

### Event Activation

Power-down is released by the change in the input signal to the EVIN0-4 pins and the event number specified by the EVIN0-4 pins in time  $t_{\text{CHT}}$  is internally captured and the event execution according to the number is started.

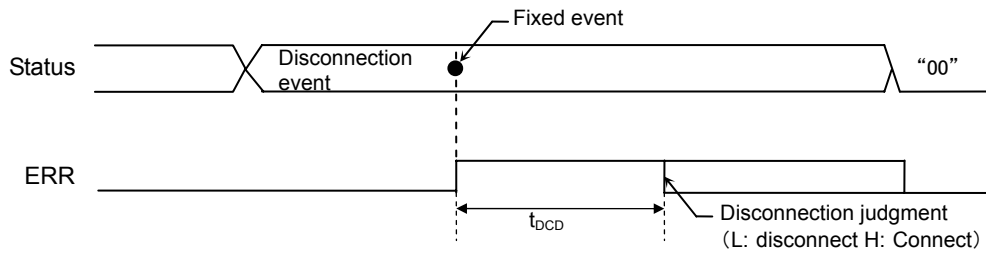
### Event contents

There are three kinds of event contents, Stop (00h), Disconnection Detection (01h), and Play (02h~1Fh), as follows.

| EVENT No. | Input pattern |       |       |       |       | Contents                |
|-----------|---------------|-------|-------|-------|-------|-------------------------|
|           | EVIN4         | EVIN3 | EVIN2 | EVIN1 | EVIN0 |                         |
| 00h       | L             | L     | L     | L     | L     | Stop                    |
| 01h       | L             | L     | L     | L     | H     | Disconnection Detection |
| 02h       | L             | L     | L     | H     | L     | Play                    |
| 03h       | L             | L     | L     | H     | H     | ↑                       |
| 04h       | L             | L     | H     | L     | L     | ↑                       |
| 05h       | L             | L     | H     | L     | H     | ↑                       |
| 06h       | L             | L     | H     | H     | L     | ↑                       |
| 07h       | L             | L     | H     | H     | H     | ↑                       |
| :         | :             | :     | :     | :     | :     | :                       |
| :         | :             | :     | :     | :     | :     | :                       |
| 18h       | H             | H     | L     | L     | L     | ↑                       |
| 19h       | H             | H     | L     | L     | H     | ↑                       |
| 1Ah       | H             | H     | L     | H     | L     | ↑                       |
| 1Bh       | H             | H     | L     | H     | H     | ↑                       |
| 1Ch       | H             | H     | H     | L     | L     | ↑                       |
| 1Dh       | H             | H     | H     | L     | H     | ↑                       |
| 1Eh       | H             | H     | H     | H     | L     | ↑                       |
| 1Fh       | H             | H     | H     | H     | H     | ↑                       |

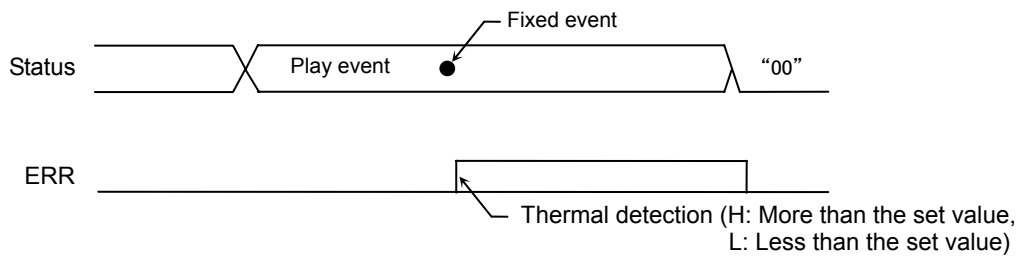
**Disconnection Detection**

Set the event1 (EVIN0="H", EVIN1-4="L") , operate the disconnection detection. If disconnection detection, the "ERR" pin output "H". And the 100ms "H" pulse is output right after the event start. During the event operating, the disconnection detection can't be operated.



**Thermal Detection**

In the case of setting the thermal detection mode, if higher temperature than the judgement temperature, the "ERR" pin output "H".



**Playback mode setup**

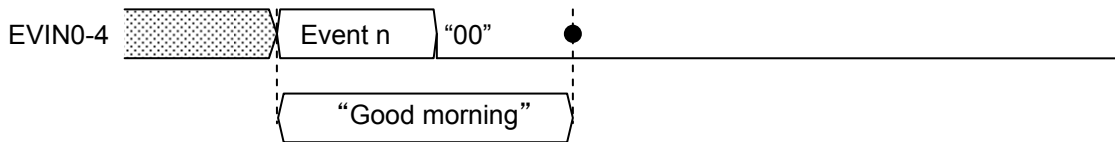
Playback mode can be set up for every phrase.  
 Playback mode is set into the ROM data.  
 The ROM data is created using a Speech LSI Utility.  
 The Speech LSI Utility is dedicated software.

| Playback mode      | Operation  |
|--------------------|--|
| Play Once          | This mode is playback once. All the commands become invalid during playback.   |
| Scheduled Play     | The playback continues until the following command will be inputted, if playback starts. When the following command is inputted into playback, after playback of the present phrase is completed, the following command is executed.           |
| Change Immediately | The playback continues until the following command will be inputted, if playback starts. When the following phrase is inputted into playback, playback of the present phrase is ended on the way, and playback of the following phrase starts. |

The event control example which used each playback mode is as follows.

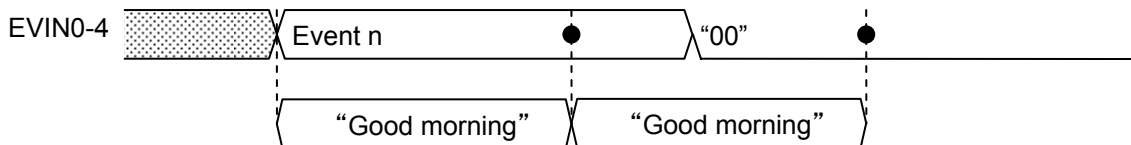
○ Event Control example 1 (Only one playback in Play once mode)

Operation: Only one event specified is executed after event activation.  
 Control method: Input the event number to be executed to the EVIN0-4 pins.



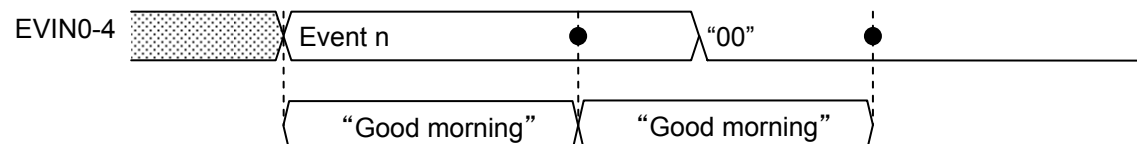
○ Event Control example 2 (Only one playback in Scheduled play mode)

Operation: Only one specification mode is executed  
 Control method: Input the event number to be executed to the EVIN0-4 pins. After event activation, input "00" to the EVIN0-4 pins before event execution is ended.



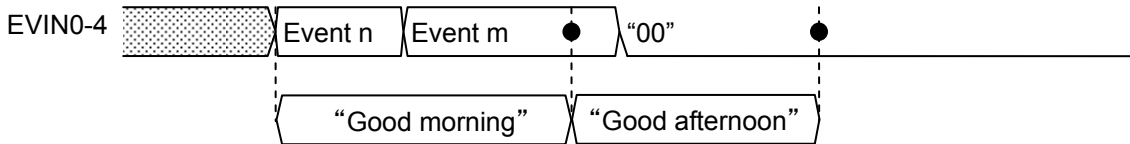
○ Event Control example 3 (Repetitive playback in Scheduled play mode)

Operation: While the EVIN0-4 pin states are held, the event execution is repeated.  
 In the case of the event execution stop, the event execution is terminated.  
 Control method: Input the event number to be executed to the EVIN0-4 pins. After event activation, hold the EVIN0-4 pin states. When desired to stop event execution, input all "0s" to the EVIN0-4 pins.



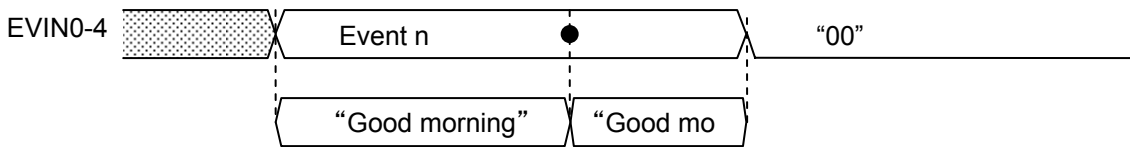
○ Event Control example 4 (Change in playback phrase in Scheduled play mode)

**Operation:** The event execution specified first is ended and newly specified event execution is started.  
**Control method:** Input the event number to be executed to the EVIN0-4 pins. After event activation, input the event number to be executed next to the EVIN0-4 pins and hold the EVIN0-4 pin states until the current event execution is ended.



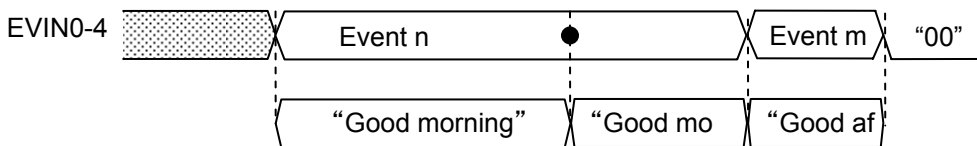
○ Event Control example 5 (Repetitive playback in Change immediately mode)

**Operation:** Event execution is performed until the EVIN0-4 pin states are changed. The event execution stops when the EVIN0-4 pin states are changed.  
**Control method:** Input the event number to be executed to the EVIN0-4 pins. After event activation, hold the EVIN0-4 pin states while the event execution is to be performed. When desired to stop event execution, input all "0s" to the EVIN0-4 pins



○ Event Control example 6 (Change in playback phrase in Change immediately mode)

**Operation:** The event execution specified first is ended and newly specified event execution is started.  
**Control method:** Input the event number to be executed to the EVIN0-4 pins. After event activation, input the event number to be executed next to the EVIN0-4 pins

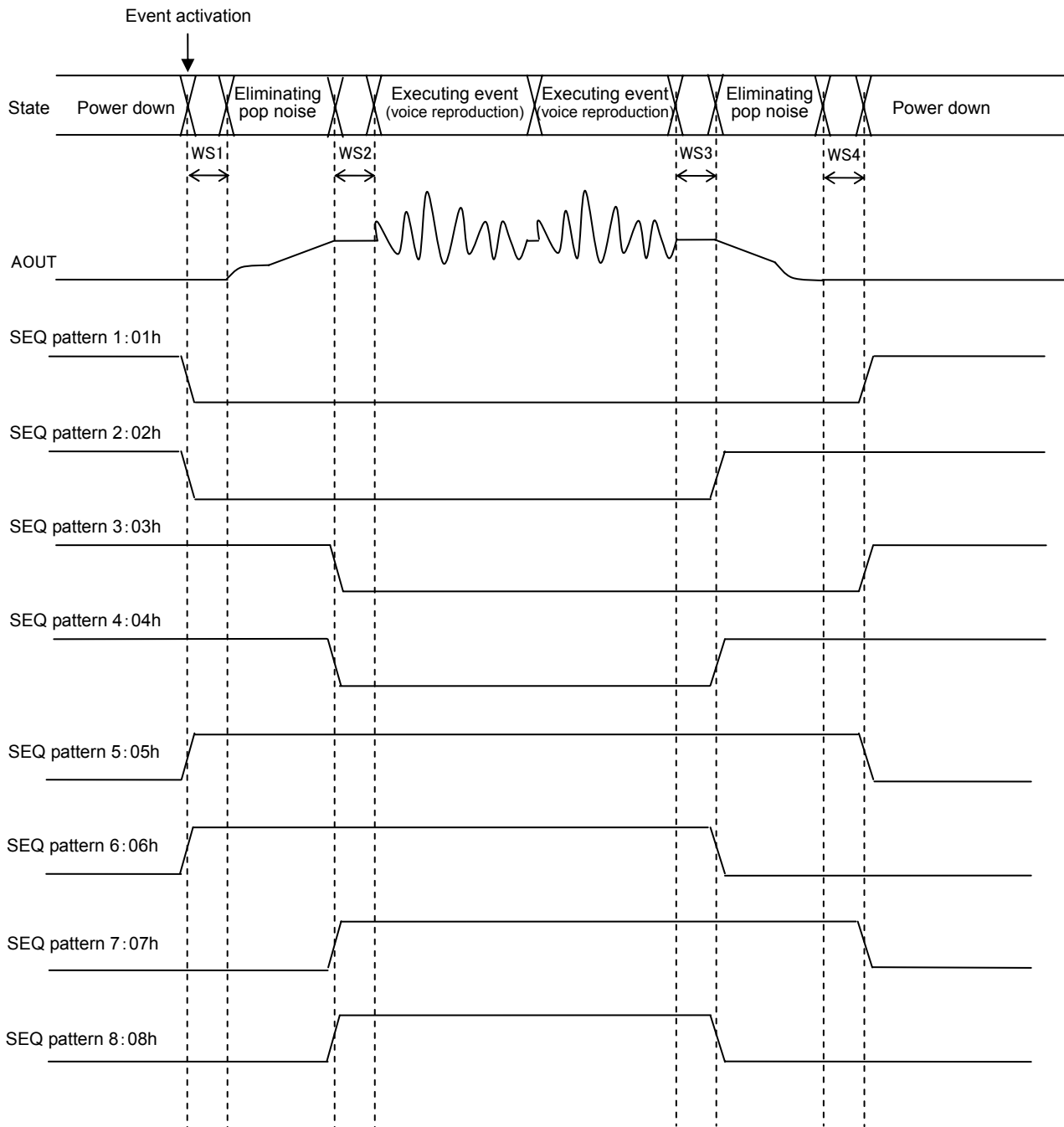




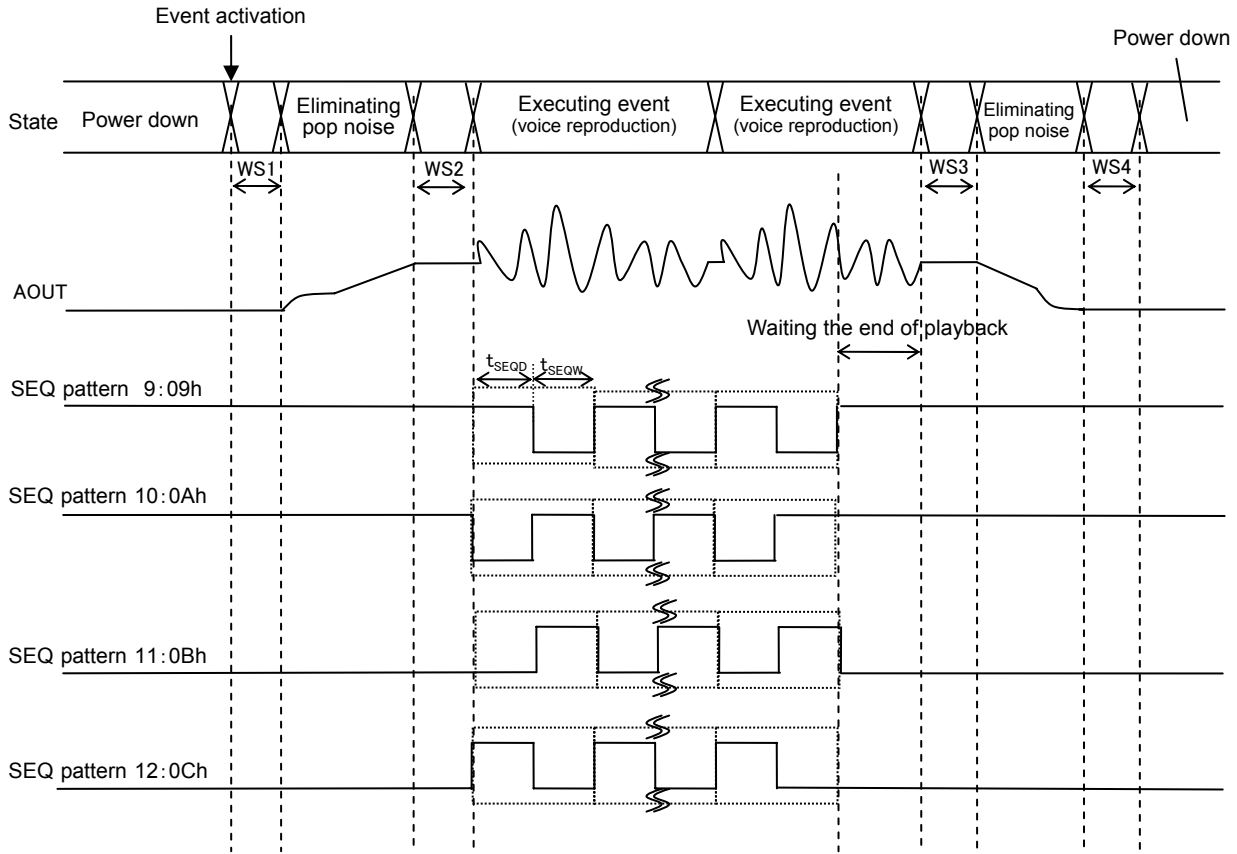
**Sequencer Output**

The patterns specified to the SEQ0-6 pins are output by specifying the SEQ patterns shown below in the event management area. When SEQ pattern “00h” is specified, the signals are not output from the SEQ pins. And the SEQ0 pin can specify only the SEQ pattern 6. The ROM data is created using a Speech LSI Utility. The Speech LSI Utility is dedicated software.

LEVEL output



Pulse output



The pulse output is only enaled during playback the sound. If pulse output time is higher than playback sound time, it will be SEQ output initialize level specified by Mask option.

A pulse output is output by the designated pulse width ( $t_{SEQW}$ ), delay time ( $t_{SEQD}$ ) and number of times. Speech LSI Utility is used for these setting.

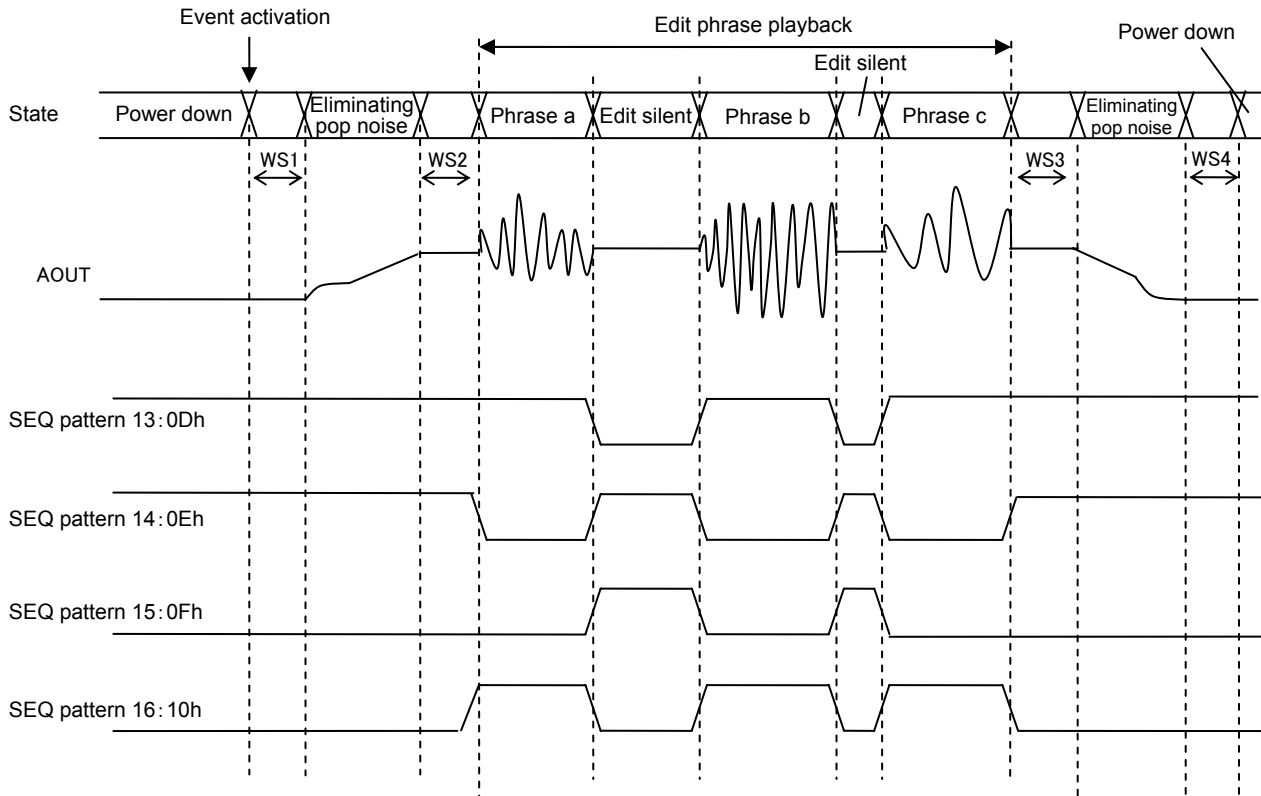
Pulse Wide/Delay Time

| Setting value | Pulse Wide/Delay Time [ms] | Setting value | Pulse Wide/Delay Time [ms] | Setting value | Pulse Wide/Delay Time [ms] | Setting value | Pulse Wide/Delay Time [ms] | Setting value | Pulse Wide/Delay Time [ms] |
|---------------|----------------------------|---------------|----------------------------|---------------|----------------------------|---------------|----------------------------|---------------|----------------------------|
| 00h           | 4                          | 34h           | 212                        | 67h           | 416                        | 9Ah           | 620                        | CDh           | 824                        |
| 01h           | 8                          | 35h           | 216                        | 68h           | 420                        | 9Bh           | 624                        | CEh           | 828                        |
| 02h           | 12                         | 36h           | 220                        | 69h           | 424                        | 9Ch           | 628                        | CFh           | 832                        |
| 03h           | 16                         | 37h           | 224                        | 6Ah           | 428                        | 9Dh           | 632                        | D0h           | 836                        |
| 04h           | 20                         | 38h           | 228                        | 6Bh           | 432                        | 9Eh           | 636                        | D1h           | 840                        |
| 05h           | 24                         | 39h           | 232                        | 6Ch           | 436                        | 9Fh           | 640                        | D2h           | 844                        |
| 06h           | 28                         | 3Ah           | 236                        | 6Dh           | 440                        | A0h           | 644                        | D3h           | 848                        |
| 07h           | 32                         | 3Bh           | 240                        | 6Eh           | 444                        | A1h           | 648                        | D4h           | 852                        |
| 08h           | 36                         | 3Ch           | 244                        | 6Fh           | 448                        | A2h           | 652                        | D5h           | 856                        |
| 09h           | 40                         | 3Dh           | 248                        | 70h           | 452                        | A3h           | 656                        | D6h           | 860                        |
| 0Ah           | 44                         | 3Eh           | 252                        | 71h           | 456                        | A4h           | 660                        | D7h           | 864                        |
| 0Bh           | 48                         | 3Fh           | 256                        | 72h           | 460                        | A5h           | 664                        | D8h           | 868                        |
| 0Ch           | 52                         | 40h           | 260                        | 73h           | 464                        | A6h           | 668                        | D9h           | 872                        |
| 0Dh           | 56                         | 41h           | 264                        | 74h           | 468                        | A7h           | 672                        | DAh           | 876                        |
| 0Eh           | 60                         | 42h           | 268                        | 75h           | 472                        | A8h           | 676                        | DBh           | 880                        |
| 0Fh           | 64                         | 43h           | 272                        | 76h           | 476                        | A9h           | 680                        | DCh           | 884                        |
| 10h           | 68                         | 44h           | 276                        | 77h           | 480                        | AAh           | 684                        | DDh           | 888                        |
| 11h           | 72                         | 45h           | 280                        | 78h           | 484                        | ABh           | 688                        | DEh           | 892                        |
| 12h           | 76                         | 46h           | 284                        | 79h           | 488                        | ACh           | 692                        | DFh           | 896                        |
| 13h           | 80                         | 47h           | 288                        | 7Ah           | 492                        | ADh           | 696                        | E0h           | 900                        |
| 14h           | 84                         | 48h           | 292                        | 7Bh           | 496                        | A Eh          | 700                        | E1h           | 904                        |
| 15h           | 88                         | 49h           | 296                        | 7Ch           | 500                        | AFh           | 704                        | E2h           | 908                        |
| 16h           | 92                         | 4Ah           | 300                        | 7Dh           | 504                        | B0h           | 708                        | E3h           | 912                        |
| 17h           | 96                         | 4Bh           | 304                        | 7Eh           | 508                        | B1h           | 712                        | E4h           | 916                        |
| 18h           | 100                        | 4Ch           | 308                        | 7Fh           | 512                        | B2h           | 716                        | E5h           | 920                        |
| 19h           | 104                        | 4Dh           | 312                        | 80h           | 516                        | B3h           | 720                        | E6h           | 924                        |
| 1Ah           | 108                        | 4Eh           | 316                        | 81h           | 520                        | B4h           | 724                        | E7h           | 928                        |
| 1Bh           | 112                        | 4Fh           | 320                        | 82h           | 524                        | B5h           | 728                        | E8h           | 932                        |
| 1Ch           | 116                        | 50h           | 324                        | 83h           | 528                        | B6h           | 732                        | E9h           | 936                        |
| 1Dh           | 120                        | 51h           | 328                        | 84h           | 532                        | B7h           | 736                        | EAh           | 940                        |
| 1Eh           | 124                        | 52h           | 332                        | 85h           | 536                        | B8h           | 740                        | EBh           | 944                        |
| 1Fh           | 128                        | 53h           | 336                        | 86h           | 540                        | B9h           | 744                        | ECh           | 948                        |
| 20h           | 132                        | 54h           | 340                        | 87h           | 544                        | BAh           | 748                        | EDh           | 952                        |
| 21h           | 136                        | 55h           | 344                        | 88h           | 548                        | BBh           | 752                        | EEh           | 956                        |
| 22h           | 140                        | 56h           | 348                        | 89h           | 552                        | BCh           | 756                        | EFh           | 960                        |
| 23h           | 144                        | 57h           | 352                        | 8Ah           | 556                        | BDh           | 760                        | F0h           | 964                        |
| 24h           | 148                        | 58h           | 356                        | 8Bh           | 560                        | BEh           | 764                        | F1h           | 968                        |
| 25h           | 152                        | 59h           | 360                        | 8Ch           | 564                        | BFh           | 768                        | F2h           | 972                        |
| 26h           | 156                        | 5Ah           | 364                        | 8Dh           | 568                        | C0h           | 772                        | F3h           | 976                        |
| 27h           | 160                        | 5Bh           | 368                        | 8Eh           | 572                        | C1h           | 776                        | F4h           | 980                        |
| 28h           | 164                        | 5Ch           | 372                        | 8Fh           | 576                        | C2h           | 780                        | F5h           | 984                        |
| 29h           | 168                        | 5Dh           | 376                        | 90h           | 580                        | C3h           | 784                        | F6h           | 988                        |
| 2Ah           | 172                        | 5Eh           | 380                        | 91h           | 584                        | C4h           | 788                        | F7h           | 992                        |
| 2Bh           | 176                        | 5Fh           | 384                        | 92h           | 588                        | C5h           | 792                        | F8h           | 996                        |
| 2Ch           | 180                        | 60h           | 388                        | 93h           | 592                        | C6h           | 796                        | F9h           | 1000                       |
| 2Dh           | 184                        | 61h           | 392                        | 94h           | 596                        | C7h           | 800                        | FAh           | 1004                       |
| 2Eh           | 188                        | 62h           | 396                        | 95h           | 600                        | C8h           | 804                        | FBh           | 1008                       |
| 2Fh           | 192                        | 63h           | 400                        | 96h           | 604                        | C9h           | 808                        | FCh           | 1012                       |
| 30h           | 196                        | 64h           | 404                        | 97h           | 608                        | CAh           | 812                        | FDh           | 1016                       |
| 31h           | 200                        | 65h           | 408                        | 98h           | 612                        | CBh           | 816                        | FEh           | 1020                       |
| 32h           | 204                        | 66h           | 412                        | 99h           | 616                        | CCh           | 820                        | FFh           | 1024                       |
| 33h           | 208                        |               |                            |               |                            |               |                            |               |                            |

Number of repetition

| Setting value | times | Setting value | times | Setting value | times | Setting value | times | Setting value | times | Setting value | times |
|---------------|-------|---------------|-------|---------------|-------|---------------|-------|---------------|-------|---------------|-------|
| 00h           | 1     | 2Bh           | 44    | 56h           | 87    | 81h           | 130   | ACh           | 173   | D6h           | 215   |
| 01h           | 2     | 2Ch           | 45    | 57h           | 88    | 82h           | 131   | ADh           | 174   | D7h           | 216   |
| 02h           | 3     | 2Dh           | 46    | 58h           | 89    | 83h           | 132   | A Eh          | 175   | D8h           | 217   |
| 03h           | 4     | 2Eh           | 47    | 59h           | 90    | 84h           | 133   | AFh           | 176   | D9h           | 218   |
| 04h           | 5     | 2Fh           | 48    | 5Ah           | 91    | 85h           | 134   | B0h           | 177   | DAh           | 219   |
| 05h           | 6     | 30h           | 49    | 5Bh           | 92    | 86h           | 135   | B1h           | 178   | DBh           | 220   |
| 06h           | 7     | 31h           | 50    | 5Ch           | 93    | 87h           | 136   | B2h           | 179   | DCh           | 221   |
| 07h           | 8     | 32h           | 51    | 5Dh           | 94    | 88h           | 137   | B3h           | 180   | DDh           | 222   |
| 08h           | 9     | 33h           | 52    | 5Eh           | 95    | 89h           | 138   | B4h           | 181   | DEh           | 223   |
| 09h           | 10    | 34h           | 53    | 5Fh           | 96    | 8Ah           | 139   | B5h           | 182   | DFh           | 224   |
| 0Ah           | 11    | 35h           | 54    | 60h           | 97    | 8Bh           | 140   | B6h           | 183   | E0h           | 225   |
| 0Bh           | 12    | 36h           | 55    | 61h           | 98    | 8Ch           | 141   | B7h           | 184   | E1h           | 226   |
| 0Ch           | 13    | 37h           | 56    | 62h           | 99    | 8Dh           | 142   | B8h           | 185   | E2h           | 227   |
| 0Dh           | 14    | 38h           | 57    | 63h           | 100   | 8Eh           | 143   | B9h           | 186   | E3h           | 228   |
| 0Eh           | 15    | 39h           | 58    | 64h           | 101   | 8Fh           | 144   | BAh           | 187   | E4h           | 229   |
| 0Fh           | 16    | 3Ah           | 59    | 65h           | 102   | 90h           | 145   | BBh           | 188   | E5h           | 230   |
| 10h           | 17    | 3Bh           | 60    | 66h           | 103   | 91h           | 146   | BCh           | 189   | E6h           | 231   |
| 11h           | 18    | 3Ch           | 61    | 67h           | 104   | 92h           | 147   | BDh           | 190   | E7h           | 232   |
| 12h           | 19    | 3Dh           | 62    | 68h           | 105   | 93h           | 148   | BEh           | 191   | E8h           | 233   |
| 13h           | 20    | 3Eh           | 63    | 69h           | 106   | 94h           | 149   | BFh           | 192   | E9h           | 234   |
| 14h           | 21    | 3Fh           | 64    | 6Ah           | 107   | 95h           | 150   | C0h           | 193   | EAh           | 235   |
| 15h           | 22    | 40h           | 65    | 6Bh           | 108   | 96h           | 151   | C1h           | 194   | EBh           | 236   |
| 16h           | 23    | 41h           | 66    | 6Ch           | 109   | 97h           | 152   | C2h           | 195   | ECh           | 237   |
| 17h           | 24    | 42h           | 67    | 6Dh           | 110   | 98h           | 153   | C3h           | 196   | EDh           | 238   |
| 18h           | 25    | 43h           | 68    | 6Eh           | 111   | 99h           | 154   | C4h           | 197   | EEh           | 239   |
| 19h           | 26    | 44h           | 69    | 6Fh           | 112   | 9Ah           | 155   | C5h           | 198   | EFh           | 240   |
| 1Ah           | 27    | 45h           | 70    | 70h           | 113   | 9Bh           | 156   | C6h           | 199   | F0h           | 241   |
| 1Bh           | 28    | 46h           | 71    | 71h           | 114   | 9Ch           | 157   | C7h           | 200   | F1h           | 242   |
| 1Ch           | 29    | 47h           | 72    | 72h           | 115   | 9Dh           | 158   | C8h           | 201   | F2h           | 243   |
| 1Dh           | 30    | 48h           | 73    | 73h           | 116   | 9Eh           | 159   | C9h           | 202   | F3h           | 244   |
| 1Eh           | 31    | 49h           | 74    | 74h           | 117   | 9Fh           | 160   | CAh           | 203   | F4h           | 245   |
| 1Fh           | 32    | 4Ah           | 75    | 75h           | 118   | A0h           | 161   | CBh           | 204   | F5h           | 246   |
| 20h           | 33    | 4Bh           | 76    | 76h           | 119   | A1h           | 162   | CCh           | 205   | F6h           | 247   |
| 21h           | 34    | 4Ch           | 77    | 77h           | 120   | A2h           | 163   | CDh           | 206   | F7h           | 248   |
| 22h           | 35    | 4Dh           | 78    | 78h           | 121   | A3h           | 164   | CEh           | 207   | F8h           | 249   |
| 23h           | 36    | 4Eh           | 79    | 79h           | 122   | A4h           | 165   | CFh           | 208   | F9h           | 250   |
| 24h           | 37    | 4Fh           | 80    | 7Ah           | 123   | A5h           | 166   | D0h           | 209   | FAh           | 251   |
| 25h           | 38    | 50h           | 81    | 7Bh           | 124   | A6h           | 167   | D1h           | 210   | FBh           | 252   |
| 26h           | 39    | 51h           | 82    | 7Ch           | 125   | A7h           | 168   | D2h           | 211   | FCh           | 253   |
| 27h           | 40    | 52h           | 83    | 7Dh           | 126   | A8h           | 169   | D3h           | 212   | FDh           | 254   |
| 28h           | 41    | 53h           | 84    | 7Eh           | 127   | A9h           | 170   | D4h           | 213   | FEh           | 255   |
| 29h           | 42    | 54h           | 85    | 7Fh           | 128   | AAh           | 171   | D5h           | 214   | FFh           | 256   |
| 2Ah           | 43    | 55h           | 86    | 80h           | 129   | ABh           | 172   |               |       |               |       |

Edit silent/sound detection output with edit playback



In the edit silent section, a gap as 2.5ms is produced between a setting value and an actual value.

## Specific pattern

## SEQ pattern 1: 01h

The “L” level is output in time the event activation. In time WS1 after that, and start the POP noise elimination. In time WS2 after that, and play the sound. In time WS3 after that, and start the POP noise elimination. In time WS4 after that, the “H” level is output.

## SEQ pattern 2: 02h

The “L” level is output in time the event activation. In time WS1 after that, and start the POP noise elimination. In time WS2 after that, and play the sound. After that, the “H” level is output. In time WS3 after that, and start the POP noise elimination.

## SEQ pattern 3: 03h

The “L” level is output after the event activation and POP noise elimination. In time WS2 after that, and play the sound. In time WS3 after that, and start the POP noise elimination. In time WS4 after that, the “H” level is output.

## SEQ pattern 4: 04h

The “L” level is output after the event activation and POP noise elimination. In time WS2 after that, and play the sound. After that, the “H” level is output. In time  $t_{SEQD3}$  after that, and start the POP noise elimination.

## SEQ pattern 5: 05h

The “H” level is output in time the event activation. In time WS1 after that, and start the POP noise elimination. In time WS2 after that, and play the sound. In time WS3 after that, and start the POP noise elimination. In time WS4 after that, the “L” level is output.

## SEQ pattern 6: 06h

The “H” level is output in time the event activation. In time WS1 after that, and start the POP noise elimination. In time WS2 after that, and play the sound. After that, the “L” level is output. In time WS3 after that, and start the POP noise elimination.

## SEQ pattern 7: 07h

The “H” level is output after the event activation and POP noise elimination. In time WS2 after that, and play the sound. In time WS3 after that, and start the POP noise elimination. In time WS4 after that, the “L” level is output.

## SEQ pattern 8: 08h

The “H” level is output after the event activation and POP noise elimination. In time WS2 after that, and play the sound. After that, the “L” level is output. In time  $t_{SEQD3}$  after that, and start the POP noise elimination.

SEQ pattern 9 to 12: 09h to 0Ch

While executing event, the pulses having width  $t_{SEQW}$  and period  $t_{SEQD} + t_{SEQW}$  are output by the set cycles.

\* If the time of pulses is longer than the time of play sound, and have SEQ output initialize level specified by Mask option after play the sound.

SEQ pattern 13, 16: 0Dh , 0Fh

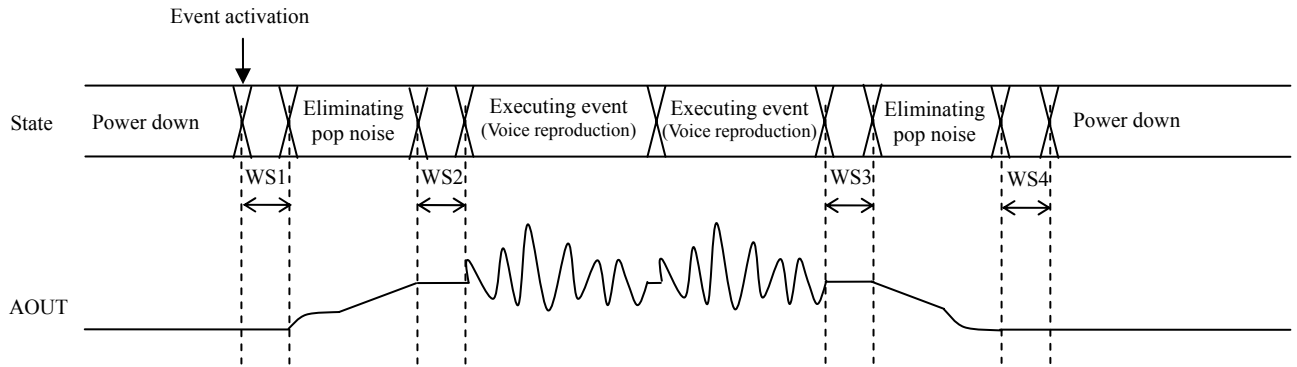
The “L” level is output when edited silence is played back and the “H” level is output when edited phrases are played back.

SEQ pattern 14, 15: 0Eh, 10h

The “H” level is output when edited silence is played back and the “L” level is output when edited phrases are played back.

**Wait time setting before and after playback (WS1, WS2, WS3, WS4)**

Each phrase can set up the wait time before and after playback.  
It is set into the ROM. The ROM data is created using a Speech LSI Utility.  
The Speech LSI Utility is dedicated software.



- WS1: Time after inputting a phrase address, until SPP/SPM pins are enabled.
- WS2: Time after SPP/SPM pins are enabled, until playback is started.
- WS3: Time after playback is completed, until SPP/SPM pins are disabled.
- WS4: Time after SPP/SPM pins are disabled, until it will be in a standby state.

WS1-WS4 can be arbitrarily set up between 0 to 1020ms (4ms unit).



Wait time setting before and after playback (WS1, WS2, WS3, WS4)

| Setting value | wait time [ms] | Setting value | wait time [ms] | Setting value | wait time [ms] | Setting value | wait time [ms] | Setting value | wait time [ms] |
|---------------|----------------|---------------|----------------|---------------|----------------|---------------|----------------|---------------|----------------|
| 00h           | 0              | 34h           | 208            | 67h           | 412            | 9Ah           | 616            | CDh           | 820            |
| 01h           | 4              | 35h           | 212            | 68h           | 416            | 9Bh           | 620            | CEh           | 824            |
| 02h           | 8              | 36h           | 216            | 69h           | 420            | 9Ch           | 624            | CFh           | 828            |
| 03h           | 12             | 37h           | 220            | 6Ah           | 424            | 9Dh           | 628            | D0h           | 832            |
| 04h           | 16             | 38h           | 224            | 6Bh           | 428            | 9Eh           | 632            | D1h           | 836            |
| 05h           | 20             | 39h           | 228            | 6Ch           | 432            | 9Fh           | 636            | D2h           | 840            |
| 06h           | 24             | 3Ah           | 232            | 6Dh           | 436            | A0h           | 640            | D3h           | 844            |
| 07h           | 28             | 3Bh           | 236            | 6Eh           | 440            | A1h           | 644            | D4h           | 848            |
| 08h           | 32             | 3Ch           | 240            | 6Fh           | 444            | A2h           | 648            | D5h           | 852            |
| 09h           | 36             | 3Dh           | 244            | 70h           | 448            | A3h           | 652            | D6h           | 856            |
| 0Ah           | 40             | 3Eh           | 248            | 71h           | 452            | A4h           | 656            | D7h           | 860            |
| 0Bh           | 44             | 3Fh           | 252            | 72h           | 456            | A5h           | 660            | D8h           | 864            |
| 0Ch           | 48             | 40h           | 256            | 73h           | 460            | A6h           | 664            | D9h           | 868            |
| 0Dh           | 52             | 41h           | 260            | 74h           | 464            | A7h           | 668            | DAh           | 872            |
| 0Eh           | 56             | 42h           | 264            | 75h           | 468            | A8h           | 672            | DBh           | 876            |
| 0Fh           | 60             | 43h           | 268            | 76h           | 472            | A9h           | 676            | DCh           | 880            |
| 10h           | 64             | 44h           | 272            | 77h           | 476            | AAh           | 680            | DDh           | 884            |
| 11h           | 68             | 45h           | 276            | 78h           | 480            | ABh           | 684            | DEh           | 888            |
| 12h           | 72             | 46h           | 280            | 79h           | 484            | ACh           | 688            | DFh           | 892            |
| 13h           | 76             | 47h           | 284            | 7Ah           | 488            | ADh           | 692            | E0h           | 896            |
| 14h           | 80             | 48h           | 288            | 7Bh           | 492            | A Eh          | 696            | E1h           | 900            |
| 15h           | 84             | 49h           | 292            | 7Ch           | 496            | AFh           | 700            | E2h           | 904            |
| 16h           | 88             | 4Ah           | 296            | 7Dh           | 500            | B0h           | 704            | E3h           | 908            |
| 17h           | 92             | 4Bh           | 300            | 7Eh           | 504            | B1h           | 708            | E4h           | 912            |
| 18h           | 96             | 4Ch           | 304            | 7Fh           | 508            | B2h           | 712            | E5h           | 916            |
| 19h           | 100            | 4Dh           | 308            | 80h           | 512            | B3h           | 716            | E6h           | 920            |
| 1Ah           | 104            | 4Eh           | 312            | 81h           | 516            | B4h           | 720            | E7h           | 924            |
| 1Bh           | 108            | 4Fh           | 316            | 82h           | 520            | B5h           | 724            | E8h           | 928            |
| 1Ch           | 112            | 50h           | 320            | 83h           | 524            | B6h           | 728            | E9h           | 932            |
| 1Dh           | 116            | 51h           | 324            | 84h           | 528            | B7h           | 732            | EAh           | 936            |
| 1Eh           | 120            | 52h           | 328            | 85h           | 532            | B8h           | 736            | EBh           | 940            |
| 1Fh           | 124            | 53h           | 332            | 86h           | 536            | B9h           | 740            | ECh           | 944            |
| 20h           | 128            | 54h           | 336            | 87h           | 540            | BAh           | 744            | EDh           | 948            |
| 21h           | 132            | 55h           | 340            | 88h           | 544            | BBh           | 748            | EEh           | 952            |
| 22h           | 136            | 56h           | 344            | 89h           | 548            | BCh           | 752            | EFh           | 956            |
| 23h           | 140            | 57h           | 348            | 8Ah           | 552            | BDh           | 756            | F0h           | 960            |
| 24h           | 144            | 58h           | 352            | 8Bh           | 556            | BEh           | 760            | F1h           | 964            |
| 25h           | 148            | 59h           | 356            | 8Ch           | 560            | BFh           | 764            | F2h           | 968            |
| 26h           | 152            | 5Ah           | 360            | 8Dh           | 564            | C0h           | 768            | F3h           | 972            |
| 27h           | 156            | 5Bh           | 364            | 8Eh           | 568            | C1h           | 772            | F4h           | 976            |
| 28h           | 160            | 5Ch           | 368            | 8Fh           | 572            | C2h           | 776            | F5h           | 980            |
| 29h           | 164            | 5Dh           | 372            | 90h           | 576            | C3h           | 780            | F6h           | 984            |
| 2Ah           | 168            | 5Eh           | 376            | 91h           | 580            | C4h           | 784            | F7h           | 988            |
| 2Bh           | 172            | 5Fh           | 380            | 92h           | 584            | C5h           | 788            | F8h           | 992            |
| 2Ch           | 176            | 60h           | 384            | 93h           | 588            | C6h           | 792            | F9h           | 996            |
| 2Dh           | 180            | 61h           | 388            | 94h           | 592            | C7h           | 796            | FAh           | 1000           |
| 2Eh           | 184            | 62h           | 392            | 95h           | 596            | C8h           | 800            | FBh           | 1004           |
| 2Fh           | 188            | 63h           | 396            | 96h           | 600            | C9h           | 804            | FCh           | 1008           |
| 30h           | 192            | 64h           | 400            | 97h           | 604            | CAh           | 808            | FDh           | 1012           |
| 31h           | 196            | 65h           | 404            | 98h           | 608            | CBh           | 812            | FEh           | 1016           |
| 32h           | 200            | 66h           | 408            | 99h           | 612            | CCh           | 816            | FFh           | 1020           |
| 33h           | 204            |               |                |               |                |               |                |               |                |

**And volume setting is as follows. (Volume)**

Each phrase can set up the volume setup. It is set into the ROM.  
The ROM data is created using a Speech LSI Utility.  
The Speech LSI Utility is dedicated software.

| Setting value | Volume [dB] | Setting value | Volume [dB] | Setting value | Volume [dB] |
|---------------|-------------|---------------|-------------|---------------|-------------|
| 00h           | +2.98       | 0Ah           | -0.41       | 15h           | -6.87       |
| 01h           | +2.70       | 0Bh           | -0.83       | 16h           | -7.79       |
| 02h           | +2.40       | 0Ch           | -1.28       | 17h           | -8.82       |
| 03h           | +2.10       | 0Dh           | -1.75       | 18h           | -9.99       |
| 04h           | +1.78       | 0Eh           | -2.25       | 19h           | -11.34      |
| 05h           | +1.45       | 0Fh           | -2.77       | 1Ah           | -12.94      |
| 06h           | +1.11       | 10h           | -3.34       | 1Bh           | -14.90      |
| 07h           | +0.76       | 11h           | -3.94       | 1Ch           | -17.44      |
| 08h           | +0.39       | 12h           | -4.58       | 1Dh           | -21.04      |
| 09h           | +0.00       | 13h           | -5.28       | 1Eh           | -27.31      |
|               |             | 14h           | -6.04       | 1Fh           | OFF         |

**Setting of Mask Option**

The following table shows the items which can be set by using the Mask option (ROM data):  
 During initialization processing after power on, mask option data are transferred automatically to each setting.  
 The ROM data is created using a Speech LSI Utility.  
 The Speech LSI Utility is dedicated software.

| Function  | Description  | The item of "speech LSI Utility"  |
|---|--|---|
| Setting of the internal speaker amplifier         | Use or unuse of the internal speaker amplifier selectable  | Use of Speaker AMP  |
| Setting of thermal detection                      | Use or unuse of thermal detection selectable   | Thermal check ON  |
| Setting of judgement temperature                  | 150°C or 125°C or 100°C selectable   | Judgement Temperature<br>150°C<br>125°C<br>100°C  |
| Gain setting                                      | +6dB or +12dB selectable   | Gain<br>+6dB<br>+12dB   |
| EVIN0-4 pin input setting                         | High-impedance input (CMOS input), pull-up input, or pull-down input selectable (EVIN0 pin can specify only high-impedance input and pull-up input )   | EVIN Pins Setting<br>EVIN0-4<br>Hi-Z<br>Pull Down<br>Pull Up                                |
| Setting of use or unuse of SEQ0-6 pins            | Use or unuse of the SEQ output of SEQ0-6 pins selectable (SEQ0 pin can specify only the "use")   | SEQ Pins Setting<br>SEQ0-6<br>Use of SEQ0-6   |
| Setting of the initial value of SEQ0-6 pin output | "L" output, or "H" output state selectable (SEQ0 pin can specify only the "L" output)  | SEQ Pins Setting<br>SEQ0-6<br>Initial State<br>L level Output<br>H level Output             |
| Setting of SEQ0-6 pin output                      | As for the "CMOS" output setting, the "L" level output becomes "L" level and the "H" level output becomes "H" level output. As for the "Nch open drain" output setting, the "L" level output becomes "L" level and the "H" level output becomes "Hi-Z" output. As for the "Pch open drain" output setting, the "H" level output becomes "H" level and the "L" level output becomes "Hi-Z" output. As for the "Hi-Z" output setting always becomes "Hi-Z". Set when the output is open.<br>( SEQ0 pin can specify only the CMOS output )<br>And SEQ3-6 can be set for the LED drive pins. | SEQ Pins Setting<br>SEQ0-6<br>Condition<br>CMOS<br>Nch Open Drain<br>Pch Open Drain<br>Hi-Z |

**Voice Synthesis Algorithm**

Five types of voice synthesis algorithm are supported. They are 4-bit ADPCM2, 8-bit non-linear PCM, 8-bit straight PCM and 16-bit straight PCM. Select the best one according to the characteristics of voice.

The following table shows key features of each algorithm.

| Voice synthesis algorithm | Feature  |
|---------------------------|--|
| HQ- ADPCM                 | Algorithm that enables high sound quality and high compression, which have been achieved by the improved 4-bit ADPCM that uses variable bit-length coding. |
| 4-bit ADPCM2              | Up version of LAPIS Semiconductor's specific voice synthesis algorithm (: 4-bit ADPCM). Voice quality is improved.   |
| 8-bit Nonlinear PCM       | Algorithm, which plays back mid-range of waveform as 10-bit equivalent voice quality.  |
| 8-bit PCM                 | Normal 8-bit PCM algorithm   |
| 16-bit PCM                | Normal 16-bit PCM algorithm  |

**Memory Allocation and Creating Voice Data**

The ROM is partitioned into four data areas: voice (i.e., phrase) control area, test area, voice area, and edit ROM area.

The voice control area manages the voice data in the ROM. It contains data for controlling the start/stop addresses of voice data for 30 phrases, use/non-use of the edit ROM function and so on.

The test area contains data for testing.

The voice area contains actual waveform data.

The edit ROM area contains data for effective use of voice data. For the details, refer to the section of "Edit ROM Function."

The edit ROM area is not available if the edit ROM is not used.

The ROM data is created using a dedicated tool.

Configuration of ML22(Q)340 ROM data

|              |  |
|--------------|--|
| 0x00000      | Prohibition of use area<br>(Fixed 128 Kbits)         |
| 0x03FFF      |  |
| 0x04000      | Voice area 2   |
| max. 0x0FBFF |  |
| max. 0x0FBFF | Edit ROM area<br>Depends on creation<br>of ROM data. |
| 0x0FC00      | Test area  |
| 0x0FFFF      |  |
| 0x10000      | Voice control area<br>(Fixed 12 Kbits)               |
| 0x105FF      |  |
| 0x10600      | Voice area 1   |
| 0x17FFF      |  |

Configuration of ML22(Q)341 ROM data

|              |  |
|--------------|--|
| 0x00000      | Prohibition of use area<br>(Fixed 128 Kbits)         |
| 0x03FFF      |  |
| 0x04000      | Voice area 2   |
| max. 0x0FBFF |  |
| max. 0x0FBFF | Edit ROM area<br>Depends on creation<br>of ROM data. |
| 0x0FC00      | Test area  |
| 0x0FFFF      |  |
| 0x10000      | Voice control area<br>(Fixed 12 Kbits)               |
| 0x105FF      |  |
| 0x10600      | Voice area 1   |
| 0x1FFFF      |  |

The one phrase must make 50ms or more length.

Since the data which exceeds 64 K bytes in one phrase cannot be played, please divide the voice phrase to be set to each below 64 K bytes, and join those data by the edit phrase function.

**Playback Time and Memory Capacity**

The playback time depends on the memory capacity, sampling frequency, and the playback method. The equation to know the playback time is shown below. But this is not applied if the edit ROM function is used.

$$\text{Playback time [sec]} = \frac{1.024 \times (\text{Voice area 1} + \text{Voice area 2}) \text{ [Kbits]}}{\text{Sampling frequency [kHz]} \times \text{Bit length}}$$

(Bit length is 4 at the 4-bit ADPCM2 and 8/16 at the PCM.)

Example) In the case that the sampling frequency is 8 kHz, algorithm is 4-bit ADPCM2, the playback time is approx. 29.4 seconds, as shown below.

$$\text{Playback time} = \frac{1.024 \times 876 \text{ [Kbits]}}{8 \text{ [kHz]} \times 4 \text{ [bits]}} \cong 28.0 \text{ [sec]}$$

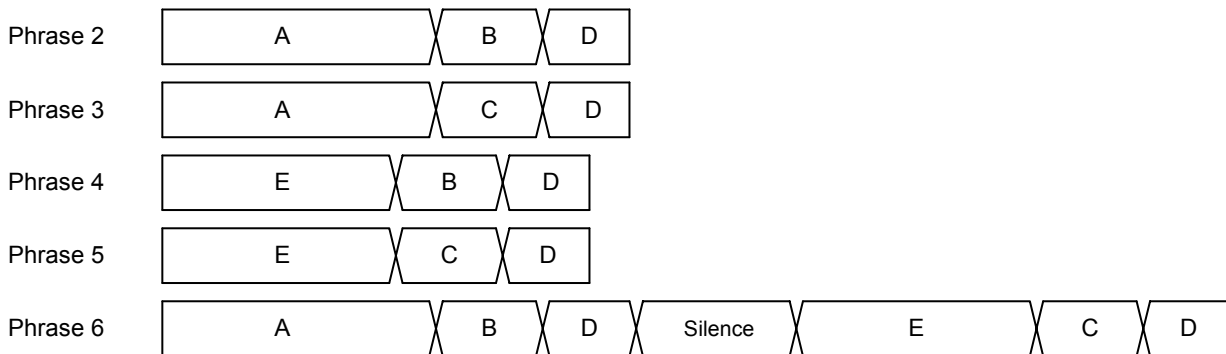
**Edit ROM Function**

The edit ROM function makes it possible to play back multiple phrases in succession. The following functions are set using the edit ROM function:

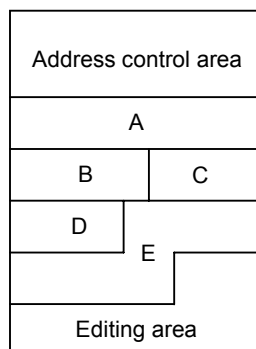
- Continuous playback: There is no limit to set the number of times of the continuous playback. It depends on the memory capacity only.
- Silence insertion function: 20ms to 1,024 ms (4ms unit)  
Note: Silent insertion time varies for ±1ms by the sampling frequency  
Note: At the change immediately mode, the silence insertion function cannot use.

It is possible to use voice ROM effectively to use the edit ROM function. Below is an example of the ROM structure, case of using the edit ROM function.

Example 1) Phrases using the Edit ROM Function



Example 2) Structure of the ROM that contents of Example 1 are stored

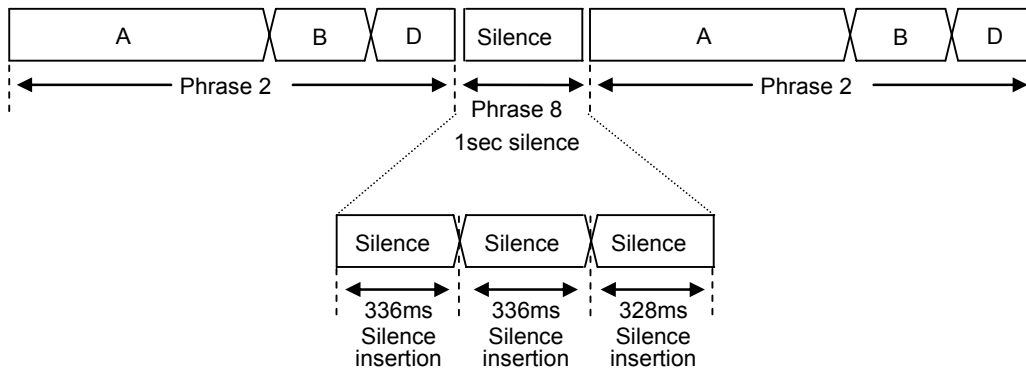


**Notice of silence insertion function**

If it is only silence phrase registered, please put in order three or more silence phrase.  
The phrase which is constituted from one or two of silence phrase does not playback.

Example 3) Phrase composition in the case of using silence insertion function

The phrase to playback (The phrase 2 is played back twice on both sides of 1 sec silence.)



1 sec which is constituted by the three silences is registered as the phrase 8.

**The ROM consumption when using the edit ROM function**

When playing more than one phrases continuously, the ROM consumption is used 64 bits per 1 phrase.  
The silence insertion function is used 16 bits every once.

**TERMINATION OF THE  $V_{DDL}$  PIN**

The  $V_{DDL}$  pin is the regulator output that is power supply pin for the internal logic circuits. Connect a capacitor between this pin and the ground in order to prevent noise generation and power fluctuation.

The recommended capacitance value is shown below. However, it is important to evaluate and decide using the own board. Also, start the next operation after each output voltage is stabilized.

| Pin       | Recommended capacitance value | Remarks  |
|-----------|-------------------------------|--|
| $V_{DDL}$ | 10 $\mu$ F $\pm$ 20%          | The larger the connection capacitance, the longer the settling time. |

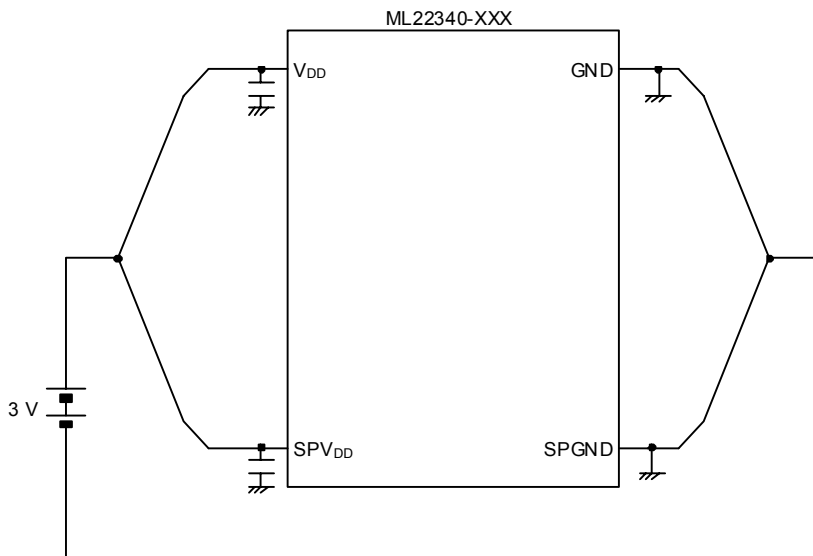
**POWER SUPPLY WIRING**

The power supply of this LSI is divided into the following sections:

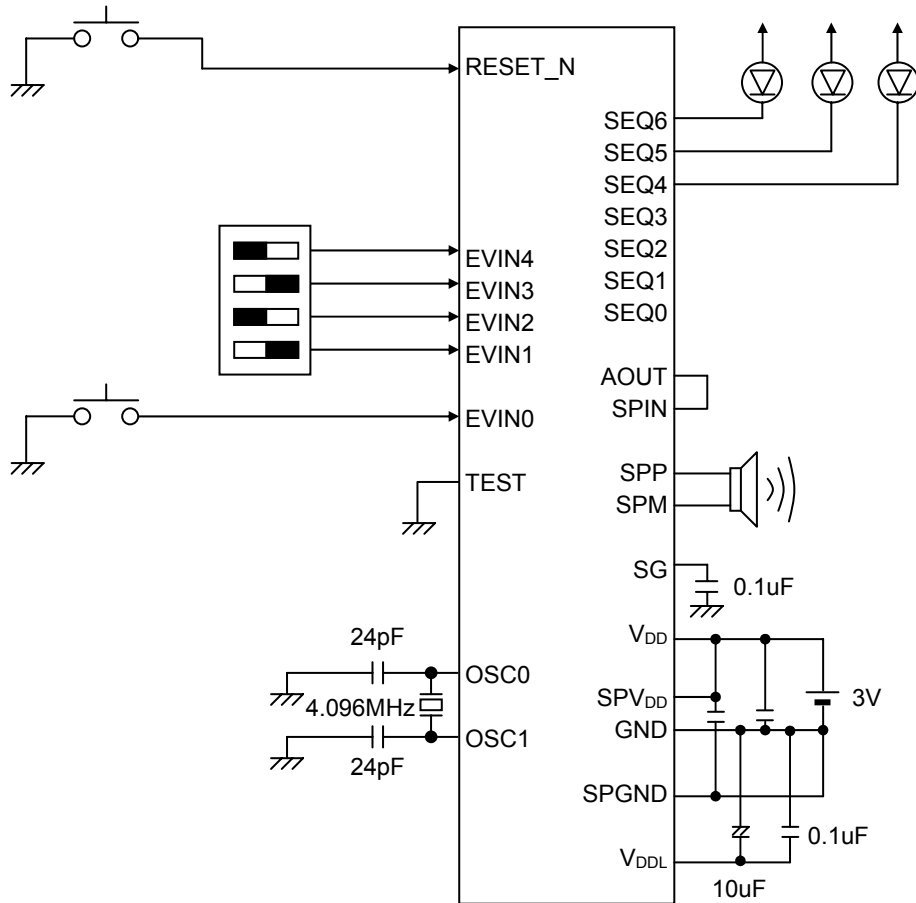
- Digital power supply ( $V_{DD}$ )
- Analog power supply ( $SPV_{DD}$ )

As shown below, supply the same power supply to  $V_{DD}$  and  $SPV_{DD}$  and separate the analog and digital power supplies by wiring.

Power supply voltage = 3 V

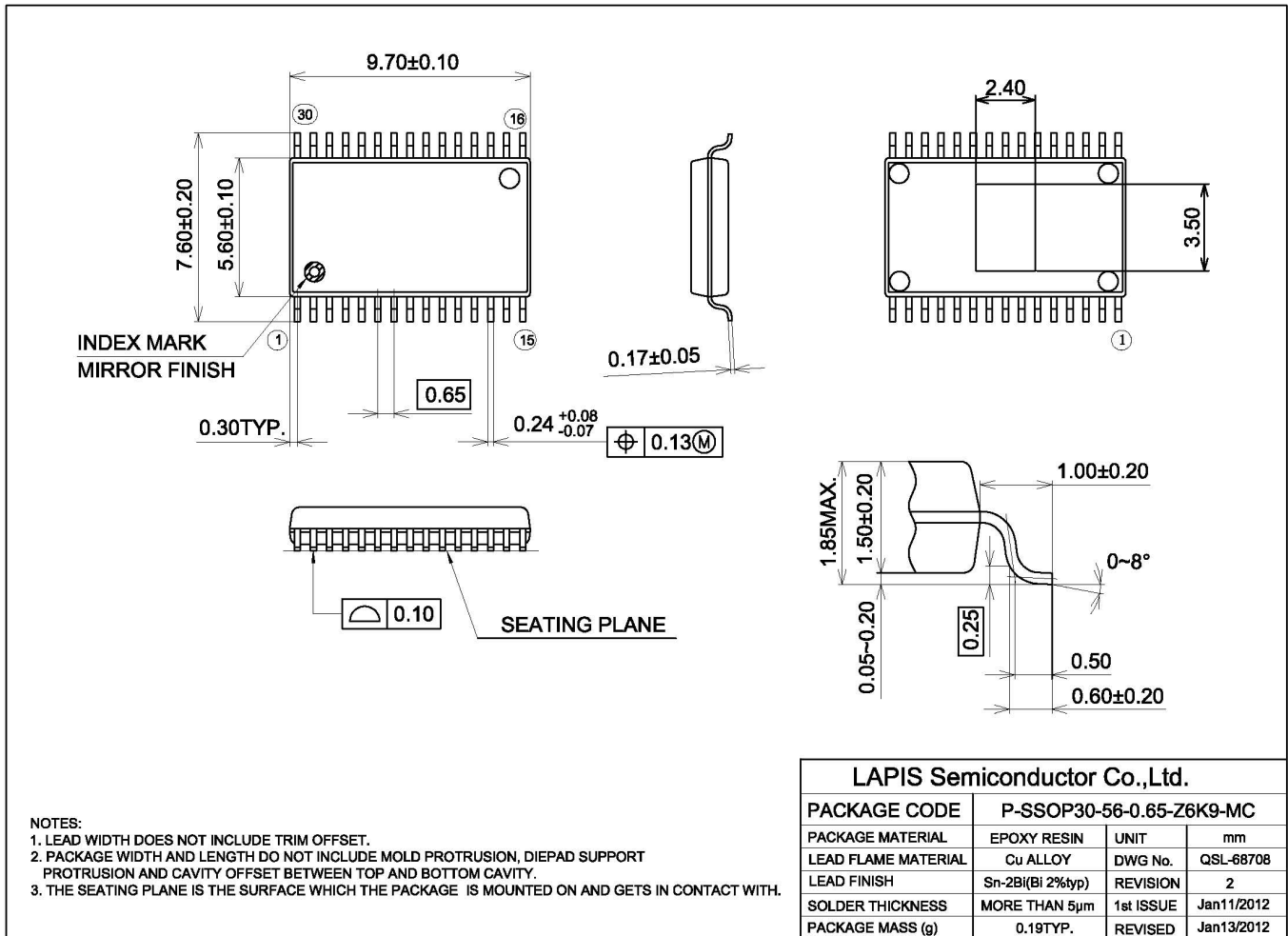


**EXAMPLE OF APPLICATION CIRCUIT**





**PACKAGE DIMENSIONS**



**Notes for Mounting the Surface Mount Type Package**

The surface mount type packages are very susceptible to heat in reflow mounting and humidity absorbed in storage. Therefore, before you perform reflow mounting, contact ROHM's responsible sales person for the product name, package name, pin number, package code and desired mounting conditions (reflow method, temperature and times).

The heat resistance (example) of this LSI is shown below. Heat resistance ( $\theta_{Ja}$ ) changes with the size and the number of layers of a substrate.

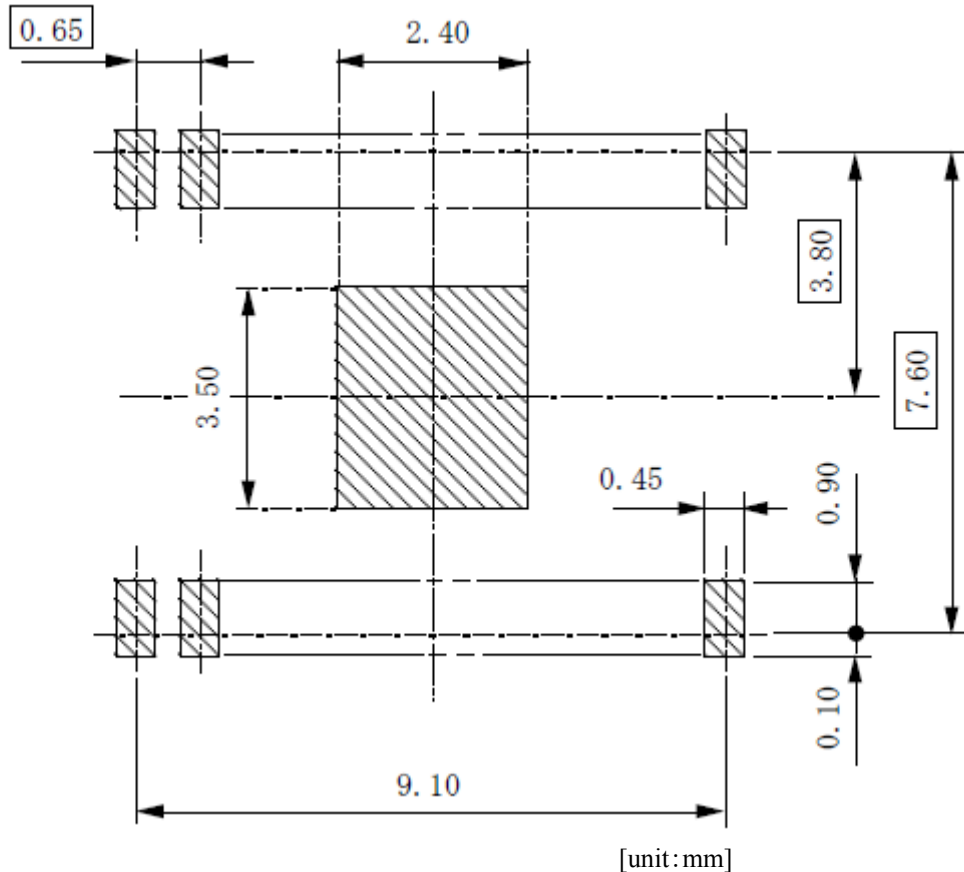
|   |                                     |
|---|-------------------------------------|
| Die pad on the back of a package partial ground contact area          | 100%                                |
| PCB   | JEDEC<br>(W/L/t=76.2/114.5/1.6(mm)) |
| PCB Layer   | 4L                                  |
| Air cooling conditions  | Calm(0m/sec)                        |
| Heat resistance( $\theta_{Ja}$ )                                      | 45[°C/W]                            |
| Power consumption of Chip P <sub>Max</sub> at OutputPower 1W (5V)     | 0.818[W]                            |
| Power consumption of Chip P <sub>Max</sub> at OutputPower 0.5W (3.3V) | 0.283[W]                            |

T<sub>jMax</sub> of this LSI is 125°C. T<sub>jMax</sub> is expressed with the following formulas.

$$T_{jMax} = T_{aMax} + \theta_{Ja} \times P_{Max}$$

Mounting area for package lead soldering to PCB (reference data) is shown below.  
Die pad on the back of a package should connect with the substrate of opening or a GND for heat dissipation.

## Mounting area for package lead soldering to PC boards



When laying out PC boards, it is important to design the foot pattern so as to give consideration to ease of mounting, bonding, positioning of parts, reliability, writing, and elimination of solder bridges.

The optimum design for the foot pattern varies with the materials of the substrate, the sort and thickness of used soldering paste, and the way of soldering. Therefore when laying out the foot pattern on the PC boards, refer to this figure which means the mounting area that the package leads are allowable for soldering to PC boards.

**REVISION HISTORY**

| Document No. | Date         | Page   |                 | Description  |
|--------------|--------------|--|-----------------|--|
|              |              | Previous Edition   | Current Edition |  |
| FEDL22340-01 | Jan. 6, 2011 | –  | –               | Final edition 1  |
| FEDL22340-02 | Mar. 23,2015 | 1,2,3  | 1,2,3           | Change ROM size<br>640K(896K) -> 620K(876K)  |
|              |              | 1  | 1               | Change Playback Time.  |
|              |              | 9  | 6               | Digital power supply voltage<br>2.7 to 5.5 -> 3.0 to 5.5                                 |
|              |              | 9  | 6               | Flash memory rewrite cycles<br>80 -> 80 times  |
|              |              | 10   | 7               | “H” output voltage 2 $V_{OH2}$<br>OSC2 -> OSC1   |
|              |              | 10   | 7               | “L” output voltage 4 $V_{OL4}$<br>Add the notice of “When the LED drives”.               |
|              |              | 11   | 8               | AOUT output load resistance<br>$R_{LAO}$ -> $R_{LA}$                                     |
|              |              | 11   | 8               | AOUT output load resistance<br>During 1/2 $DV_{DD}$ output -> During 1/2 $V_{DD}$ output |
|              |              | 11   | 8               | AOUT output voltage range<br>$V_{AOUT}$ -> $V_{AO}$                                      |
|              |              | 11   | –               | Delete the “EVINn input pulse width”.  |
|              |              | –  | 8               | Add the notice of “Disconnection judging time”.  |
|              |              | 14   | 9               | Changes the starting point of “ $t_{OSC}$ .”   |
|              |              | –  | 14              | Add the Disconnection Detection Timing   |
|              |              | –  | 14              | Add the Thermal Detection Timing.  |
|              |              | –  | 15              | Add the description of “Playback mode setup”.  |
|              |              | –  | 19              | Add the table of “Pulse Width and Delay Time”.   |
|              |              | –  | 20              | Add the table of “repetition Number”.  |
|              |              | –  | 24              | Add the “Wait time setting before and after playback (WS1, WS2, WS3, WS4)”               |
|              |              | –  | 25              | Add the table of “Wait time setting before and after playback (WS1, WS2, WS3, WS4)”.     |
|              |              | 3  | 27              | Change the “Setting of Mask Option”.   |
| –            | 28           | Add the description of “Voice Synthesis Algorithm”.            |                 |  |
| –            | 28           | Add the notice of “Memory Allocation and Creating Voice Data”. |                 |  |

| Document No. | Date | Page             |                 | Description   |
|--------------|------|------------------|-----------------|---|
|              |      | Previous Edition | Current Edition |   |
|              |      | -                | 28              | Add the description of "minimal playback time".                       |
|              |      | -                | 29              | Add the description of "Playback Time and Memory Capacity".           |
|              |      | -                | 29              | Add the description of "Edit ROM Function".                           |
|              |      | -                | 30              | Add the notice of the "silence insertion function".                   |
|              |      | -                | 30              | Add the notice of "ROM consumption when using the edit ROM function". |
|              |      | -                | 31              | Add the notice of "TERMINATION OF THE V <sub>DDL</sub> PIN".          |
|              |      | 25               | 32              | EXAMPLE OF APPLICATION CIRCUIT<br>DV <sub>DD</sub> -> V <sub>DD</sub> |
|              |      | 26               | 33              | Changes the "package dimensions".                                     |
|              |      | 27               | 34              | The connection between the die pad and the substrate<br>VSS -> GND    |

**NOTES**

- 1) The information contained herein is subject to change without notice.
- 2) Although LAPIS Semiconductor is continuously working to improve product reliability and quality, semiconductors can break down and malfunction due to various factors. Therefore, in order to prevent personal injury or fire arising from failure, please take safety measures such as complying with the derating characteristics, implementing redundant and fire prevention designs, and utilizing backups and fail-safe procedures. LAPIS Semiconductor shall have no responsibility for any damages arising out of the use of our Products beyond the rating specified by LAPIS Semiconductor.
- 3) Examples of application circuits, circuit constants and any other information contained herein are provided only to illustrate the standard usage and operations of the Products. The peripheral conditions must be taken into account when designing circuits for mass production.
- 4) The technical information specified herein is intended only to show the typical functions of the Products and examples of application circuits for the Products. No license, expressly or implied, is granted hereby under any intellectual property rights or other rights of LAPIS Semiconductor or any third party with respect to the information contained in this document; therefore LAPIS Semiconductor shall have no responsibility whatsoever for any dispute, concerning such rights owned by third parties, arising out of the use of such technical information.
- 5) The Products are intended for use in general electronic equipment (i.e. AV/OA devices, communication, consumer systems, gaming/entertainment sets) as well as the applications indicated in this document.
- 6) The Products specified in this document are not designed to be radiation tolerant.
- 7) For use of our Products in applications requiring a high degree of reliability (as exemplified below), please contact and consult with a LAPIS Semiconductor representative: transportation equipment (i.e. cars, ships, trains), primary communication equipment, traffic lights, fire/crime prevention, safety equipment, medical systems, servers, solar cells, and power transmission systems.
- 8) Do not use our Products in applications requiring extremely high reliability, such as aerospace equipment, nuclear power control systems, and submarine repeaters.
- 9) LAPIS Semiconductor shall have no responsibility for any damages or injury arising from non-compliance with the recommended usage conditions and specifications contained herein.
- 10) LAPIS Semiconductor has used reasonable care to ensure the accuracy of the information contained in this document. However, LAPIS Semiconductor does not warrant that such information is error-free and LAPIS Semiconductor shall have no responsibility for any damages arising from any inaccuracy or misprint of such information.
- 11) Please use the Products in accordance with any applicable environmental laws and regulations, such as the RoHS Directive. For more details, including RoHS compatibility, please contact a ROHM sales office. LAPIS Semiconductor shall have no responsibility for any damages or losses resulting non-compliance with any applicable laws or regulations.
- 12) When providing our Products and technologies contained in this document to other countries, you must abide by the procedures and provisions stipulated in all applicable export laws and regulations, including without limitation the US Export Administration Regulations and the Foreign Exchange and Foreign Trade Act.
- 13) This document, in part or in whole, may not be reprinted or reproduced without prior consent of LAPIS Semiconductor.

Copyright 2011 – 2015 LAPIS Semiconductor Co., Ltd.

---

**LAPIS Semiconductor Co., Ltd.**

2-4-8 Shinyokohama, Kouhoku-ku,  
Yokohama 222-8575, Japan  
<http://www.lapis-semi.com/en/>