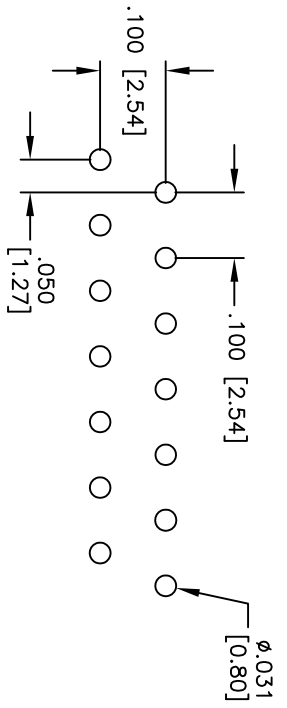
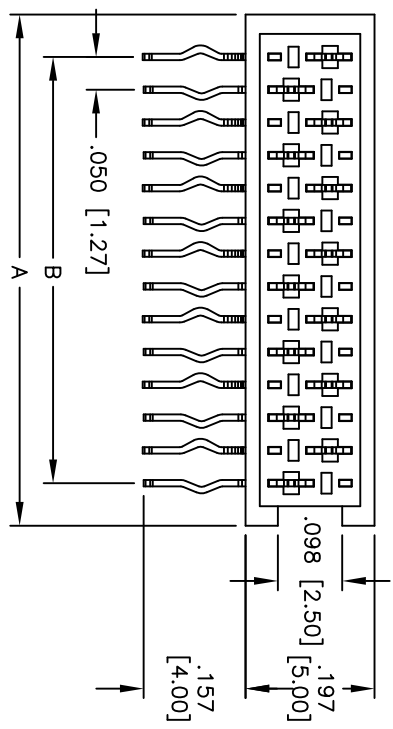
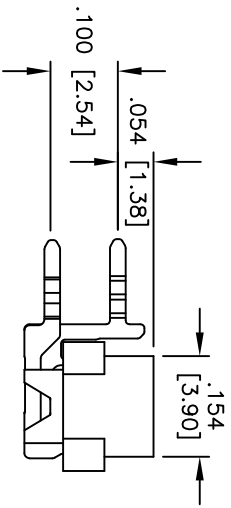
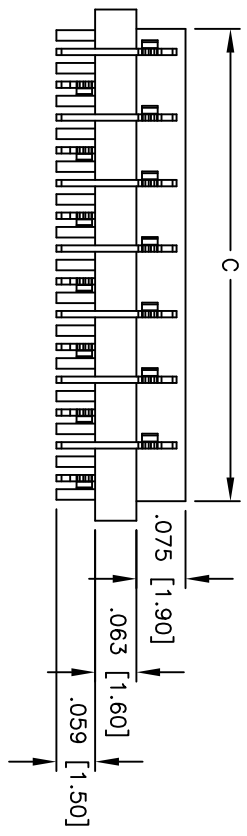


Rev	AWO #	Description	Date	Appr
-		RELEASED	10/27/09	

APPROVED: \_\_\_\_\_  
 DATE: \_\_\_\_\_ TITLE: \_\_\_\_\_



RECOMMENDED PCB LAYOUT



**SPECIFICATIONS:**

Material: Hi-temp thermoplastic, rated UL 94V-0  
 Insulator color: Red  
 Contacts: Phosphor Bronze  
 Plating: Tin over Copper underplate overall

**Electrical:**

Current rating: 1A AC/DC  
 Voltage rating: 30V AC/DC  
 Contact resistance: 20 mohms max.  
 Insulation resistance: 1,000 Mohms min.  
 Dielectric withstanding: 500V AC for 1 minute  
 Temperature Rating: -40°C to +105°C  
 Operating temperature: -40°C to +105°C  
 Environmental: Lead free, RoHS compliant  
 Recommended soldering temp: 260°C for 5 seconds



Positions: 4 thru 26  
 A = .050 [1.27] x No. of Positions + .076 [1.92]  
 B = .050 [1.27] x No. of Spaces  
 C = .050 [1.27] x No. of Positions + .020 [0.52]

UNLESS OTHERWISE SPECIFIED  
 ALL DIMENSIONS ARE INCHES [MM]  
 TOLERANCES: EXCEPT AS NOTED  
 INCHES HOLE SIZE  
 .X ± .10 ØXX ± .10  
 .XX ± .020 ØXXX ± .015  
 .XXX ± .015 ØXXXX ± .010

**ADAM TECH**

909 Railway Avenue, Union, NJ 07083  
 Phone: 908-687-5000 Fax: 908-687-5710

.050 [1.27] MICRO MATCH SOCKET,  
 RIGHT ANGLE, TIN PLATED

APPROVALS	DATE
DRAWN	10/27/09
CHECKED	
APPROVED	

SIZE	PART NO.	REV.
X	MPF-AXX-H-T	-
REF:	S00056T	SHEET 1 OF 1

6 5 4 3 2 1