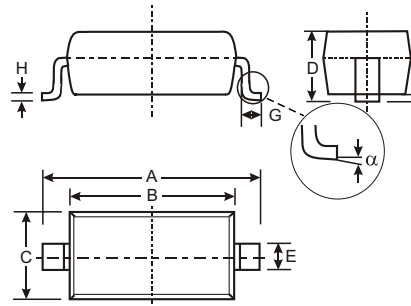


Features

- Surface Mount Package Ideally Suited for Automatic Insertion
- Very Low Leakage Current

Mechanical Data

- Case: SOD-123, Molded Plastic
- Case material - UL Flammability Rating Classification 94V-0
- Moisture sensitivity: Level 1 per J-STD-020A
- Terminals: Solderable per MIL-STD-202, Method 208
- Polarity: Cathode Band
- Marking: Date Code and Type Code, See Page 2 Type Code: 50
- Weight: 0.01 grams (approx.)



SOD-123		
Dim	Min	Max
A	3.55	3.85
B	2.55	2.85
C	1.40	1.70
D	—	1.35
E	0.55 Typical	
G	0.25	—
H	0.11 Typical	
J	—	0.10
α	0°	8°
All Dimensions in mm		

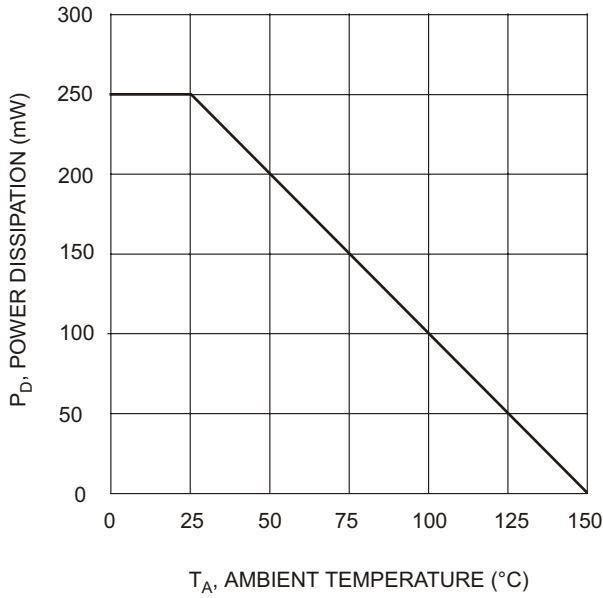
Maximum Ratings @ T_A = 25°C unless otherwise specified

Characteristic	Symbol	BAV116W	Unit
Peak Repetitive Reverse Voltage Working Peak Reverse Voltage DC Blocking Voltage	V _{RRM} V _{RWM} V _R	130	V
RMS Reverse Voltage	V _{R(RMS)}	90	V
Forward Continuous Current	I _{FM}	215	mA
Repetitive Peak Forward Current	I _{FRM}	500	mA
Non-Repetitive Peak Forward Surge Current	I _{FSM}	4.0 1.0 0.5	A
@ t = 1.0μs			
@ t = 1.0ms			
@ t = 1.0s			
Power Dissipation (Note 2)	P _d	250	mW
Thermal Resistance Junction to Ambient Air (Note 2)	R _{θJA}	500	°C/W
Operating and Storage Temperature Range	T _j , T _{STG}	-65 to +150	°C

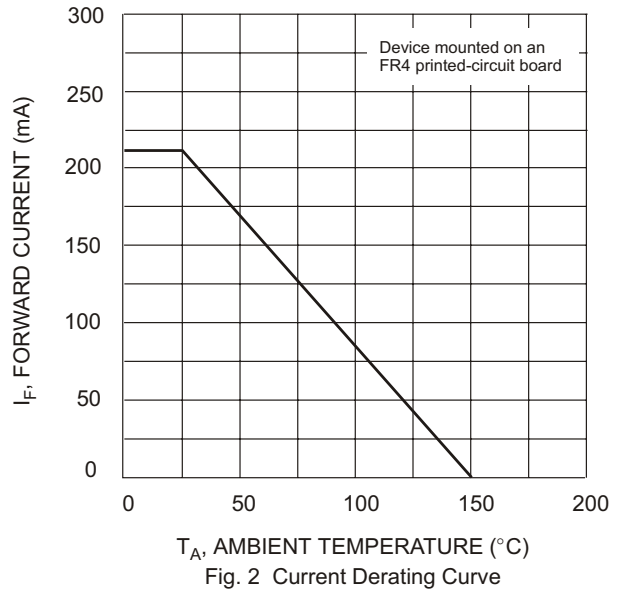
Electrical Characteristics @ T_A = 25°C unless otherwise specified

Characteristic	Symbol	Min	Typ	Max	Unit	Test Condition
Reverse Breakdown Voltage (Note 1)	V _{(BR)R}	130 130	— —	— —	V	I _R = 100μA I _R = 100μA, T _j = 125°C
Forward Voltage (Note 1)	V _{FM}	—	—	0.90 1.0 1.1 1.25 1.0	V	I _F = 1.0mA, T _j = 25°C I _F = 10mA, T _j = 25°C I _F = 50mA, T _j = 25°C I _F = 150mA, T _j = 25°C I _F = 10mA, T _j = 125°
Leakage Current (Note 1)	I _{RM}	—	—	5.0 80	nA nA	V _R = 75V, T _j = 25°C V _R = 75V, T _j = 125°C
Total Capacitance	C _T	—	2.4	5	pF	V _R = 0, f = 1.0MHz
Reverse Recovery Time	t _{rr}	—	—	3.0	μs	I _F = I _R = 10mA, I _{rr} = 0.1 x I _R , R _L = 100Ω

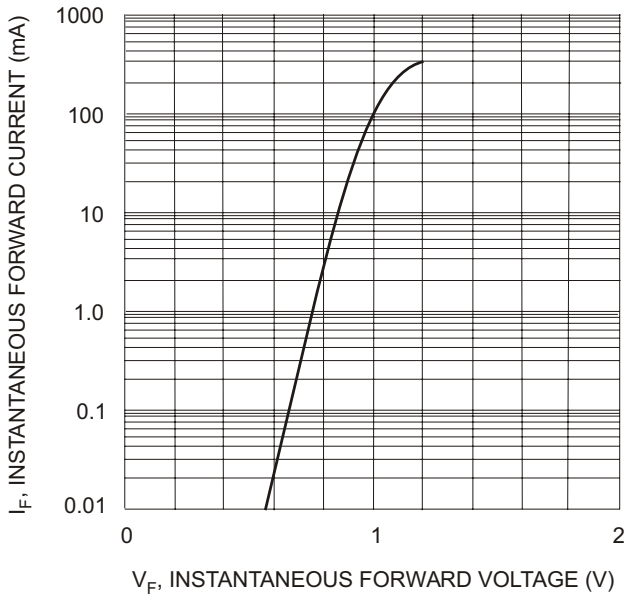
Notes: 1. Short duration pulse to minimize self-heating effect.
2. Part mounted on FR-4 PC board with recommended pad layout, which can be found on our website at <http://www.diodes.com/datasheets/ap02001.pdf>.



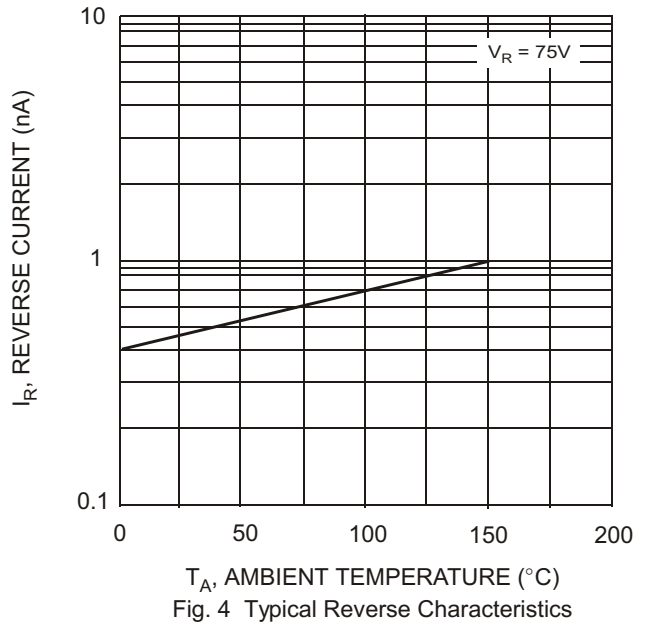
T_A, AMBIENT TEMPERATURE (°C)
Fig. 1 Power Derating Curve



T_A, AMBIENT TEMPERATURE (°C)
Fig. 2 Current Derating Curve



V_F, INSTANTANEOUS FORWARD VOLTAGE (V)
Fig. 3 Typical Forward Characteristics



T_A, AMBIENT TEMPERATURE (°C)
Fig. 4 Typical Reverse Characteristics

Ordering Information (Note 3)

Device	Packaging	Shipping
BAV116-7	SOD-123	3000/Tape & Reel

Notes: 3. For Packaging Details, go to our website at <http://www.diodes.com/datasheets/ap02007.pdf>.

Marking Information



XX = Product Type Marking Code
YM = Date Code Marking
Y = Year (ex: N = 2002)
M = Month (ex: 9 = September)

Date Code Key

Year	2000	2001	2002	2003	2004	2005
Code	L	M	N	P	R	S

Month	Jan	Feb	March	Apr	May	Jun	Jul	Aug	Sep	Oct	Nov	Dec
Code	1	2	3	4	5	6	7	8	9	O	N	D