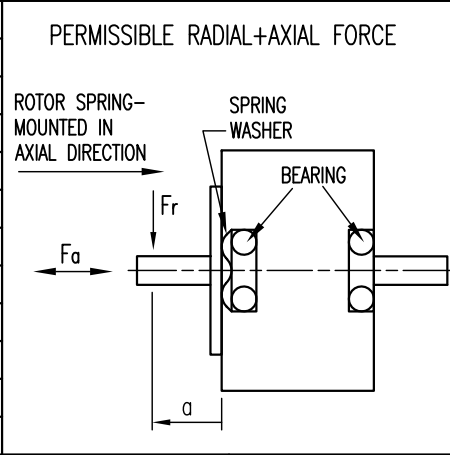


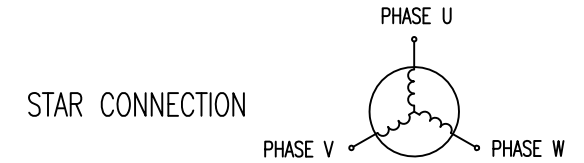
SPECIFICATION	CONNECTION	STAR
NO. OF POL./PHASE		16/3
VOLTAGE RATED (VDC)		24
NO LOAD CURRENT (A)		<0.3
CURRENT RATED/PEAK (A)		2.36/ 7.0
RESISTANCE/PHASE TO PHASE (Ohms) @20°C		0.8 \pm 10% \triangle
INDUCTANCE/PHASE TO PHASE (mH) @1KHz		0.33 \pm 20% \triangle
TORQUE RATED/PEAK (Nm) [lb-in]		0.084/0.25 [0.74/2.22]
TORQUE CONSTANT (Nm/A)		0.0335
POWER RATED (W)		50
SPEED RATED/NO LOAD (RPM)		5260/6700 \triangle
ROTOR INERTIA (Kg-m ²) [lb-in ²]		1.35x10 ⁻⁵ [0.046]
WEIGHT (Kg) [lb]		0.12 [0.26]



WIRING DIAGRAM

	FUNCTION	Dir. \longleftrightarrow					
MOTOR 16 POL.	U	X	HI	HI	X	LOW	LOW
	V	HI	X	LOW	LOW	X	HI
	W	LOW	LOW	X	HI	HI	X
HALL 48 IMPL. REV.	+5V						
	H1	0	0	0	1	1	1
	H2	0	1	1	1	0	0
	H3	1	1	0	0	0	1
GND							

TEMPERATURE RISE: MAX.80°C	AXIAL-FORCE F_a (N)	$F_a=10 \text{ max.}$	
AMBIENT TEMPERATURE $-20^\circ \sim 50^\circ \text{C}$ \triangle	DISTANCE a (mm)	10	
INSULATION RESISTANCE 100 MOhm (UNDER NORMAL TEMPERATURE AND HUMIDITY)	RADIAL-FORCE F_r (N)	28 max.	
INSULATION CLASS B 130° [266°F]		AXIAL	RADIAL
DIELECTRIC STRENGTH 500VAC FOR 1 MIN. (BETWEEN THE MOTOR COILS AND THE MOTOR CASE)	SHAFT PLAY (mm)	0.14	0.02
AMBIENT HUMIDITY MAX. 85% (NO CONDENSATION)	AT LOAD MAX: (N)	4	4



1	CHANGE AMBIENT TEMP.	16.01.15	J.D.	 Nanotec PLUG & DRIVE	SCALE FREE	APVD	G.S.	07.07.14	BRUSHLESS DC MOTOR DWG.NO DF45M024053-A2
C	UPDT. DATA	17.10.14	J.D.		X \pm 0.5	CHKD			
B	VALUE CHANGED	08.08.14	J.D.		1PL \pm 0.2	DRN	J.D.	07.07.14	
REV	DESCRIPTION	DATE	APVD		2PL \pm 0.1	SIGNATURE	DATE		
				DF45M024053-A2	ANGLE \pm 30'				