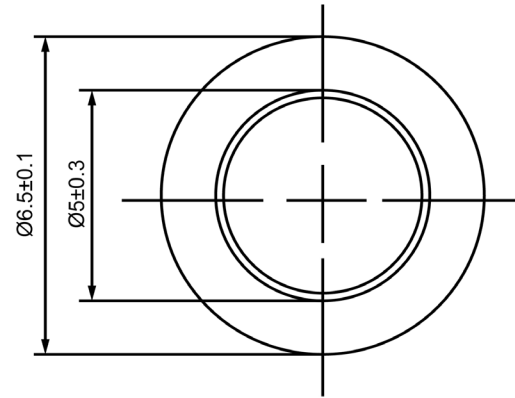
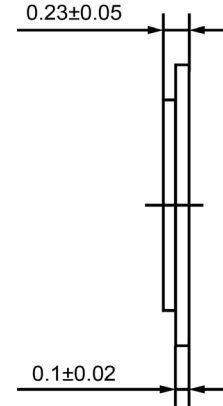


TOP VIEW



SIDE VIEW



Specifications			Notes	Revision History										
Description	Value	Unit		Version	Description	Date	Approved	Drawn by	Date	Checked by	Date	Approved by	Date	
Resonant Frequency	13,500	(Hz)	1) All dimensions are in mm unless otherwise noted 2) All parts meet RoHS	1	Released from Engineering	10/21/2013	J.S	A.B.	10/21/2013	C.E.	10/21/2013	J.S	10/21/2013	
Resonant Impedance (Max)	6,000	(Ohm)												
Max Input Voltage	30	(V)												
Capacitance	2,600	(pF)												
Plate Material	Brass													
Operating Temperature	- 20 ~ + 60	°C												
Storage Temperature	- 30 ~ + 70	°C												



Piezo Bender

P06135-1