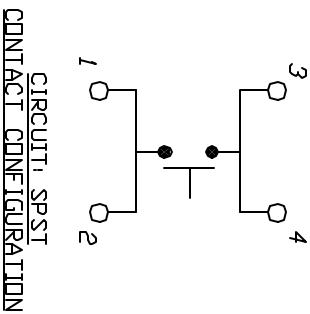
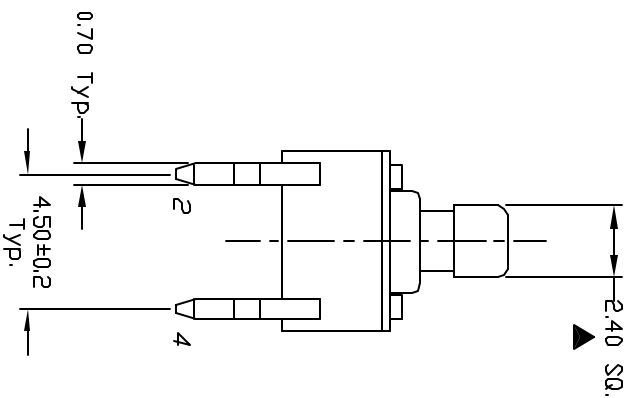
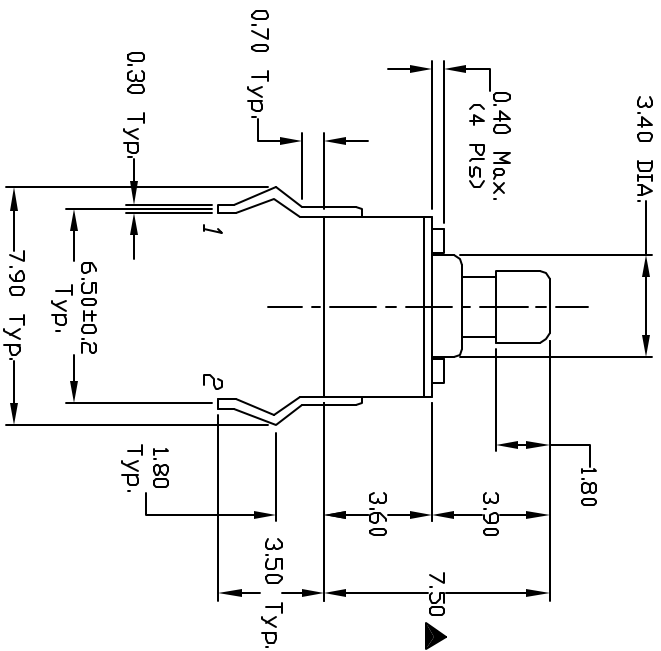


RECOMMEND P.C.B. LAYOUT

NOTES:

1. ALL DIMENSIONS IN MM
2. GENERAL TOLERANCE: 0.0=±0.4
0.00=±0.25
3. TERM. NOS. FOR REF. ONLY
4. RATING: 50mA, @12V DC
5. TRAVEL: 0.25±0.1mm
6. OPERATING FORCE: 100±50gf
7. CONTACT RESISTANCE: 100 milliohms Max.
8. ELECTRICAL LIFE: 100,000 CYCLES MIN.
9. DESIGNATE MAJOR DIMENSIONS
10. MATERIAL: HOUSING: NYLON 6/6 UL94-HB
STEM: BLK. PPS. UL94-V0



E-SWITCH®

TL 1105 T F100 Q

REV.	ECN No.	DESCRIPTION	DATE	CHKD
A	10518	RELEASED FOR PRODUCTION		

TITLE	SCALE	DATE	DR	DWG	REV
TL 1105 T F100 Q	4:1	2/1/00	MM	P010211	A

THE INFORMATION CONTAINED IN THIS DOCUMENT IS PROPRIETARY TO E-SWITCH AND IS NOT TO BE COPIED OR TRANSMITTED