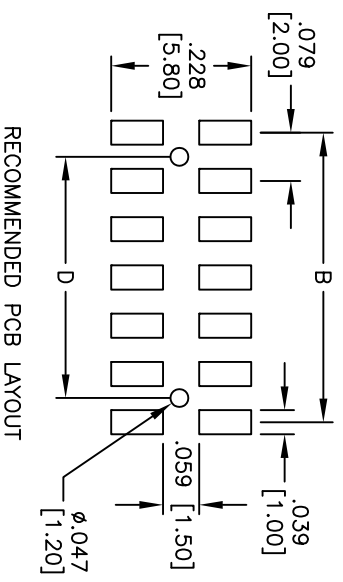
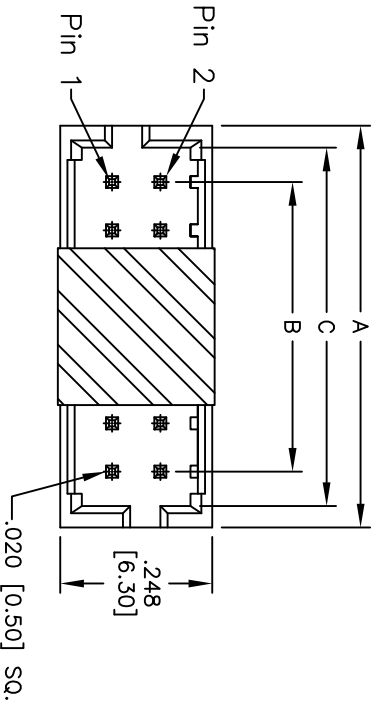
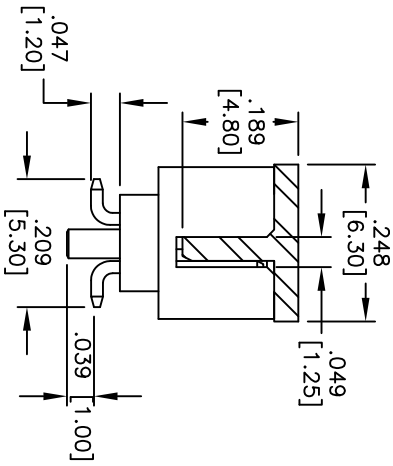
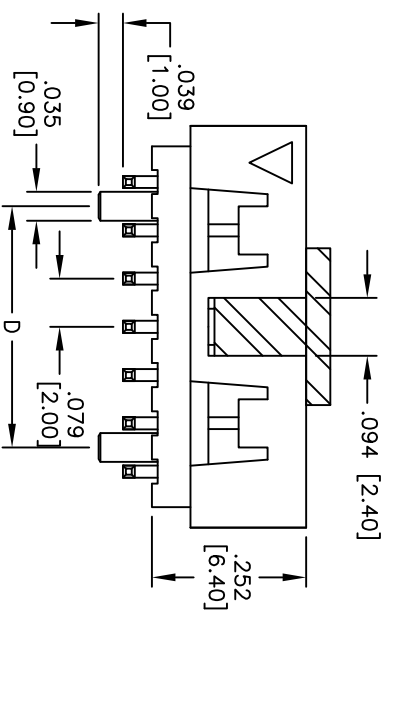


APPROVED: _____
 DATE: _____ TITLE: _____

Rev	AWO #	Description	Date	Appr
-		RELEASED	10/22/09	
A		ADDED PEG DIM.	10/26/09	



RECOMMENDED PCB LAYOUT



SPECIFICATIONS:
 Material: Insulator: Hi-Temp Nylon, rated UL 94V-0
 Insulator color: Black
 Contacts: Brass
 Plating: Gold Flash over Nickel underplate on mating area, Tin over Copper underplate on SMT tails

Electrical:
 Current rating: 1 Amp max.
 Contact resistance: 20 mohms max. initial
 Insulation resistance: 5,000 Mohms min.
 Dielectric withstanding voltage: 500 VAC for 1 minute
 Temperature Rating: Operating temperature: -55°C to +105°C
 Environmental: Lead free, RoHS compliant
 Recommended soldering temp: 260°C for 5 seconds

Positions: 14, 16, 20, 30, 44
 A = .079 [2.00] x No. Positions + .104 [2.65]
 B = .079 [2.00] x No. Spaces
 C = .079 [2.00] x No. Positions + .033 [0.85]
 D = .079 [2.00] x No. Positions - .157 [4.00]

UNLESS OTHERWISE SPECIFIED
 ALL DIMENSIONS ARE IN INCHES [MM]
 TOLERANCES: EXCEPT AS NOTED
 INCHES HOLES
 X ± .10 ØXX ± .10
 XX ± .020 ØXX ± .015
 XXX ± .015 ØXXX ± .010

ADAM TECH
 909 Railway Avenue, Union, NJ 07083
 Phone: 908-687-5000 Fax: 908-687-5710
 .079 [2.00] BOX HEADER, STRAIGHT,
 SEL GOLD PLATED, SURFACE MOUNT

APPROVALS	DATE	SIZE	PART NO.	REV.
DRAWN	DY	10/22/09	2MBHR-XX-VSG-SMT-P-PP	A
CHECKED				
APPROVED				

TITLE: SEL GOLD PLATED, SURFACE MOUNT
 REF: S00059T SCALE: NTS SHEET 1 OF 1