

NOTES:
 1. CAP MAY BE ROTATED OR REVERSED TO PERMIT COMPLETE CABLE RANGE TO BE TAKEN EITHER IN LINE OR 90° TO STUD.

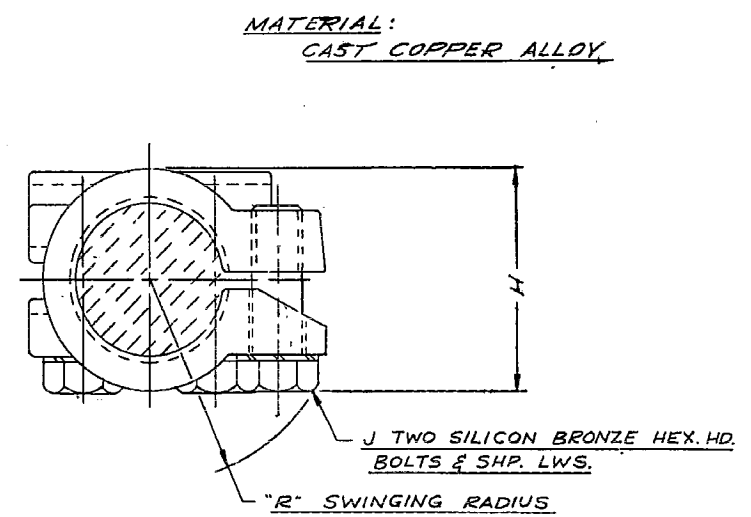
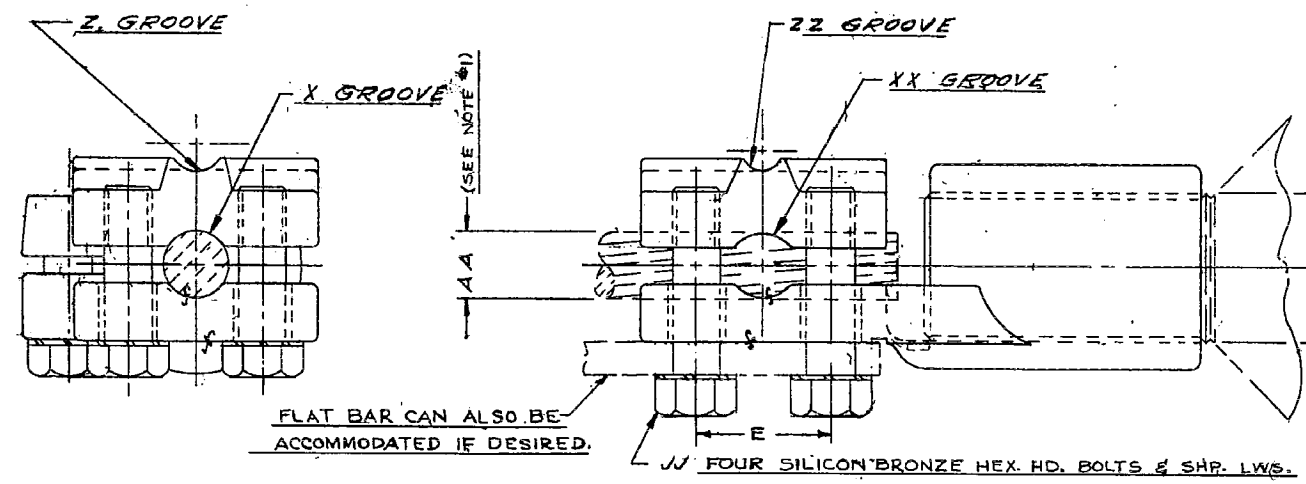
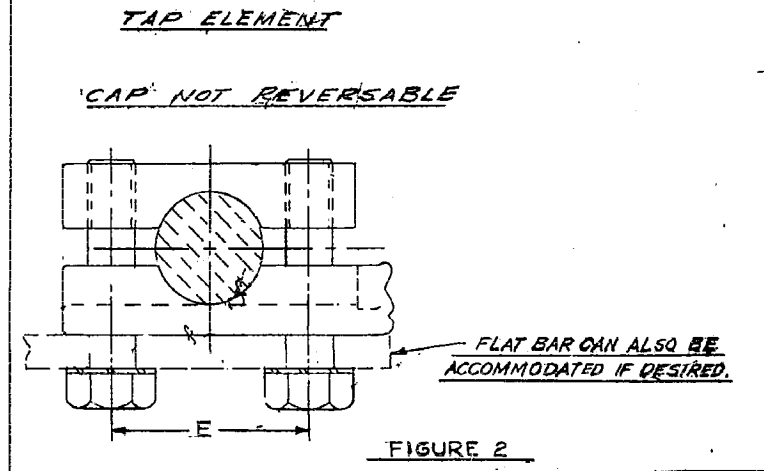
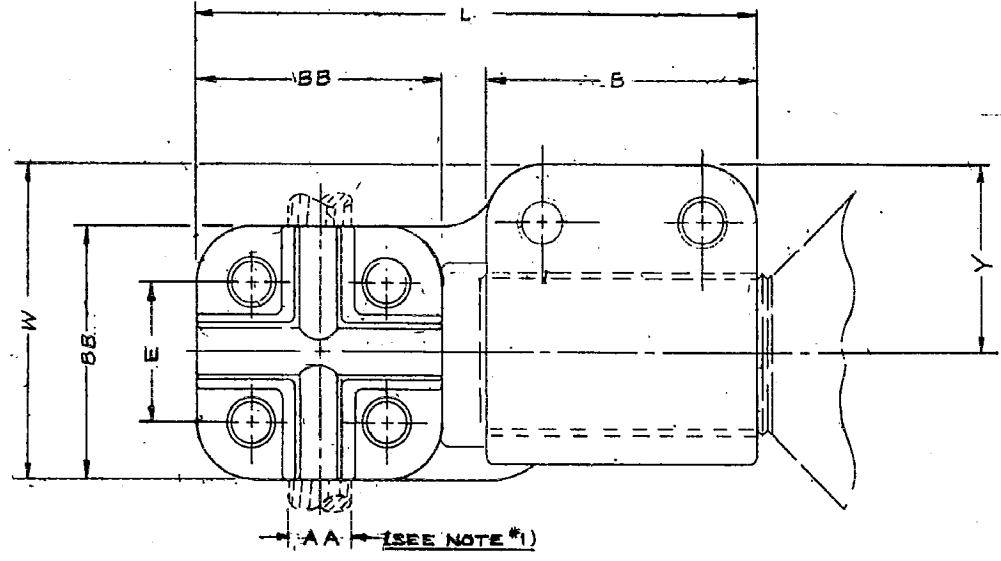


FIGURE 1

A COPPER STUD	COMPLETE CONDUCTOR RANGE SEE NOTE #1		COPPER IPS RANGE		"X" GROOVE		"XX" GROOVE		Z GROOVE		ZZ GROOVE		CATALOG NUMBER	FIG. NO.	B	BB	H	J	JJ	L	R	W	Y	E	REF. DWG.
	AA COPPER CABLE COMPLETE RANGE SEE NOTE 1																								
	MIN.	MAX.	MIN.	MAX.	MIN.	MAX.	MIN.	MAX.	MIN.	MAX.	MIN.	MAX.													
1/2-13	6 SOL.	4/0 STR.	—	—	6 SOL.	1 STR.	2/0 SOL.	4/0 STR.	—	—	—	—	NDR6328T13	2	1.53	1.82	1.74	3/8-16	3/8-16	3.60	1.22	1.82	.94	1.06	FC31959
3/4-16	6 SOL.	4/0 STR.	—	—	6 SOL.	1 STR.	2/0 SOL.	4/0 STR.	—	—	—	—	NDR6428T16	2	1.53	1.82	1.74	3/8-16	3/8-16	3.60	1.22	2.00	1.07	1.06	FC31957
3/4-16	6 SOL.	500 MCM	3/8	1/2	250 MCM	350 MCM	400 MCM	500 MCM	6 SOL.	2 STR.	1/0 SOL.	4/0 STR.	NDR6434T16	1	1.53	2.19	2.24	3/8-16	3/8-16	4.09	1.47	2.19	1.07	1.44	FC31956
1"-14	6 SOL.	4/0 STR.	—	—	6 SOL.	1 STR.	2/0 SOL.	4/0 STR.	—	—	—	—	NDR6528T14	2	1.53	1.82	1.74	3/8-16	3/8-16	4.09	1.38	2.19	1.19	1.06	FD31358
1"-14	6 SOL.	500 MCM	3/8	1/2	250 MCM	350 MCM	400 MCM	500 MCM	6 SOL.	2 STR.	1/0 SOL.	4/0 STR.	NDR6534T14	1	1.53	2.19	2.24	3/8-16	3/8-16	3.96	1.45	2.28	1.19	1.44	FD31955
1 1/8-12	6 SOL.	4/0 STR.	—	—	6 SOL.	1 STR.	2/0 SOL.	4/0 STR.	—	—	—	—	NDR65528T12	2	1.53	1.82	1.74	3/8-16	3/8-16	4.12	1.46	2.25	1.25	1.06	FD31954
1 1/8-12	6 SOL.	500 MCM	3/8	1/2	250 MCM	350 MCM	400 MCM	500 MCM	6 SOL.	2 STR.	1/0 SOL.	4/0 STR.	NDR65534T12	1	1.53	2.19	2.24	3/8-16	3/8-16	3.97	1.50	2.38	1.25	1.44	FD31953
1 1/8-12	2 SOL.	1000 MCM	3/8	3/4	550 MCM	700 MCM	750 MCM	1000 MCM	2 SOL.	250 MCM	300 MCM	500 MCM	NDR65544T12	1	1.53	2.88	2.82	3/8-16	1/2-13	4.66	1.94	2.88	1.25	1.88	FD31952
1 1/2-12	6 SOL.	4/0 STR.	—	—	6 SOL.	1 STR.	2/0 SOL.	4/0 STR.	—	—	—	—	NDR6728T12	2	2.09	1.82	2.24	1/2-13	3/8-16	4.75	1.88	2.62	1.62	1.06	FD31951
1 1/2-12	6 SOL.	500 MCM	3/8	1/2	250 MCM	350 MCM	400 MCM	500 MCM	6 SOL.	2 STR.	1/0 SOL.	4/0 STR.	NDR6734T12	1	2.09	2.17	2.82	1/2-13	3/8-16	4.94	1.96	2.75	1.62	1.44	FD31950
1 1/2-12	2 SOL.	1000 MCM	3/8	3/4	550 MCM	700 MCM	750 MCM	1000 MCM	2 SOL.	250 MCM	300 MCM	500 MCM	NDR6744T12	1	2.09	2.53	2.82	1/2-13	1/2-13	5.10	1.96	3.00	1.62	1.75	FD54215
1 1/2-12	4/0 STR.	2000 MCM	3/8	1 1/4	1250 MCM	1600 MCM	1700 MCM	2000 MCM	4/0 STR.	600 MCM	650 MCM	1200 MCM	NDR6748T12	1	2.03	3.38	3.25	1/2-13	1/2-13	5.73	2.28	3.38	1.66	2.38	FD31948
3/4-16	2 SOL.	1000 MCM	3/8	3/4	550 MCM	700 MCM	750 MCM	1000 MCM	2 SOL.	250 MCM	300 MCM	500 MCM	NDR6444T16	1	1.53	2.88	2.82	3/8-16	1/2-13	4.66	1.92	2.88	1.07	1.38	FD32906
1"-14	2 SOL.	1000 MCM	3/8	3/4	550 MCM	700 MCM	750 MCM	1000 MCM	2 SOL.	250 MCM	300 MCM	500 MCM	NDR6544T14	1	1.53	2.88	2.82	3/8-16	1/2-13	4.73	2.00	2.88	1.19	1.88	FD33790
1 1/4-12	2 SOL.	1000 MCM	3/8	3/4	550 MCM	700 MCM	750 MCM	1000 MCM	2 SOL.	250 MCM	300 MCM	500 MCM	NDR6644T12	1	1.53	2.88	2.82	3/8-16	1/2-13	4.66	2.00	2.88	1.30	1.88	FD33877
1 1/8	4/0 STR.	2000 MCM	3/8	1 1/4	1250 MCM	1600 MCM	1700 MCM	2000 MCM	4/0 STR.	600 MCM	650 MCM	1200 MCM	NDR65548T0	1	1.53	3.38	3.34	3/8-16	1/2-13	5.34	2.28	3.38	1.25	2.38	—
7/8-14	6 SOL.	500 MCM	3/8	1/2	250 MCM	350 MCM	400 MCM	500 MCM	6 SOL.	2 STR.	1/0 SOL.	4/0 STR.	NDR64534T14	1	1.53	2.19	1.91	3/8-16	3/8-16	4.16	1.41	2.28	1.19	1.44	—
2-12	2 SOL.	1000 MCM	3/8	3/4	550 MCM	700 MCM	750 MCM	1000 MCM	2 SOL.	250 MCM	300 MCM	500 MCM	NDR6844T12	1	2.03	2.88	2.88	1/2-13	1/2-13	6.12	2.12	3.32	1.88	1.88	—
2-12	4/0 STR.	2000 MCM	3/8	1 1/4	1250 MCM	1600 MCM	1700 MCM	2000 MCM	4/0 STR.	600 MCM	650 MCM	1200 MCM	NDR6848T12	1	2.03	3.38	2.82	1/2-13	1/2-13	6.56	2.25	3.59	1.88	2.38	LD45085
1 3/4-12	4/0 STR.	2000 MCM	3/8	1 1/4	1250 MCM	1600 MCM	1700 MCM	2000 MCM	4/0 STR.	600 MCM	650 MCM	1200 MCM	NDR67548T12	1	2.03	3.38	2.51	1/2-13	1/2-13	6.56	2.28	3.44	1.75	2.38	LD85923
1 1/4-12	4/0 STR.	2000 MCM	3/8	1 1/4	1250 MCM	1600 MCM	1700 MCM	2000 MCM	4/0 STR.	600 MCM	650 MCM	1200 MCM	NDR6648T12	1	1.53	3.38	2.82	3/8-16	1/2-13	5.16	2.00	3.38	1.30	2.38	—

REV.	DATE	REVISION DESCRIPTION	BY	CHKD.
20	12-77	5.171 TWO ADDS (2035171)	CAR	JPS
19	7-11-68	NDR6648T12 ADDED MK. (9701-274)	PJM	JFS
18	3-19-66	SEE REV. REF. PRINT (DC3529)	CAR	JHB
17	8-5-65	NDR 675 48T12 ADDED MK. (Q252-577)	JPS	JTM
16	7-1-65	REV. REF. PRINT MK. (SUP. FC31404)	JPS	MJM
15	4-19-65	REV. REF. PRINT MK. GH. (EC31404)	JL	MJM
14	4-6-65	REPRODUCED WITHOUT CHANGE	JAA	RED

STUD CONNECTOR

CAT. NO. NDR - (TABLE)

SCALE

DRAWN 9-15-54 E.R.D. CHECKED A.K.K. 9-15-54

BURNDY Corporation

NORWALK, CONNECT.

DRAWING NO. SD31476

REV. 2

SHEET 1 OF 2

11-23-70 JHT 2 AFFECTED (D.O. 51623) JEL MKP

SUPERSEDES DWG. SD31476-13