



AC Input 4-Pin Phototransistor Optocoupler

Features

- High isolation 5000 VRMS
- CTR flexibility available see order information
- DC input with transistor output
- External Creepage $\geq 7.5\text{mm}$ (S/SL Type)
- External Creepage $\geq 8.0\text{mm}$ (SLM Type)
- Operating Temperature range - 55 °C to 110 °C
- Regulatory Approvals
 - UL - UL1577 (E364000)
 - VDE - EN60747-5-5(VDE0884-5)
 - CQC – GB4943.1, GB8898
 - IEC60065, IEC60950

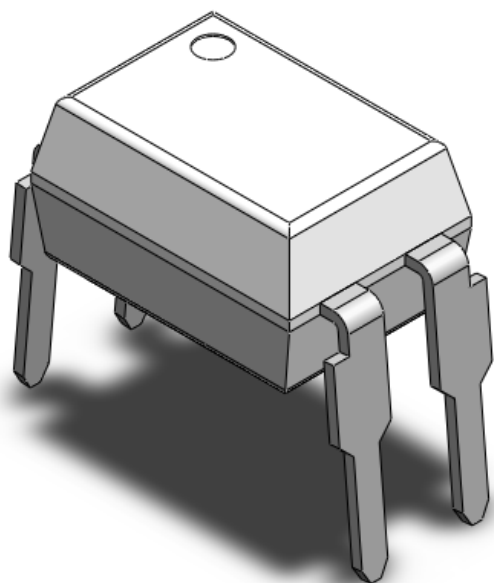
Description

The CT814 series consists of a phototransistor optically coupled to two gallium arsenide Infrared-emitting diode, connected in inverse parallel, in a 4-lead DIP package with bending options.

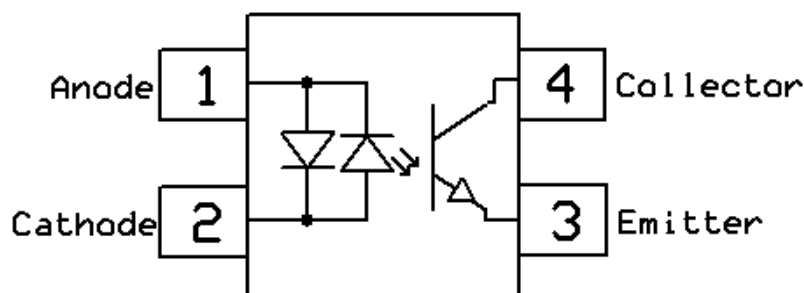
Applications

- Switch mode power supplies
- Computer peripheral interface
- Microprocessor system interface

Package Outline



Schematic



**Absolute Maximum Rating at 25°C**

| Symbol | Parameters | Ratings | Units | Notes |
|-----------------------|--|----------------|------------------|--------------|
| V _{ISO} | Isolation voltage | 5000 | V _{RMS} | |
| P _{TOT} | Total power dissipation | 200 | mW | |
| T _{OPR} | Operating temperature | -55 ~ +110 | °C | |
| T _{STG} | Storage temperature | -55 ~ +150 | °C | |
| T _{SOL} | Soldering temperature | 260 | °C | |
| Emitter | | | | |
| I _F | Forward current | ±60 | mA | |
| I _{F(TRANS)} | Peak transient current (≤1μs P.W,300pps) | 1 | A | |
| P _D | Emitter power dissipation | 100 | mW | |
| Detector | | | | |
| P _D | Detector power dissipation | 150 | mW | |
| B _{VCEO} | Collector-Emitter Breakdown Voltage | 80 | V | |
| B _{VECO} | Emitter-Collector Breakdown Voltage | 6 | V | |
| I _C | Collector Current | 50 | mA | |

**Electrical Characteristics** $T_A = 25^\circ\text{C}$ (unless otherwise specified)**Emitter Characteristics**

| Symbol | Parameters | Test Conditions | Min | Typ | Max | Units | Notes |
|----------|-------------------|-------------------------|-----|------|-----|-------|-------|
| V_F | Forward voltage | $I_F = \pm 10\text{mA}$ | - | 1.24 | 1.4 | V | |
| C_{IN} | Input Capacitance | $f = 1\text{MHz}$ | - | 30 | - | pF | |

Detector Characteristics

| Symbol | Parameters | Test Conditions | Min | Typ | Max | Units | Notes |
|---------------|--------------------------------|---|-----|-----|-----|-------|-------|
| $B_{V_{CEO}}$ | Collector-Emitter Breakdown | $I_C = 100\mu\text{A}$ | 80 | - | - | V | |
| $B_{V_{ECO}}$ | Emitter-Collector Breakdown | $I_E = 100\mu\text{A}$ | 6 | - | - | V | |
| I_{CEO} | Collector-Emitter Dark Current | $V_{CE} = 20\text{V}, I_F = 0\text{mA}$ | - | - | 100 | nA | |

Transfer Characteristics

| Symbol | Parameters | Test Conditions | Min | Typ | Max | Units | Notes | |
|---------------|--------------------------------------|--|--------------------|------|-----|----------|-------|--|
| CTR | Current Transfer Ratio | $I_F = \pm 1\text{mA}, V_{CE} = 5\text{V}$ | CT814 | 20 | - | 300 | % | |
| | | | CT814A | 50 | - | 150 | | |
| | | | CT814B | 100 | - | 300 | | |
| | CTR Symmetry | $I_F = \pm 1\text{mA}, V_{CE} = 5\text{V}$ | 0.7 | - | 1.3 | | | |
| $V_{CE(SAT)}$ | Collector-Emitter Saturation Voltage | $I_F = \pm 20\text{mA}, I_C = 1\text{mA}$ | - | 0.04 | 0.2 | V | | |
| R_{IO} | Isolation Resistance | $V_{IO} = 500\text{V}_{DC}$ | 5×10^{10} | - | - | Ω | | |
| C_{IO} | Isolation Capacitance | $f = 1\text{MHz}$ | - | 0.5 | 1 | pF | | |

Switching Characteristics

| Symbol | Parameters | Test Conditions | Min | Typ | Max | Units | Notes |
|--------|------------|---|-----|-----|-----|---------------|-------|
| t_r | Rise Time | $I_C = 2\text{mA}, V_{CE} = 2\text{V}, R_L = 100$ | - | 6 | - | μs | |
| t_f | Fall Time | | - | 8 | - | | |



Typical Characteristic Curves

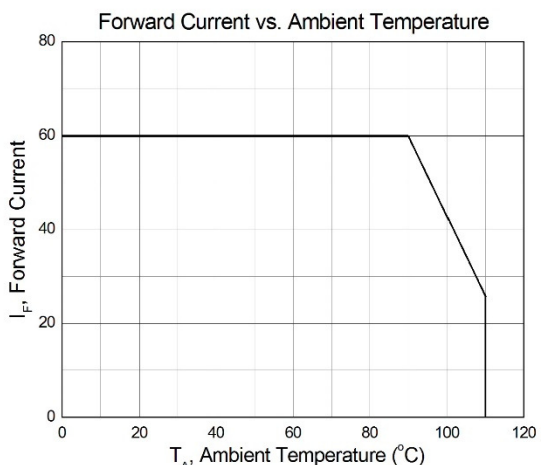


Figure 1

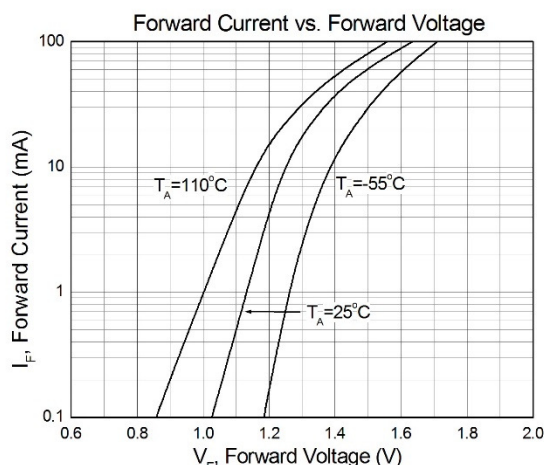


Figure 2

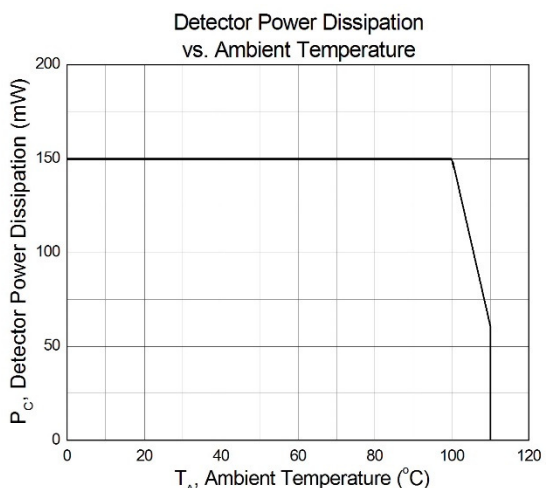


Figure 3

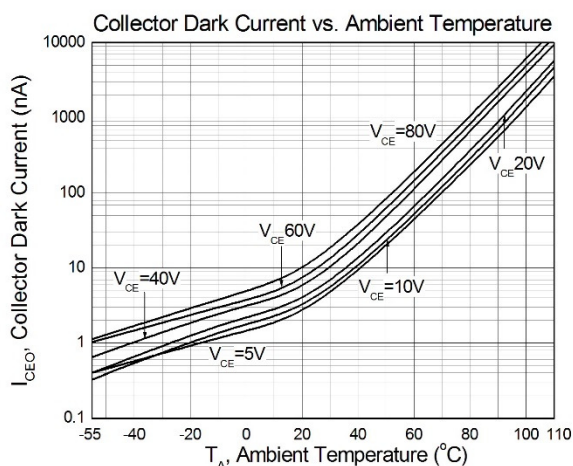


Figure 4

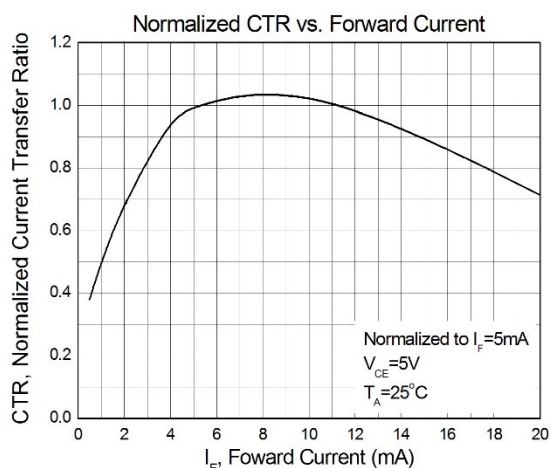


Figure 5

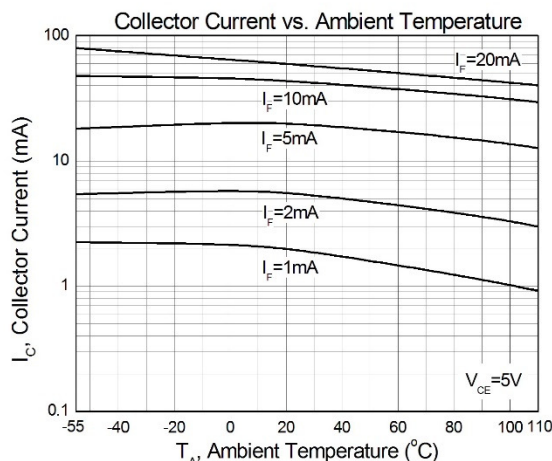


Figure 6

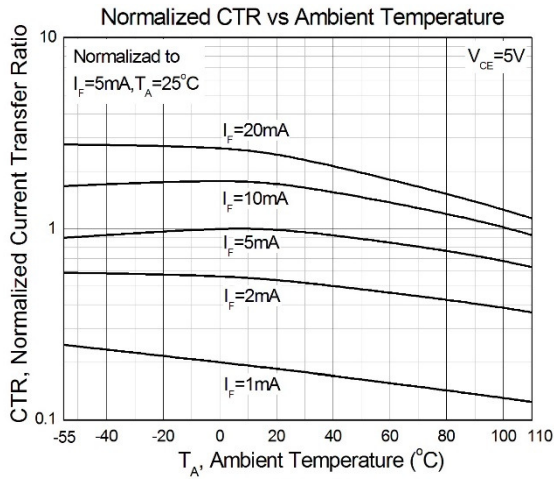


Figure 7

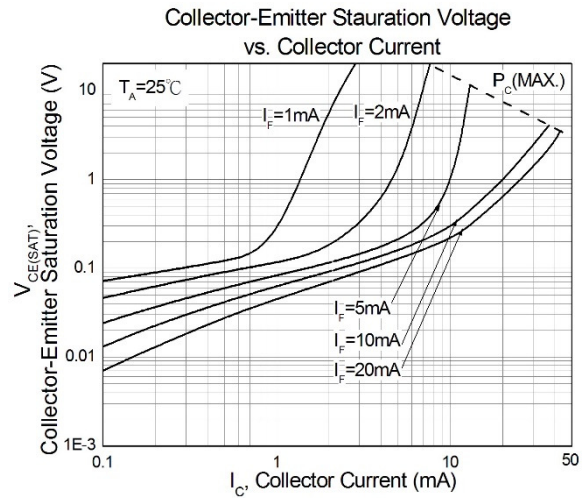


Figure 8

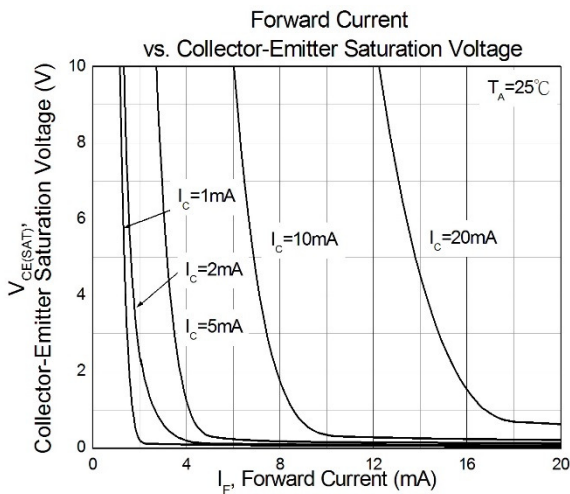


Figure 9

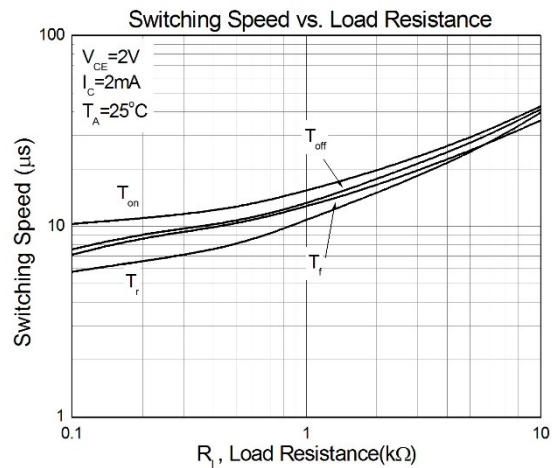


Figure 10

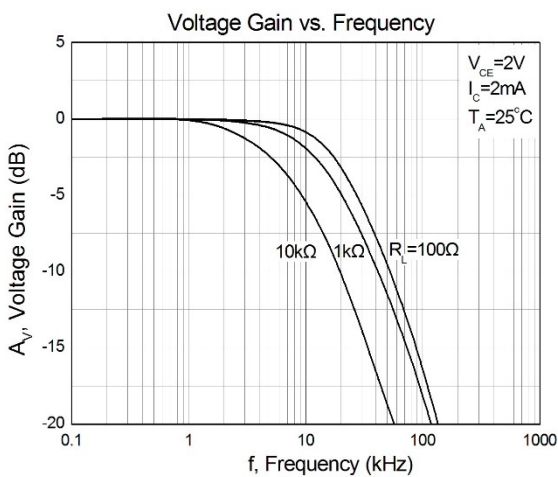
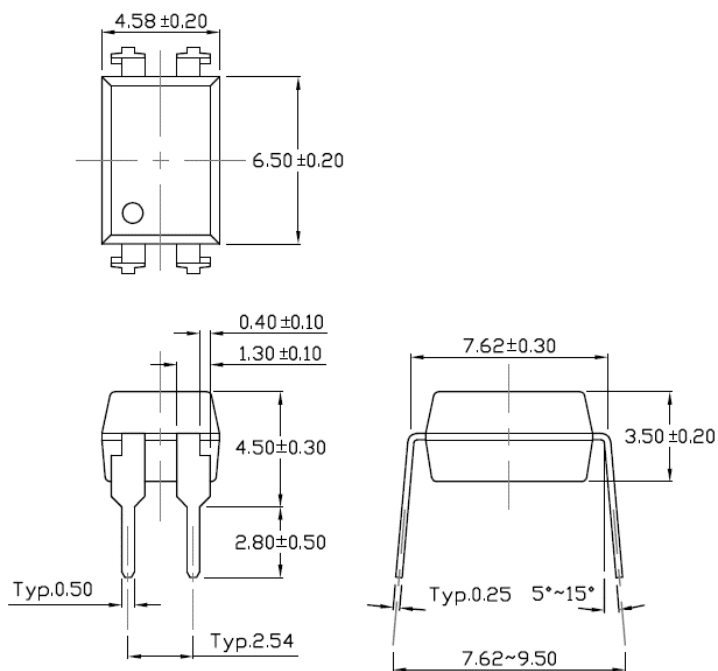


Figure 11

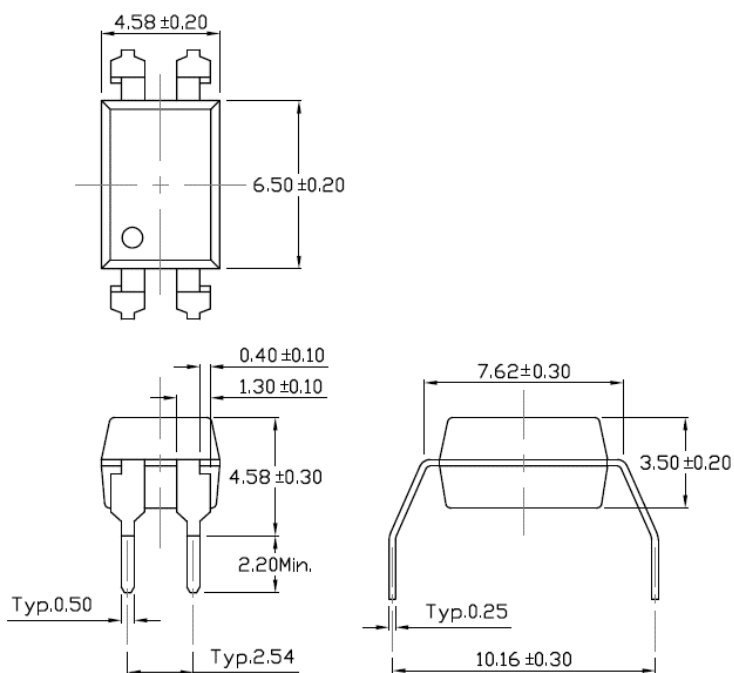


Package Dimension *Dimensions in mm unless otherwise stated*

Standard DIP – Through Hole

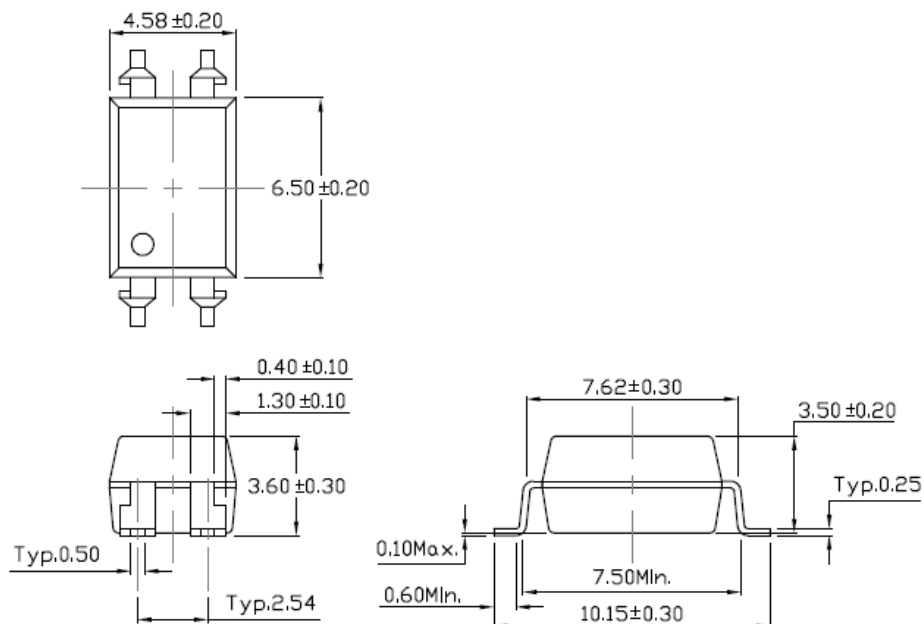


Gullwing (400mil) Lead Forming – Through Hole (M Type)

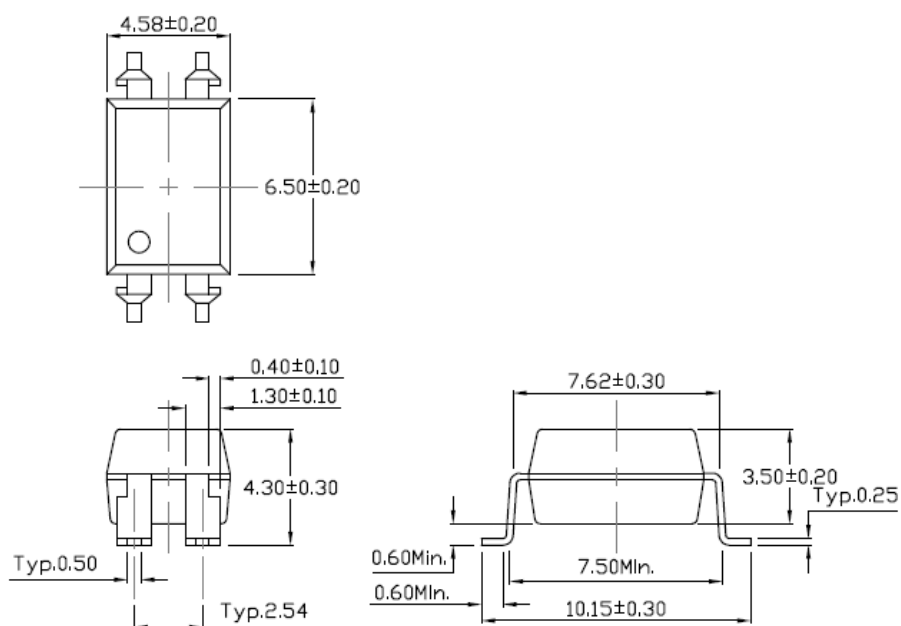




Surface Mount Lead Forming (S Type)

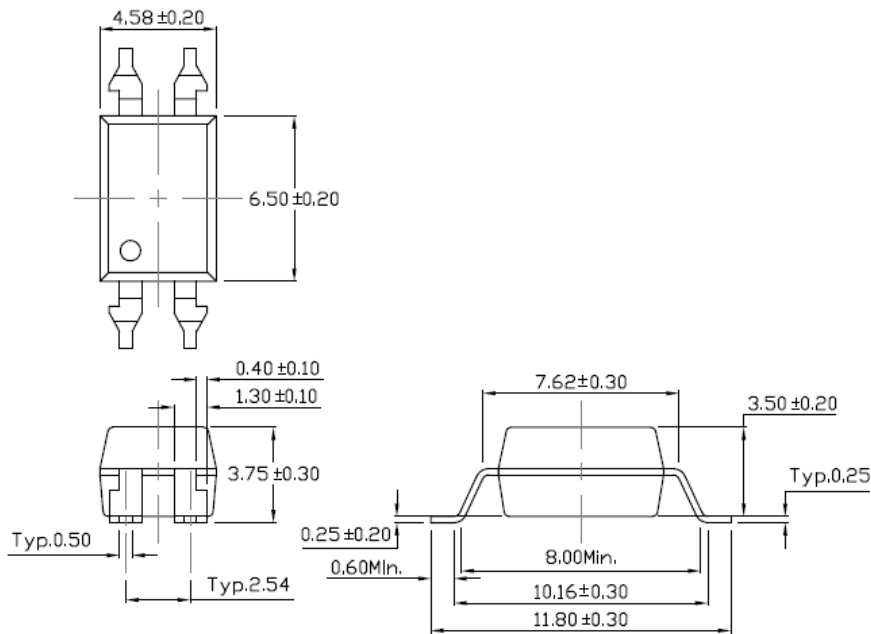


Surface Mount (Low Profile) Lead Forming (SL Type)





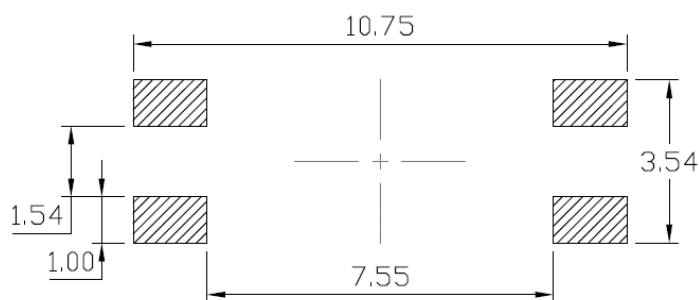
Surface Mount (Gullwing) Lead Forming (SLM Type)



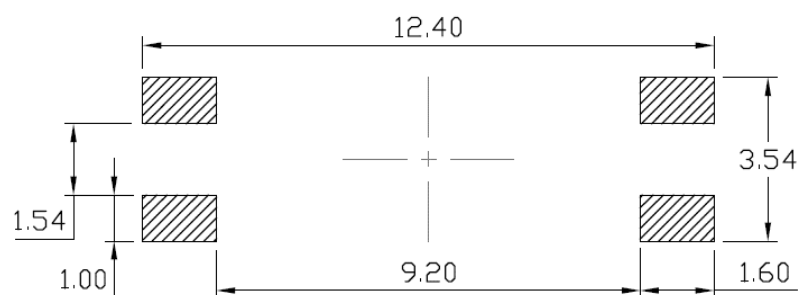


Recommended Solder Mask *Dimensions in mm unless otherwise stated*

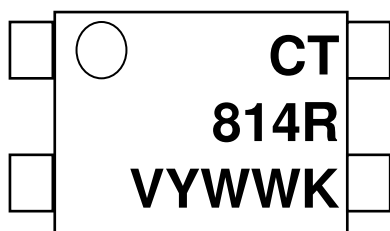
Surface Mount Lead Forming & Surface Mount (Low Profile) Lead Forming



Surface Mount (Gullwing) Lead Forming



Marking Information



Note:

- CT : Denotes "CT Micro"
- 814 : Part Number
- R : CTR Rank
- V : VDE Option
- Y : Fiscal Year
- WW : Work Week
- K : Manufacturing Code



Ordering Information**CT814X(V)(Y)(Z)-G**

X = Part No. (X=A, B or None)

V = VDE Option (V or None)

Y = Lead form option (S, SL, M, SLM or none)

Z = Tape and reel option (T1, T2, T3, T4 or none)

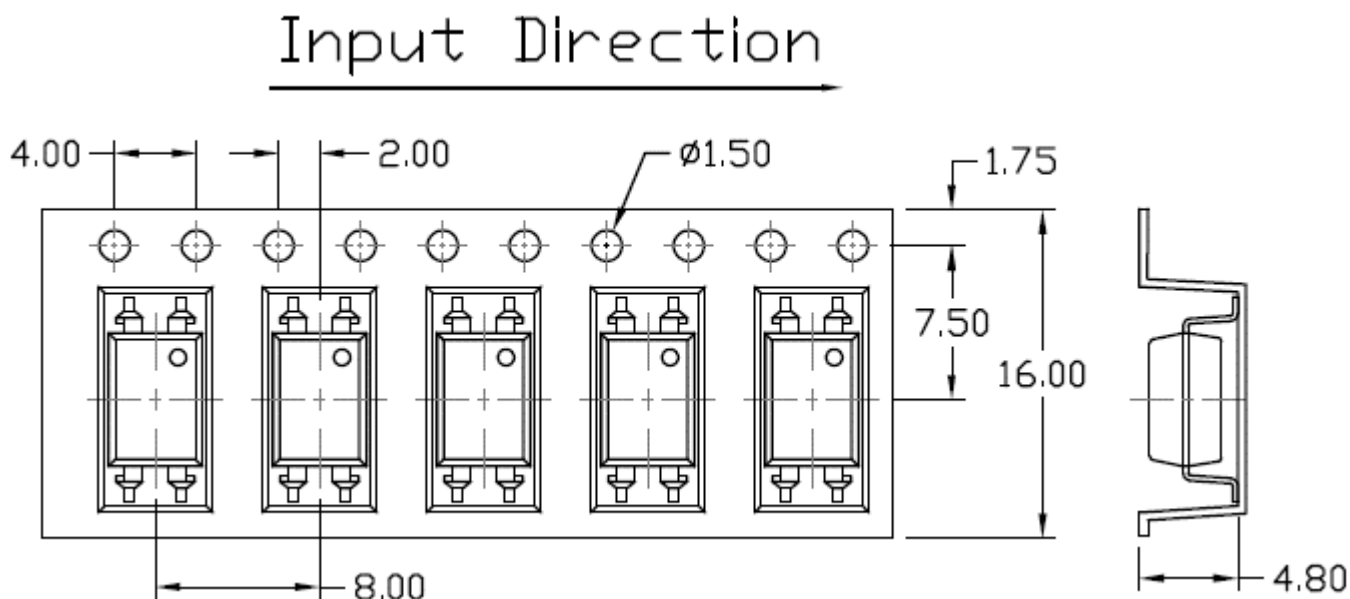
G= Material option (G: Green, None: Non-green)

| Option | Description | Quantity |
|---------------|---|-----------------|
| None | Standard 4 Pin DIP | 100 Units/Tube |
| M | Gullwing (400mil) Lead Forming | 100 Units/Tube |
| S(T1) | Surface Mount Lead Forming – With Option 1 Taping | 1500 Units/Reel |
| S(T2) | Surface Mount Lead Forming – With Option 2 Taping | 1500 Units/Reel |
| S(T3) | Surface Mount Lead Forming – With Option 3 Taping | 1000 Units/Reel |
| S(T4) | Surface Mount Lead Forming – With Option 4 Taping | 1000 Units/Reel |
| SL(T1) | Surface Mount (Low Profile) Lead Forming– With Option 1 Taping | 1500 Units/Reel |
| SL(T2) | Surface Mount (Low Profile) Lead Forming – With Option 2 Taping | 1500 Units/Reel |
| SL(T3) | Surface Mount (Low Profile) Lead Forming– With Option 3 Taping | 1000 Units/Reel |
| SL(T4) | Surface Mount (Low Profile) Lead Forming – With Option 4 Taping | 1000 Units/Reel |
| SLM(T1) | Surface Mount (Gullwing) Lead Forming– With Option 1 Taping | 1500 Units/Reel |
| SLM(T2) | Surface Mount (Gullwing) Lead Forming – With Option 2 Taping | 1500 Units/Reel |

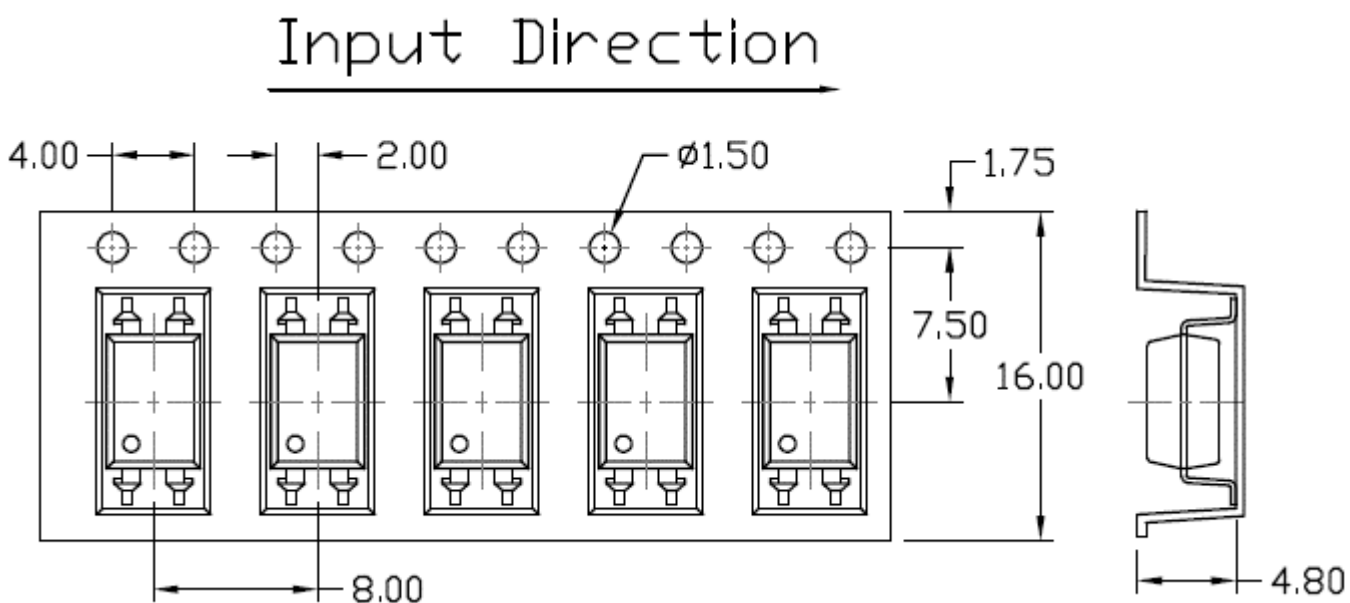


Carrier Tape Specifications *Dimensions in mm unless otherwise stated*

Option S(T1) & SL(T1)



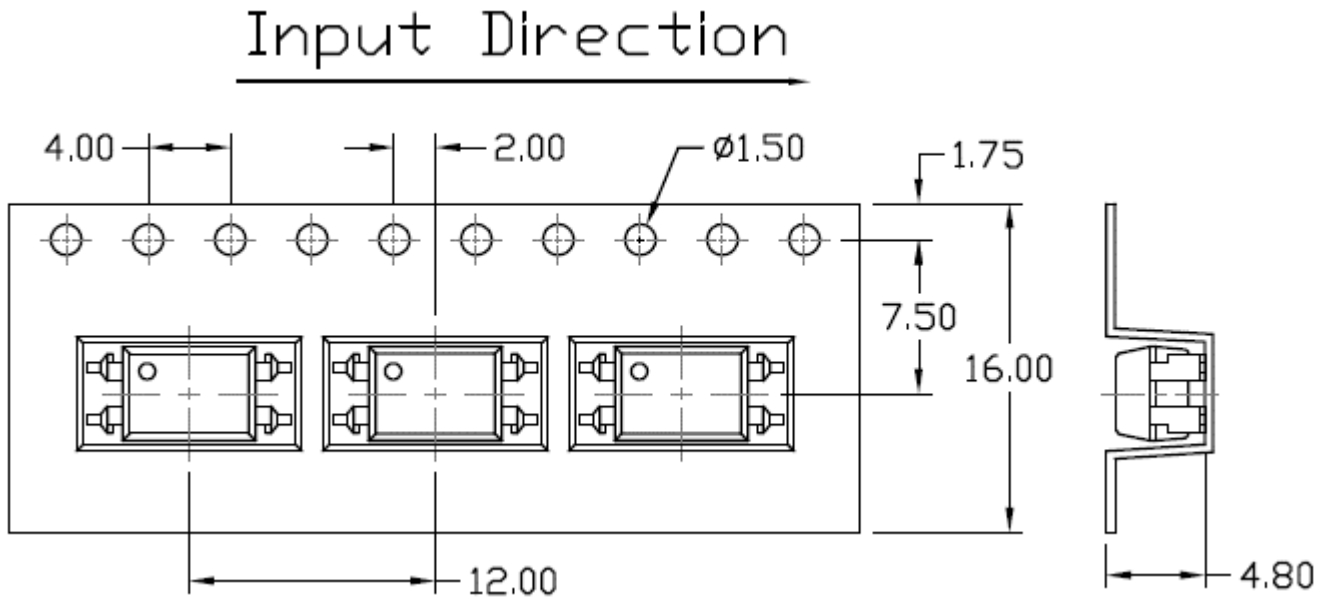
Option S(T2) & SL(T2)



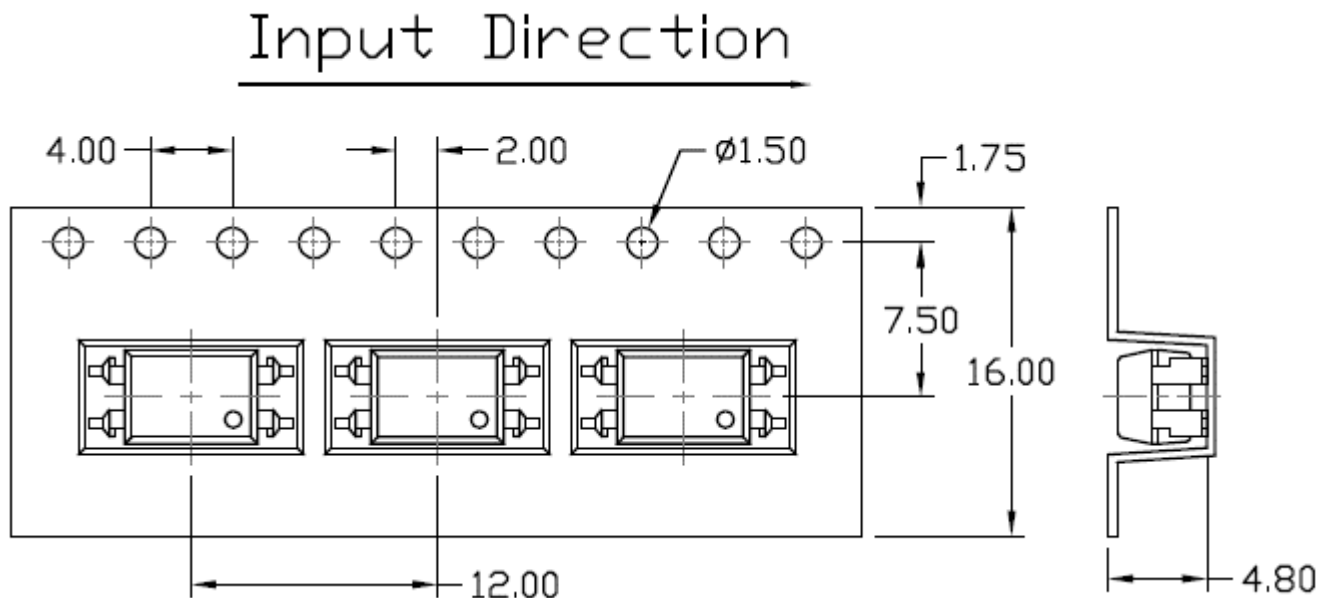


AC Input 4-Pin Phototransistor Optocoupler

Option S(T3) & SL(T3)



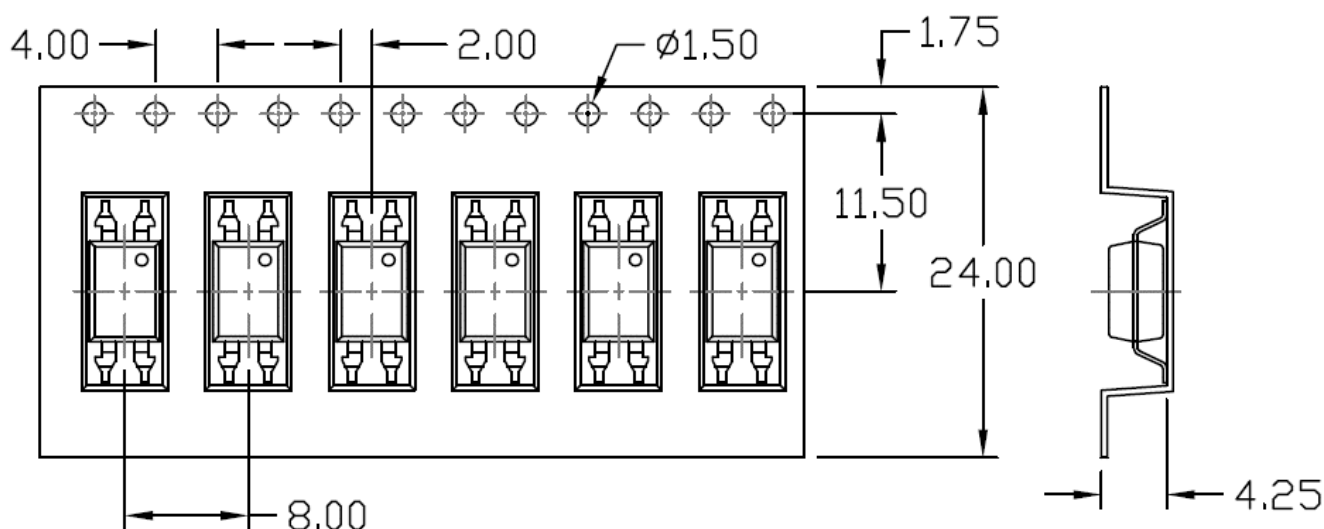
Option S(T4) & SL(T4)





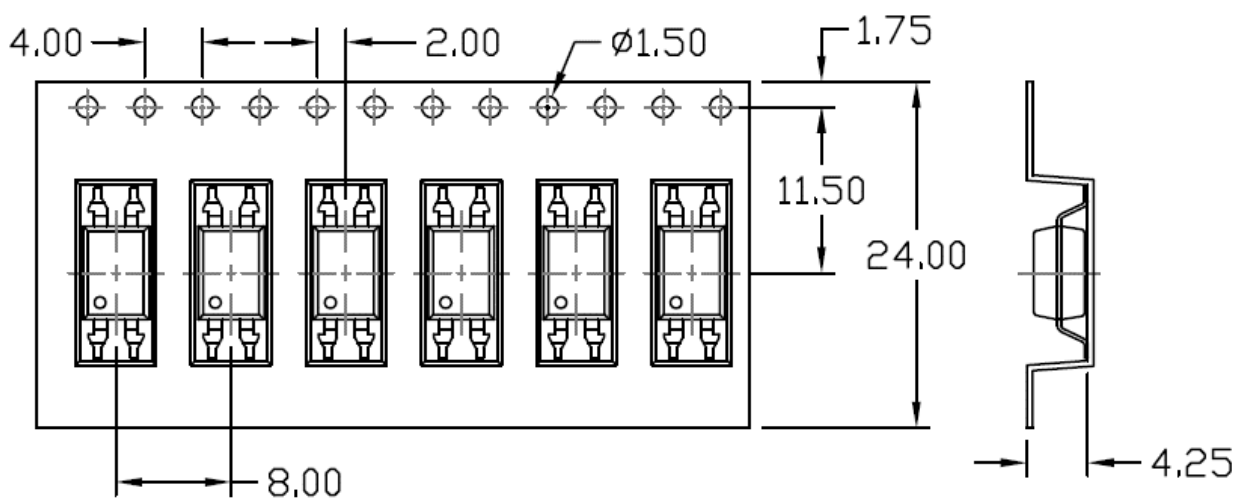
Option SLM(T1)

Input Direction
→



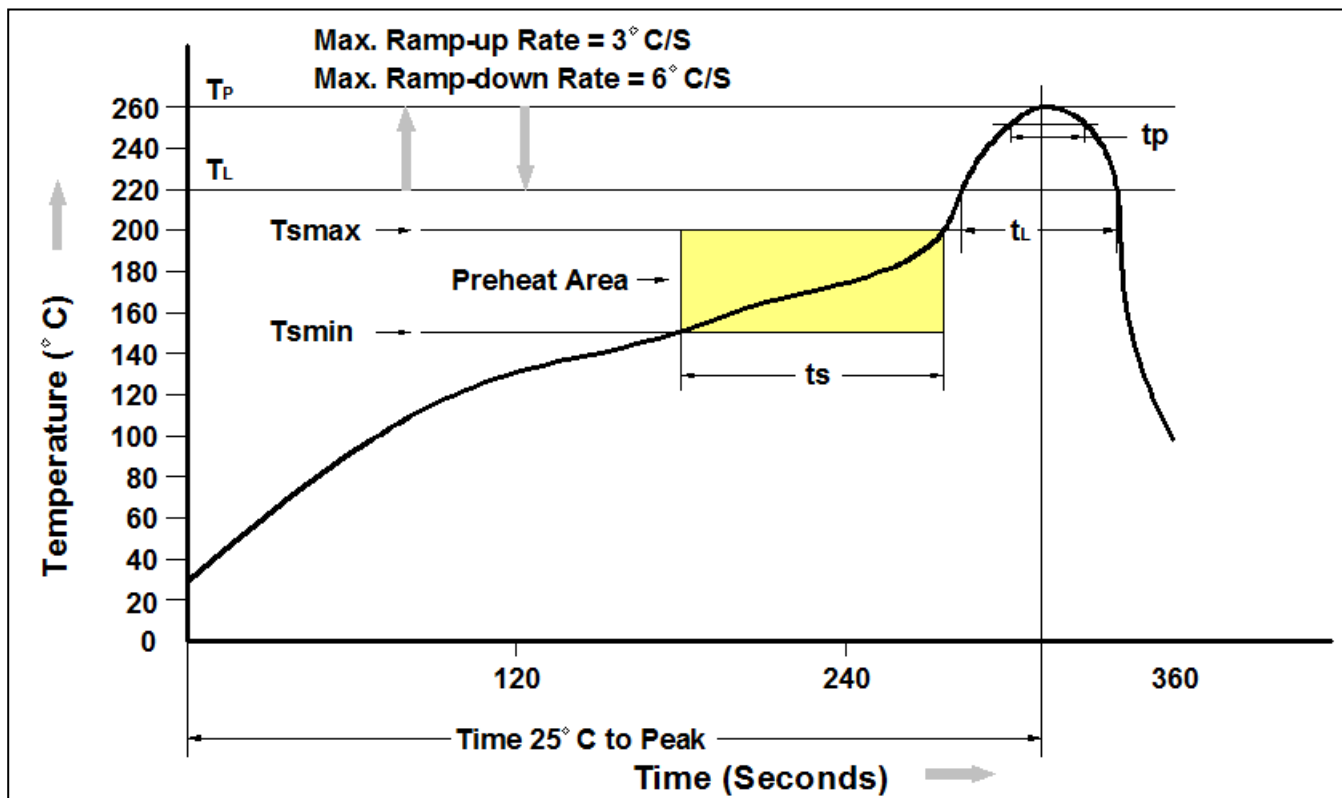
Option SLM(T2)

Input Direction
→





Reflow Profile



| Profile Feature | Pb-Free Assembly Profile |
|---|--------------------------|
| Temperature Min. (Tsmin) | 150 °C |
| Temperature Max. (Tsmax) | 200 °C |
| Time (ts) from (Tsmin to Tsmax) | 60-120 seconds |
| Ramp-up Rate (t _L to t _P) | 3 °C/second max. |
| Liquidous Temperature (T _L) | 217 °C |
| Time (t _L) Maintained Above (T _L) | 60 – 150 seconds |
| Peak Body Package Temperature | 260 °C +0 °C / -5 °C |
| Time (t _P) within 5 °C of 260 °C | 30 seconds |
| Ramp-down Rate (T _P to T _L) | 6 °C/second max |
| Time 25 °C to Peak Temperature | 8 minutes max. |



DISCLAIMER

CT MICRO RESERVES THE RIGHT TO MAKE CHANGES WITHOUT FURTHER NOTICE TO ANY PRODUCTS HEREIN TO IMPROVE RELIABILITY, FUNCTION OR DESIGN. CT MICRO DOES NOT ASSUME ANY LIABILITY ARISING OUT OF THE APPLICATION OR USE OF ANY PRODUCT OR CIRCUIT DESCRIBED HEREIN; NEITHER DOES IT CONVEY ANY LICENSE UNDER ITS PATENT RIGHTS, NOR THE RIGHTS OF OTHERS.

DISCOLORATION MIGHT OCCUR ON THE PACKAGE SURFACE AFTER SOLDERING, REFLOW OR LONG TERM USE. THIS DOES NOT IMPACT THE PRODUCT PERFORMANCE NOR THE PRODUCT RELIABILITY.

CT MICRO ARE NOT AUTHORIZED FOR USE AS CRITICAL COMPONENTS IN LIFE SUPPORT DEVICES OR SYSTEMS WITHOUT EXPRESS WRITTEN APPROVAL OF CT MICRO INTERNATIONAL CORPORATION.

- 1. Life support devices or systems are devices or systems which, (a) are intended for surgical implant into the body, or (b) support or sustain life, or (c) whose failure to perform when properly used in accordance with instruction for use provided in the labelling, can be reasonably expected to result in significant injury to the user.*
- 2. A critical component is any component of a life support device or system whose failure to perform can be reasonably expected to cause the failure of the life support device or system, or to affect its safety or effectiveness.*