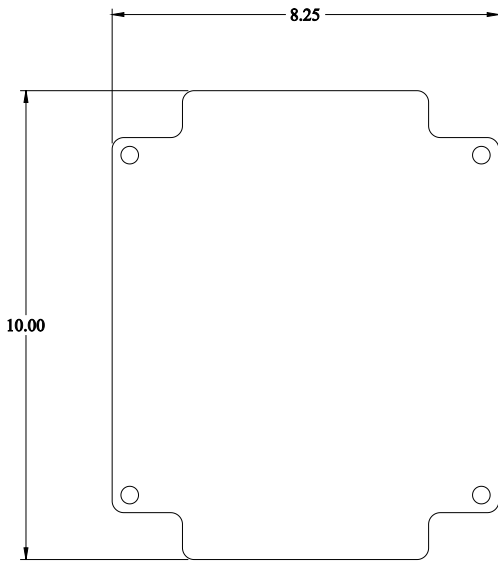


# PART No. ECPP1212

for more information visit  
[www.hammfg.com](http://www.hammfg.com)

Data subject to change without notice

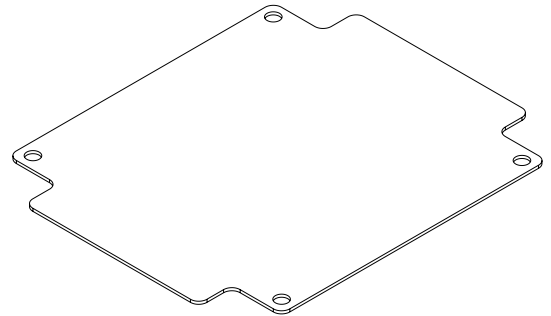
Isometric drawing Not to Scale



FRONT VIEW



SIDE VIEW



ISOMETRIC VIEW