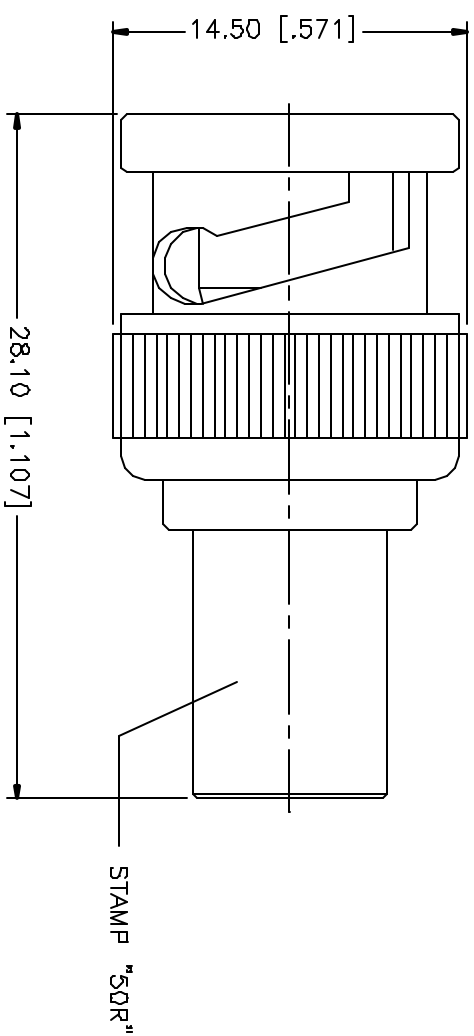


REV.	DATE	DESCRIPTION
A	05/23/05	UPDATE DRAWING FORMAT



NO.	DESCRIPTION	MATERIAL	FINISH	QTY	DD NOT SCALE DRAWING	APPROVALS	DATE	PART DESCRIPTION	DWG. NO.	REV.	SITE	SCALE
B								Amphenol Connex BNC TERMINATOR PLUG - 50ohm 202103	202103.DWG	A	A	NA
7												
6												
5												
4												
3	CONTACT PIN	BRASS	GOLD	1								
2	INSULATOR BODY	DELRIN BRASS	NATURAL NICKEL	1								
1	DESCRIPTION	MATERIAL	FINISH	QTY								

ALL DIMENSIONS SHOWN UNLESS OTHERWISE SPECIFIED ARE IN MILLIMETERS AND DECIMALS THEREOF. DIMENSIONS FOR MILLIMETERS ARE 0.5 - 30mm ± 0.20mm 30 - 120mm ± 0.40mm 120 - 150mm ± 0.50mm

ALL DIMENSIONS SHOWN UNLESS OTHERWISE SPECIFIED ARE IN INCHES AND DECIMALS THEREOF. DIMENSIONS FOR INCHES ARE .020 - .315 ± 0.007 .315 - 1.180 ± 0.015 1.180 - 4.724 ± 0.020

APPROVALS
 DRAWN G.R.S. 05/23/05
 CHECKED
 ISSUED
 SHEET 1 OF 1

DD NOT SCALE DRAWING
 CAD FILE C:/202/202103.DWG
 DWG. NO. 202103.DWG
 REV. A
 SITE A
 SCALE NA