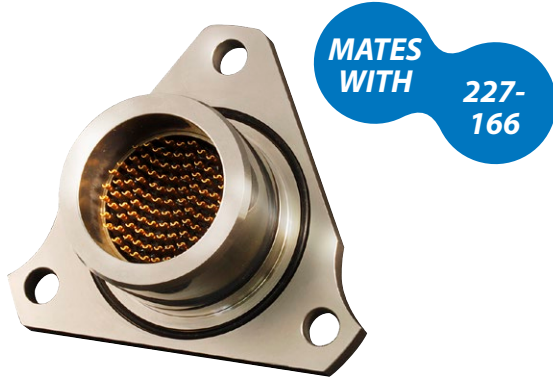
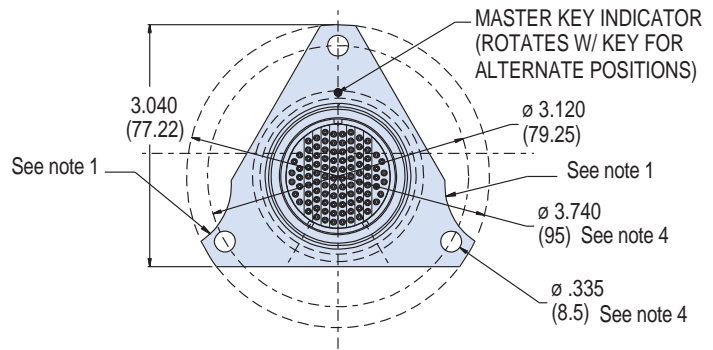
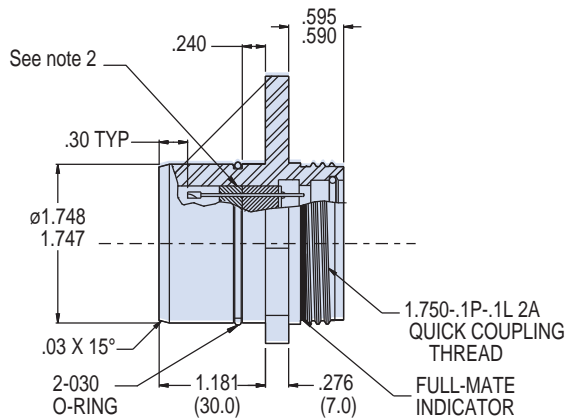


227-162H Hermetic Receptacle with Triangular Flange Mount

RECEPTACLE CONNECTOR WITH SPECIAL TRIANGULAR FLANGE



How To Order					
Sample Part Number	227-162H	24	-100	P	N
Series - Shell Style	227-162H				
Shell size	24				
Insert Arrangement Dash No.	-100				
Contact Syle	P = Pin				
Polarization	N, 1, 2, 3 or 4				



Notes

1. Clearance for 1 inch hex socket wrench.
2. Prepot with epoxy.
3. Mates with glenair 227-166 plug connector.
4. Dimensions per V0GEE0017A, Rev. B.
5. Assembly to be identified with manufacturer's name, part number and date code.
6. Performance capabilities:
Current rating:
 - 4 power contacts - 2.0 Amps @ 660 vac, continuous
 - 96 Signal contacts- 1.5 Amps @ 200VDC max., continuous DWV and IR:
 - DWV- 1500 vac between pin to pin and pins to shell.
 - Insulation resistance- 100 megohms min @ 1000/250VDC pin to pin and pins to shell
 Pressure and hermeticity:

- Hydrostatic pressure rating: - 5800 PSI, open face, in both directions.
 - hermeticity - 1×10^{-6} ccHe/sec @ 1 atm. diff.
- NOTE: electrical safety limits to be set by user. Peak voltages, switching surges, transients, etc. Should be used to determine safe application of product. Glenair is not liable if the voltage and current exceed the limit set forth.

7. Material/finish:
 - Shell- 316L/passivate
 - Contacts- 52 ni alloy/gold plated
 - Insulator- full glass with epoxy backfill/n.a.
 - Interfacial and o-ring seals- nitrile/n.a.

NOTE: unless otherwise stated