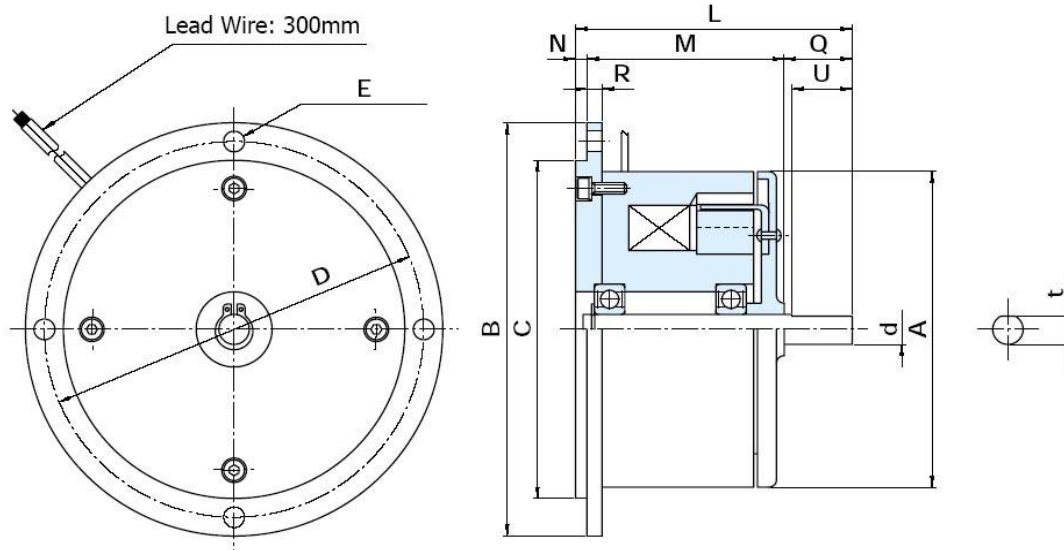


HB

EM Hysteresis Brake

Types: 1.2, 2.5, 5, 10

[EM: Electromagnet]



HB		1.2	2.5	5	10
Rated Torque [in-lbs / N-m]		1.1 / 0.12	2.2 / 0.25	4.4 / 0.5	8.9 / 1
Coil (20°C)	Voltage [DC-V]	24			
	Current [A]	0.3	0.43	0.56	0.76
	Resistance [Ω]	78.9	55.7	43	31.6
	Wattage [W]	7.5	10	13	18
	Time Constant [ms]	55	80	100	175
Torque Decay (20%) Time [ms]		10	10	12	15
Max Slip Rate [W]		27	34	40	59
Max Allowable Speed [rpm]		3000	3000	3000	3000
Moment of Inertia (J) [kg-cm ²]		0.25	0.425	0.8	2.55
Shaft [mm]	dh7	6	7	8	10
	t	5.5	6.5	7.5	9.5
Dimensions [mm]	A	60	70	84	112
	B	86	98	110	136
	Ch7	66	78	90	112
	D	76	88	100	124
	E	4x5.5	4x5.5	4x5.5	6x5.5
	L	58	63	73	80
	M	42	45	52	55
	N	2	2	3	3
	Q	14	16	18	22
	R	4	4	4	5
U	12	14	16	20	
Weight [lbs / kg]		1.9 / 0.9	2.6 / 1.2	5.1 / 2.3	7.9 / 3.6

[1" = 25.4mm]