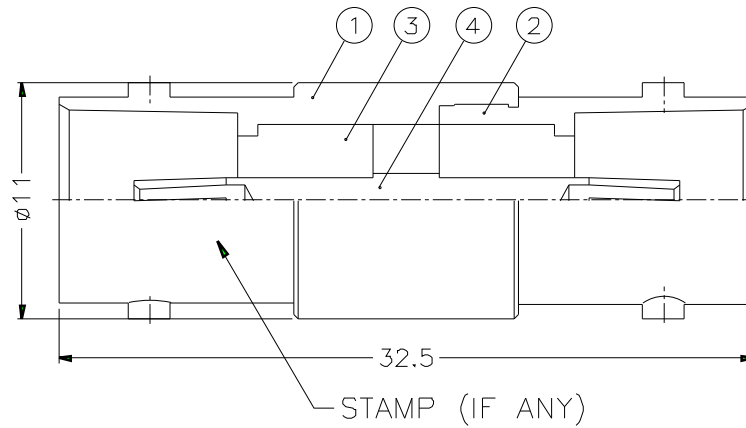


| | | | | | | | | | | | | | | | | | | | | | | | |
|-----------|------|------------------------------|---|--|--|---|--|--|---|--|--|---|--|--|---|--|--|---|--|--|---|--|--|
| 1 | | | 2 | | | 3 | | | 4 | | | 5 | | | 6 | | | 7 | | | 8 | | |
| REVISIONS | | | | | | | | | | | | | | | | | | | | | | | |
| ISS | ZONE | DESCRIPTION\PER REQUEST\DATE | | | | | | | | | | | | | | | | | | | | | |
| | | | | | | | | | | | | | | | | | | | | | | | |



NOTES: FINISH (PLATING THICKNESS IN MICRO-INCHES)
 1. BRASS PER QQ-B-626
 2. NICKEL PL. 100 MIN. THICK OVER COPPER STRIKE
 3. PHOSPHOR BRONZE PER QQ-B-750
 4. GOLD PL. 3 MIN. THICK OVER NICKEL PL. 100 MIN. THICK OVER COPPER STRIKE

| | | | |
|---------------------------------------|---|------|--|
| DIMENSIONS ARE IN MILLIMETERS | | | |
| UNLESS OTHERWISE SPECIFIED TOLERANCES | | | |
| 0.5-6 | = | ±0.2 | |
| 6-30 | = | ±0.4 | |
| 30-120 | = | ±0.6 | |
| 120-315 | = | ±1 | |
| 315-1000 | = | ±1.6 | |
| 1000-2000 | = | ±2.4 | |

| | | | | | |
|-----|-------------|----------|---------|------|--------------|
| 4 | CONTACT PIN | NOTE 3 | NOTE 4 | 1 | B7900-4 |
| 3 | INSULATOR | DELTRIN | NATURAL | 2 | B7996ZZ-3-75 |
| 2 | BODY | NOTE 1 | NOTE 2 | 1 | B74000-2 |
| 1 | HOUSING | NOTE 1 | NOTE 2 | 1 | B7900-1 |
| NO. | DESCRIPTION | MATERIAL | FINISH | Q'TY | DRAWING NO. |

| | | |
|----------|-----------------|-----------|
| PART NO. | B7071A1-ND3G-75 | |
| APPROVED | DATE | 10-11-01' |
| CHECKED | DATE | 10-11-01' |
| DRAWN | DATE | 10-11-01' |

| | |
|-----------------|------------------------------|
| Amphenol | |
| TITLE | BNC FEMALE TO FEMALE ADAPTOR |
| DRAWING NO. | KJ-B7071A1-ND3G-75 |
| ITEM NO. | |

| | | | | | | | | | | |
|-----|-------------|----------|--------|------|-------------|-------|-----|-------|---|----------|
| NO. | DESCRIPTION | MATERIAL | FINISH | Q'TY | DRAWING NO. | SCALE | 3/1 | ISSUE | A | FILE NO. |
|-----|-------------|----------|--------|------|-------------|-------|-----|-------|---|----------|