

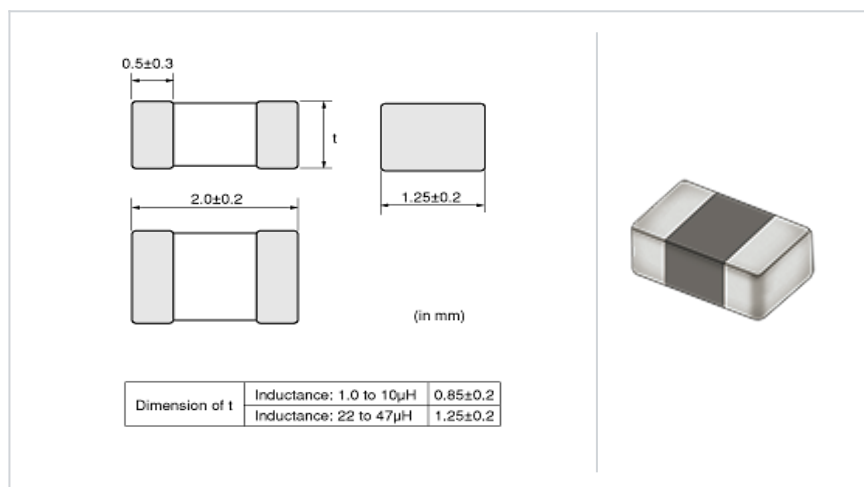
LQM21DN1R0N00#

"#" indicates a package specification code.



< List of part numbers with package codes >
 LQM21DN1R0N00D , LQM21DN1R0N00J , LQM21DN1R0N00B

Shape



L size	2.0 ± 0.2mm
W size	1.25 ± 0.2mm
T size	0.85 ± 0.2mm
Size code in inch (mm)	0805 (2012)

Specifications

Inductance	1.0μH ± 30%
Inductance test frequency	1MHz
Rated current (I _{sat}) (Based on Inductance change)	60mA
Rated current (I _{temp}) (Based on Temperature rise)	60mA
Max. of DC resistance	0.10
Self resonance frequency (min.)	75MHz
Operating temperature range (Self-temperature rise is not included)	-40 ~ 85
Class of magnetic shield	Magnetic shield of ferrite

References

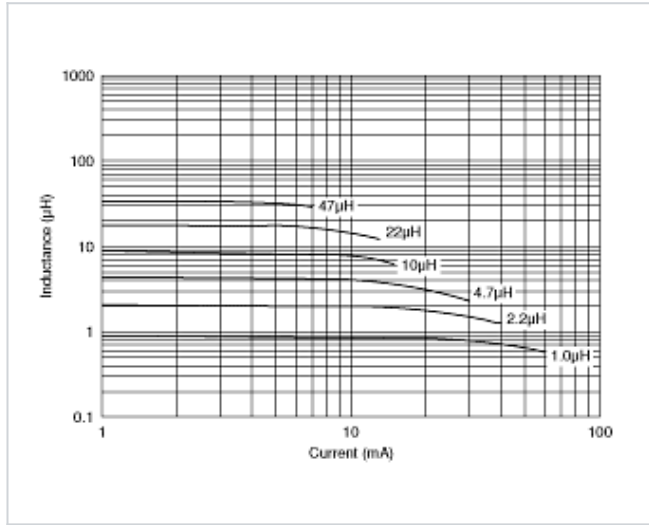
Packaging code	Specifications	Minimum quantity
D	180mm Paper taping	4000
J	330mm Paper taping	10000
B	Packing in bulk	1000

Mass (Typ.)	
1 piece	0.010g

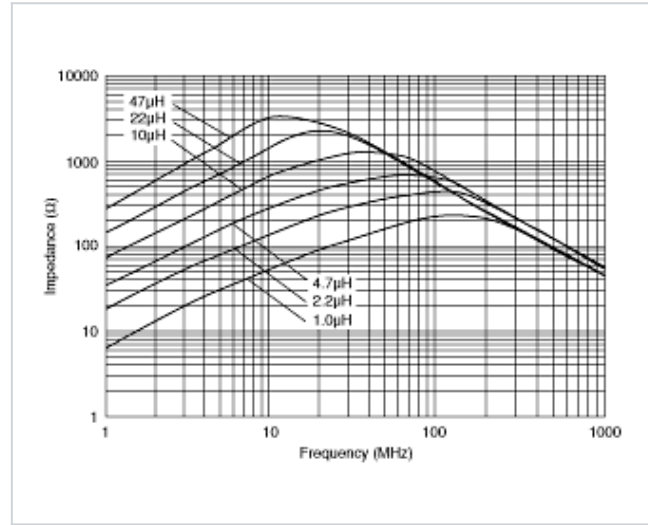
⚠ Attention

- This datasheet is downloaded from the website of Murata Manufacturing Co., Ltd. Therefore, it's specifications are subject to change or our products in it may be discontinued without advance notice. Please check with our sales representatives or product engineers before ordering.
- This datasheet has only typical specifications because there is no space for detailed specifications. Therefore, please review our product specifications or consult the approval sheet for product specifications before ordering.

▪ Inductance-Current characteristics (Typ.)



▪ Impedance-Frequency characteristics (Typ.)



This PDF data has only typical specifications because there is no space for detailed specifications.

Therefore, please review our product specifications or consult the approval sheet for product specifications before ordering.