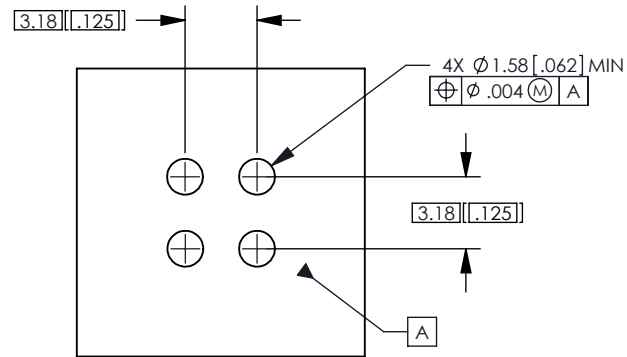


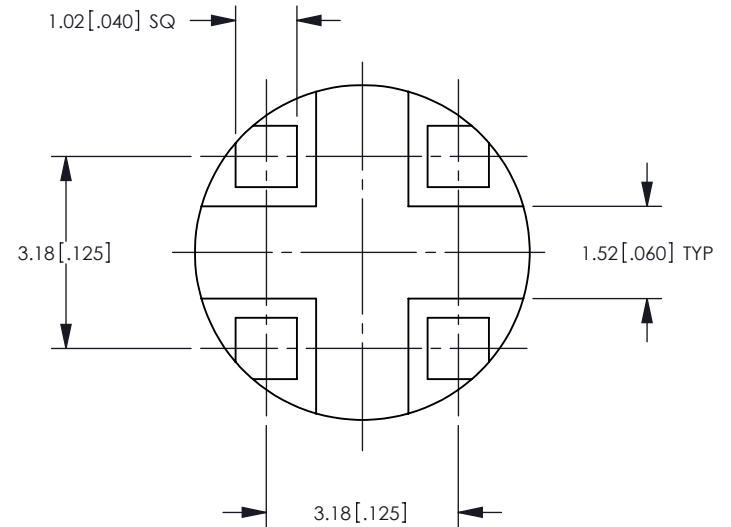
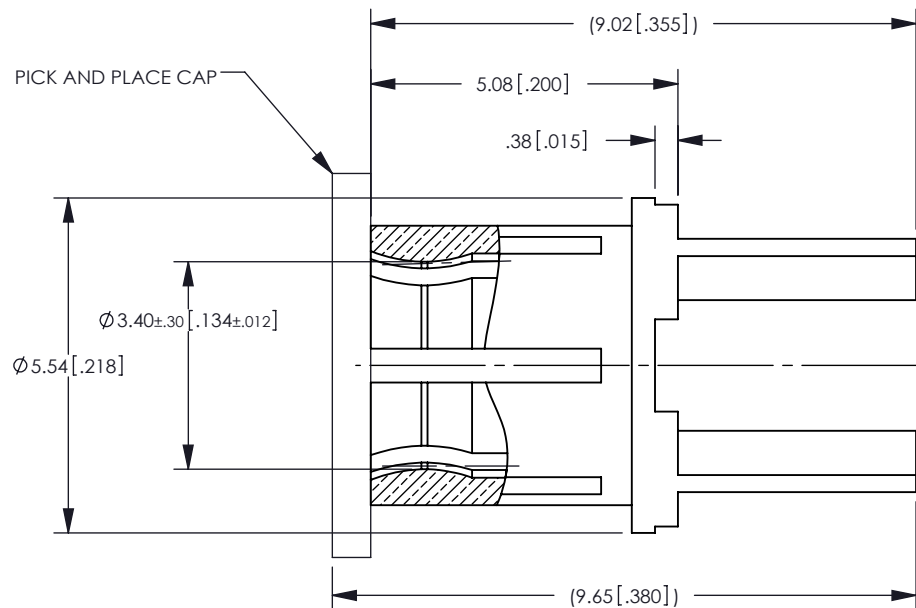
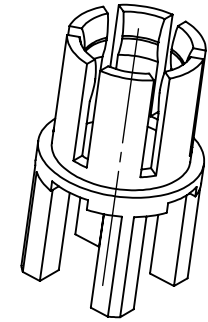
NOTES: UNLESS OTHERWISE SPECIFIED

- FOR GENERAL SERIES SPECIFICATIONS, SEE SD74-0000.
- MATERIAL SPECIFICATIONS:  
CONTACT: BERYLLIUM COPPER PER ASTM B196  
CAP: PTFE
- FINISH SPECIFICATIONS:  
0.8 TO 1.3  $\mu\text{m}$  GOLD PER ASTM-B4888 OVER  
1.3 TO 3.3  $\mu\text{m}$  NICKEL PER AMS-QQ-N-290
- ELECTRICAL SPECIFICATIONS:  
RATED CURRENT: 40 AMPS DC  
CONTACT RESISTANCE: 3.0 MILLIOHMS MAX
- MOTOROLA P/N 0988653T01, REV.C
- PARTS SHALL BE TAPE AND REEL PACKAGED, 400 PIECES PER REEL PER MOTOROLA SPECIFICATION 12M05019A73\_Z.

REV	DESCRIPTION	BY DATE	APPD
A	RELEASED PER ER12912	12/19/08 KEV	DAO



RECOMMENDED PCB LAYOUT



CATALOG P/N: 01422

PER ASME Y14.5M-1994  
UNLESS OTHERWISE SPECIFIED:  
DIMENSIONS ARE IN MM [INCHES]  
TOLERANCES:  
DECIMAL: .XX [X.X] ± .01 [0.3]  
.XXX [X.XX] ± .005 [0.13]  
.XXXX [X.XXX] ± .XXXX  
ANGLES: ± 2° SCALE: 8:1

**WINCHESTER ELECTRONICS**  
Winchester Electronics Corporation  
62 Barnes Industrial Road North  
Wallingford, Connecticut 06492

DRAWN		DATE		APPROVED		DATE	
Dcam		11/27/06		Dcam		01/08/09	
APPROVED		DATE		APPROVED		DATE	
WPM		01/08/09		DAO		01/08/09	

**POWER SNAP JACK RECEPTACLE**  
4 LEG THRU HOLE  
(MOTOROLA)

<b>A</b>	SD01422	SHT 1 OF 1	REV <b>A</b>
----------	---------	------------	-----------------